

FEATURES

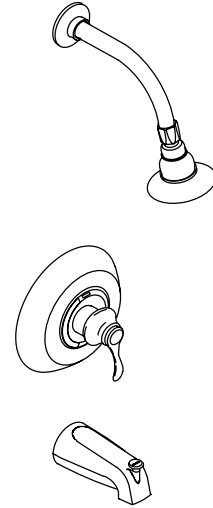
- Lever handle
- Packaged 12 per case

**BATH AND SHOWER FAUCET TRIM
K-P12007
ALSO K-P12014, K-P12021, K-P304-K
PROJECT PACK**

CODES/STANDARDS APPLICABLE

Specified model meets or exceeds the following:

- ASME/ANSI A112.18.1M
- ASSE/ANSI 1016
- CSA B125
- IAPMO/UPC



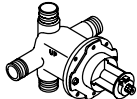
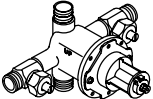
ADA

COLORS/FINISHES

- CP Polished Chrome
- PB Polished Brass
- Other Refer to Faucets Price Book for additional finishes

SPECIFIED MODEL: For complete faucet, both faucet trim and Rite-Temp valve must be specified.

Model	Description			
K-P12007-4	Bath and Shower Faucet Trim, With N.P.T. Diverter Bath Spout	<input type="checkbox"/> CP	<input type="checkbox"/> PB	<input type="checkbox"/> Other_____
K-P12007-4S	Bath and Shower Faucet Trim, With Slip-Fit Diverter Bath Spout	<input type="checkbox"/> CP	<input type="checkbox"/> PB	<input type="checkbox"/> Other_____
K-P12014-4	Shower Faucet Trim	<input type="checkbox"/> CP	<input type="checkbox"/> PB	<input type="checkbox"/> Other_____
K-P12021-4	Valve Only Trim	<input type="checkbox"/> CP	<input type="checkbox"/> PB	<input type="checkbox"/> Other_____

Required Accessory			
K-P304-K	Rite-Temp Valve Without Stops	<input type="checkbox"/> NA	
K-P304-KS	Rite-Temp Valve With Stops		<input type="checkbox"/> NA

PRODUCT SPECIFICATION:
Rite-Temp pressure-balancing single-control bath and shower faucet trim shall be of metal construction. Bath and shower trim shall include showerhead with arm and flange, faceplate with handle, and 4-7/8" diverter spout with N.P.T. or slip-fit connection. Shower only trim shall include showerhead with arm and flange, and faceplate with handle. Valve only trim shall include faceplate with handle. Trim shall be Kohler Model K-P_____-_____-_____- and Rite-Temp valve shall be K-P304-_____-NA. Project pack trim and valves are packaged twelve per case.

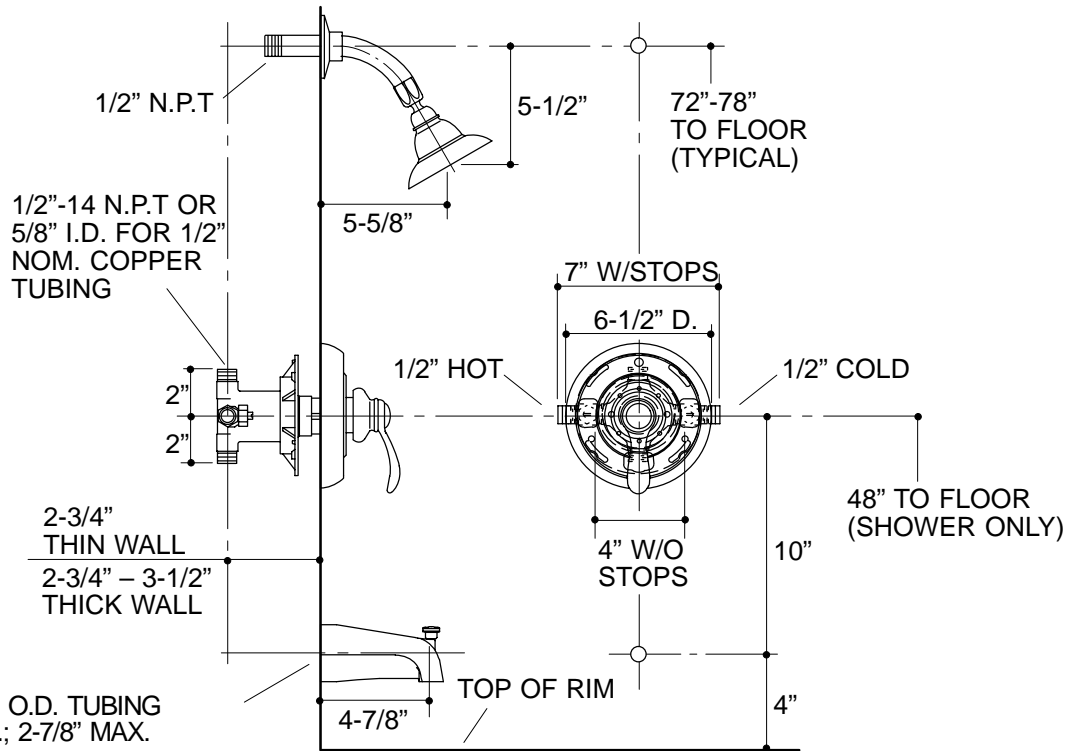
Optional Accessory		
K-12002	Plug Button Set	<input type="checkbox"/> Other _____

INSTALLATION NOTES

Avoid cross-flow conditions. Do not install shut-off device on either valve outlet.

Cap shower outlet if deck-mount spout, diverter, or handshower is connected to spout outlet.

Install straight pipe or tube drop of 7 to 18" with single elbow between valve and wall-mount spout.



18

PRODUCT DIAGRAM