

### TILE-IN UTILITY SINK K-6664

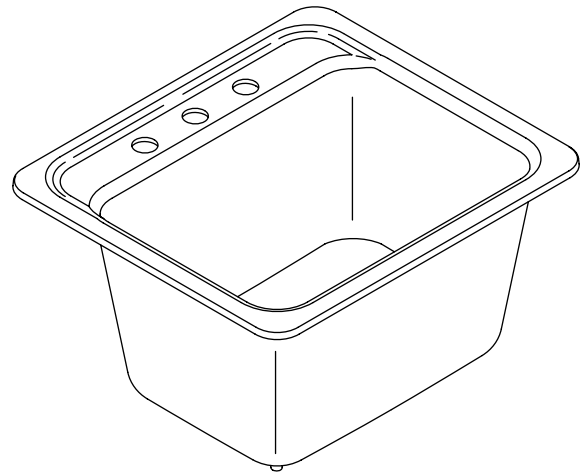
#### Features

- KOHLER cast iron
- Acid-resistant enamel finish
- Tile-in
- Single compartment
- 1-hole (-1), 2-hole (-2), or 3-hole (-3)
- 24" (61 cm) x 21" (53.3 cm)

#### Codes/Standards Applicable

Specified model meets or exceeds the following:

- ASME A112.19.1
- CSA B45.0
- CSA B45.2
- cUPC



#### Colors/Finishes

- 0: White
- Other: Refer to Price Book for additional colors/finishes

#### Accessories:

- CP: Polished Chrome
- Other: Refer to Price Book for additional colors/finishes

#### Specified Model

Model	Description	Colors/Finishes	
K-6664-1	1-hole sink	<input type="checkbox"/> 0	<input type="checkbox"/> Other_____
K-6664-2	2-hole sink	<input type="checkbox"/> 0	<input type="checkbox"/> Other_____
K-6664-3	3-hole sink	<input type="checkbox"/> 0	<input type="checkbox"/> Other_____
<b>Recommended Accessories</b>			
K-9000	P-Trap	<input type="checkbox"/> CP	
<b>Optional Accessories</b>			
K-8801	Duostrainer® sink strainer	<input type="checkbox"/> CP	<input type="checkbox"/> Other_____

#### Product Specification

The tile-in utility sink shall be 24" (61 cm) in length and 21" (53.3 cm) in width. Sink shall be made of cast iron with acid-resistant enamel finish. Sink shall be single compartment. Sink shall be 1-hole (-1), 2-hole (-2), or 3-hole (-3). Sink shall be Kohler Model K-6664-\_\_\_\_\_-\_\_\_\_\_.

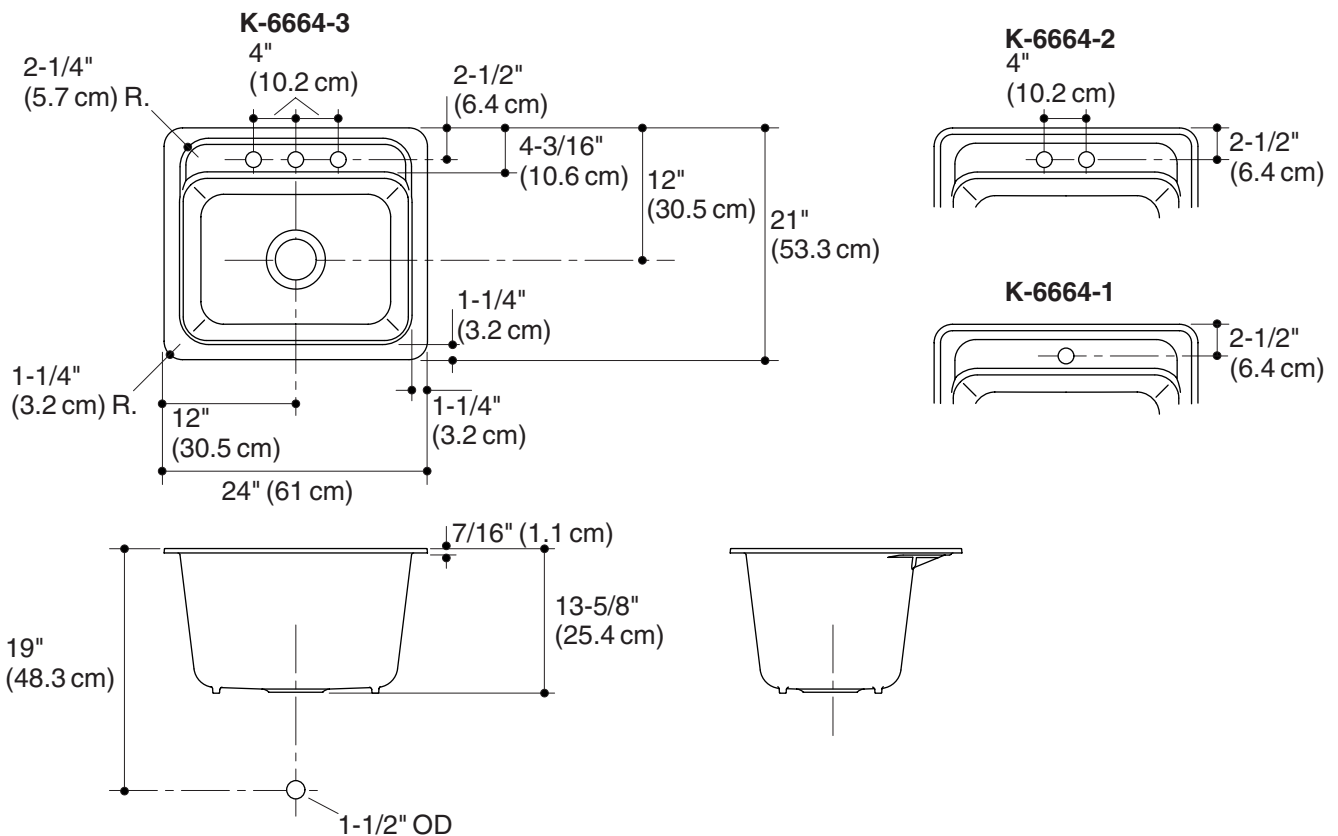
# GLEN FALLS™

## Technical Information

Fixture*:	
Basin area	21-1/2" (54.6 cm) x 15-1/2" (39.4 cm)
Water depth	13" (33 cm)
Drain holes	3-5/8" (9.2 cm) D.
Faucet holes	1-3/8" (3.5 cm) D.
* Approximate measurements for comparison only.	

## Installation Notes

Install this product according to the installation guide.



## Product Diagram