

Features

- 36" minimum base cabinet width
- Double-equal bowls
- 9" (229 mm) depth provides generous workspace
- Three oversized faucet holes with one oversized accessory hole to the right and one oversized accessory hole to the left
- Oversized holes allow for easy installation of faucets and accessories
- Rear drain placement increases cabinet storage space underneath sink
- Sink drain with strainer sold separately

Material

- KOHLER® enameled cast iron

Installation

- Undermount
- Undermount installation kit not included

Recommended Products/Accessories

- K-5133 Left-Bowl Sink Rack
- K-5135 Right-Bowl Sink Rack
- K-8801 Sink drain and strainer with tailpiece
- K-8799 Sink drain and strainer basket
- K-11352 Disposal Flange with Stopper
- K-9000 P-Trap
- 1411886 Undermount sink kit 23"
- K-23726 Drain treatment
- K-23725 Cast iron cleaner



Codes/Standards




ASME A112.19.1/CSA B45.2
IAPMO Certification

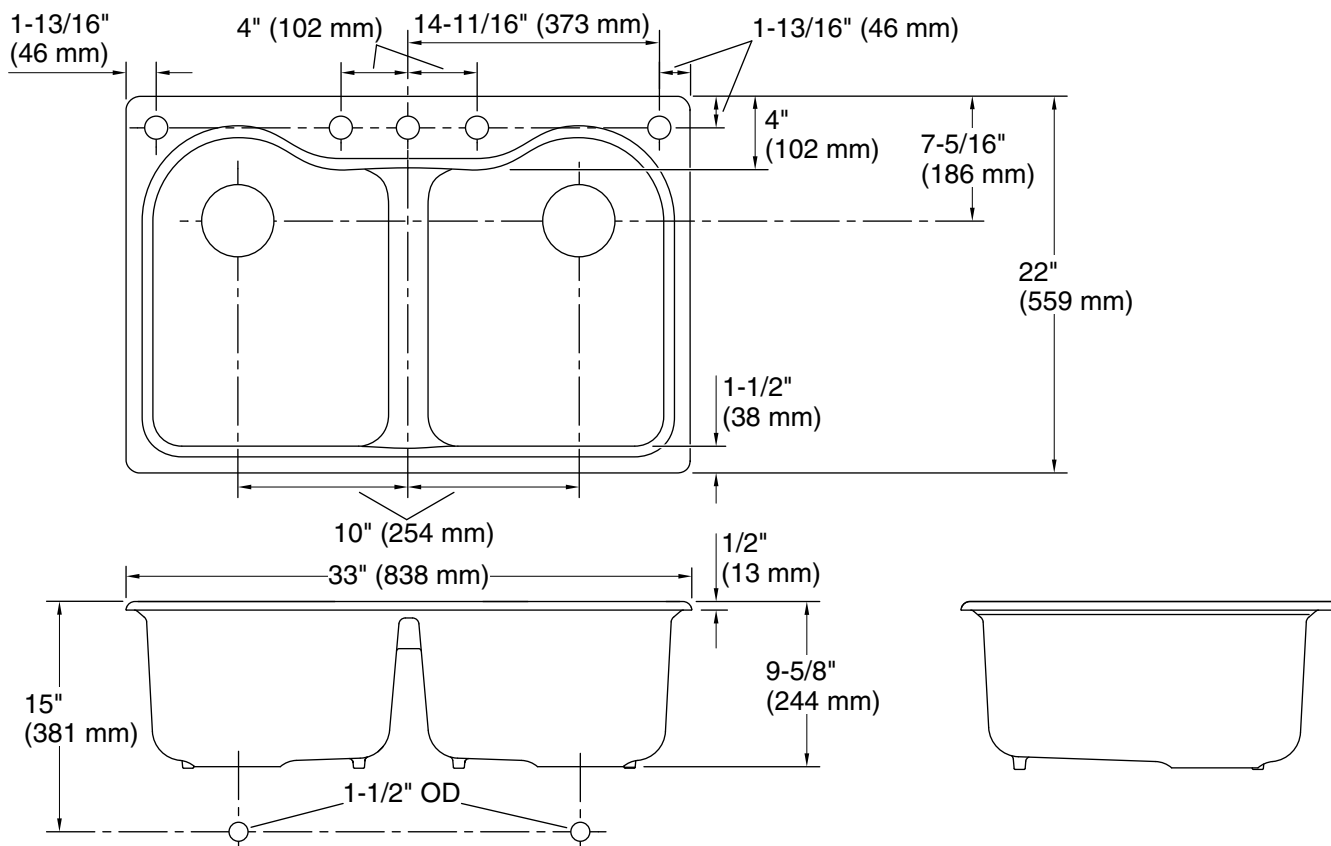
KOHLER® Enameled Cast Iron Kitchen and Bathroom Sink Lifetime Limited Warranty

See website for detailed warranty information.

Available Colors/Finishes

Color tiles intended for reference only.

Color	Code	Description
	0	White
	96	Biscuit
	7	Black Black™



Technical Information

All product dimensions are nominal.

Bowl configuration: Double equal

Min. base cabinet width: 36" (914 mm)

Bowl area (Left): Length: 14-1/8" (359 mm)
 Width: 16-1/4" (413 mm)
 Bowl depth: 9" (229 mm)

Bowl area (Right): Length: 14-1/8" (359 mm)
 Width: 16-1/4" (413 mm)
 Bowl depth: 9" (229 mm)

Number of deck holes: 5

Faucet hole(s): 2-3/8" (60 mm)

Drain hole: 3-7/8" (98 mm)

Template: 1125670-7, required, included

Notes

Install this product according to the installation instructions.

NOTICE: The countertop manufacturer or cutter must use the cut-out template provided with the product, or a current one provided by the Kohler Co. (Call 1-800-4-KOHLER.) Kohler Co. is not responsible for cut-out errors when the incorrect cut-out template is used.