

SELF-RIMMING KITCHEN SINK

K-5802

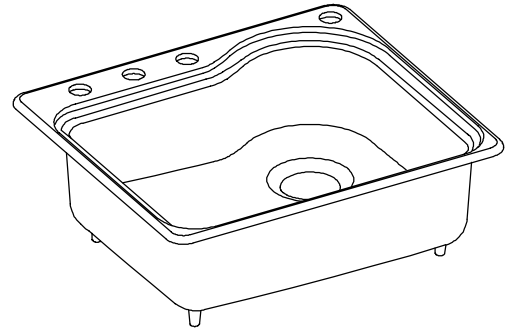
FEATURES

- 25" x 22"
- Cast iron
- Acid resistant enamel finish
- Self-rimming
- Single compartment
- 4-hole (K-5802-4) or 3-hole (K-5802-3) drilling

CODES/STANDARDS APPLICABLE

Specified model meets or exceeds the following:

- ASME/ANSI A112.19.1M
- Canadian Standards Association (CSA)



COLORS/FINISHES

- 0 White
- Other Refer to Fixtures Price Book for additional colors

Accessories:

- CP Polished Chrome
- 0 White
- Other Refer to Price Book for additional finishes

SPECIFIED MODEL:

Model	Description	Colors/Finishes	
K-5802-4	4-hole sink	<input type="checkbox"/> 0 White	<input type="checkbox"/> Other_____
K-5802-3	3-hole sink	<input type="checkbox"/> 0 White	<input type="checkbox"/> Other_____
Recommended Accessories			
K-9000	Trap	<input type="checkbox"/> CP	
Optional Accessories			
K-8801	Duostrainer sink strainer	<input type="checkbox"/> CP	<input type="checkbox"/> Other_____
K-6018	Bottom basin rack	<input type="checkbox"/> 0 White	<input type="checkbox"/> Other_____

PRODUCT SPECIFICATION:

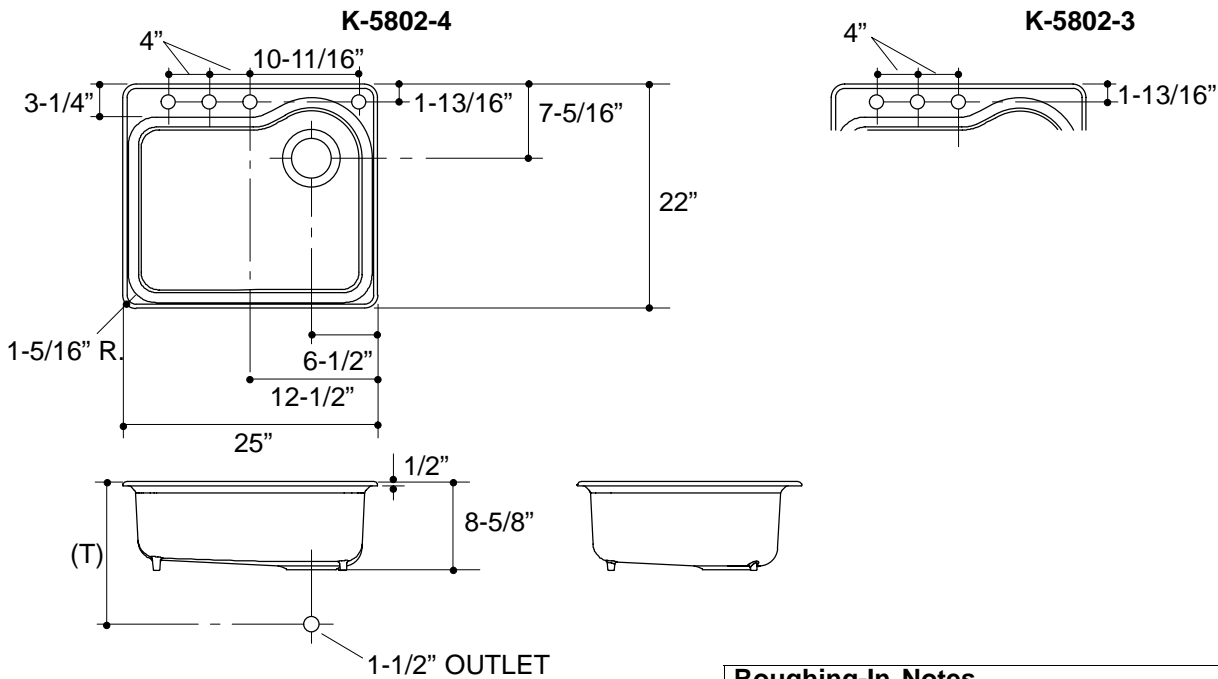
The self-rimming sink shall be 25" in length, and 22" in width. Sink shall be made of cast iron with acid resistant enamel finish. Sink shall have single compartment. Sink shall be 4-hole (K-5802-4) or 3-hole (K-5802-3) drilled. Sink shall be Kohler Model K-5802-_____ - _____.

MEADOWLAND™

PRODUCT INFORMATION

Fixture*:		basin area	water depth
Sink		22" x 18"	8"
Outlet	3-5/8" D.		
Faucet holes	1-3/8" D.		

* Approximate measurements for comparison only.



.85<116

Roughing-In Notes

(T) Drain 14".

Cutout 23-3/4" x 20-3/4" with 1" radius corners.

PRODUCT DIAGRAM

K-5802 Meadowland™ Sink

Page 2 of 2

86776-4-AA (-)

THE BOLD LOOK
KOHLER