

## Features

- Vitreous china.
- Wall-mount.
- 1-1/4" trap with brushed chrome strainer.
- Includes supply fitting.

## Components

Additional included component/s: Water Fountain, 1 1/4" Trap with Strainer, Access Plate, Supply Valve Sub Assembly, and Hanger Accessory Pack.



## Codes/Standards

ASME A112.19.2/CSA B45.1

NSF 61

NSF 372

All applicable US Federal and State material regulations

## KOHLER® One-Year Limited Warranty

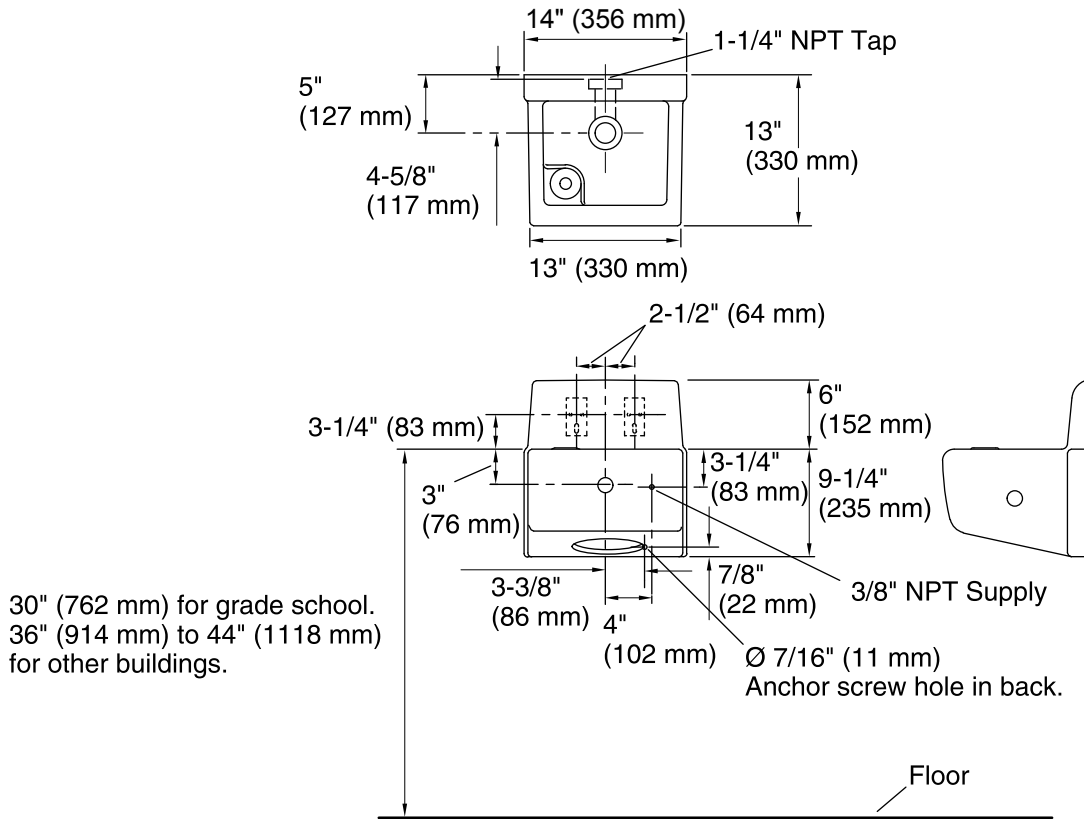
See website for detailed warranty information.

## Available Color/Finishes

*Color tiles intended for reference only.*

Color	Code	Description
-------	------	-------------

	0	White
--	---	-------



### Technical Information

All product dimensions are nominal.

Bowl configuration: Single

Installation: Wall-mount

### Notes

Install this product according to the installation instructions.