

### Features

- Siphon jet.
- 3/4" (19 mm) top spud.
- 0.5 or 1.0 gpf (1.9 or 3.8 lpf) based on valve selected.
- Siphon jet.
- Includes inlet and outlet spuds and hangers.
- Includes anti-backsplash wall.
- 14-1/2" (368 mm) extended rim.
- 0.5 or 1.0 gpf (1.9 or 3.8 lpf).

### Material

- Vitreous china.

### Recommended Products/Accessories

- K-23726 Drain treatment
- K-23725 Cast iron cleaner
- K-7526 Touchless hybrid 0.5 gpf urinal flushometer
- K-7537 Exposed hybrid 0.5 gpf washdown urinal flushometer
- K-7537-RF Exposed hybrid 0.5 gpf urinal flushometer retrofit
- K-13519 Manual 0.5 GPF Urinal Flushometer
- K-13519-RF Manual 0.5 gpf urinal flushometer
- K-76318 Manual 0.5 GPF Urinal Flushometer
- K-7527 Touchless hybrid 1.0 gpf washdown urinal flushometer
- K-7542 Exposed hybrid 1.0 gpf urinal flushometer
- K-76319 Manual 1.0 GPF Urinal Flushometer

### Included Components

Additional Components:

- 2" outlet spud
- 3/4" inlet spud
- Hanger(s)



ADA

### Codes/Standards




ASME A112.19.2/CSA B45.1  
DOE - Energy Policy Act 1992  
EPA WaterSense®  
ADA  
ICC/ANSI A117.1

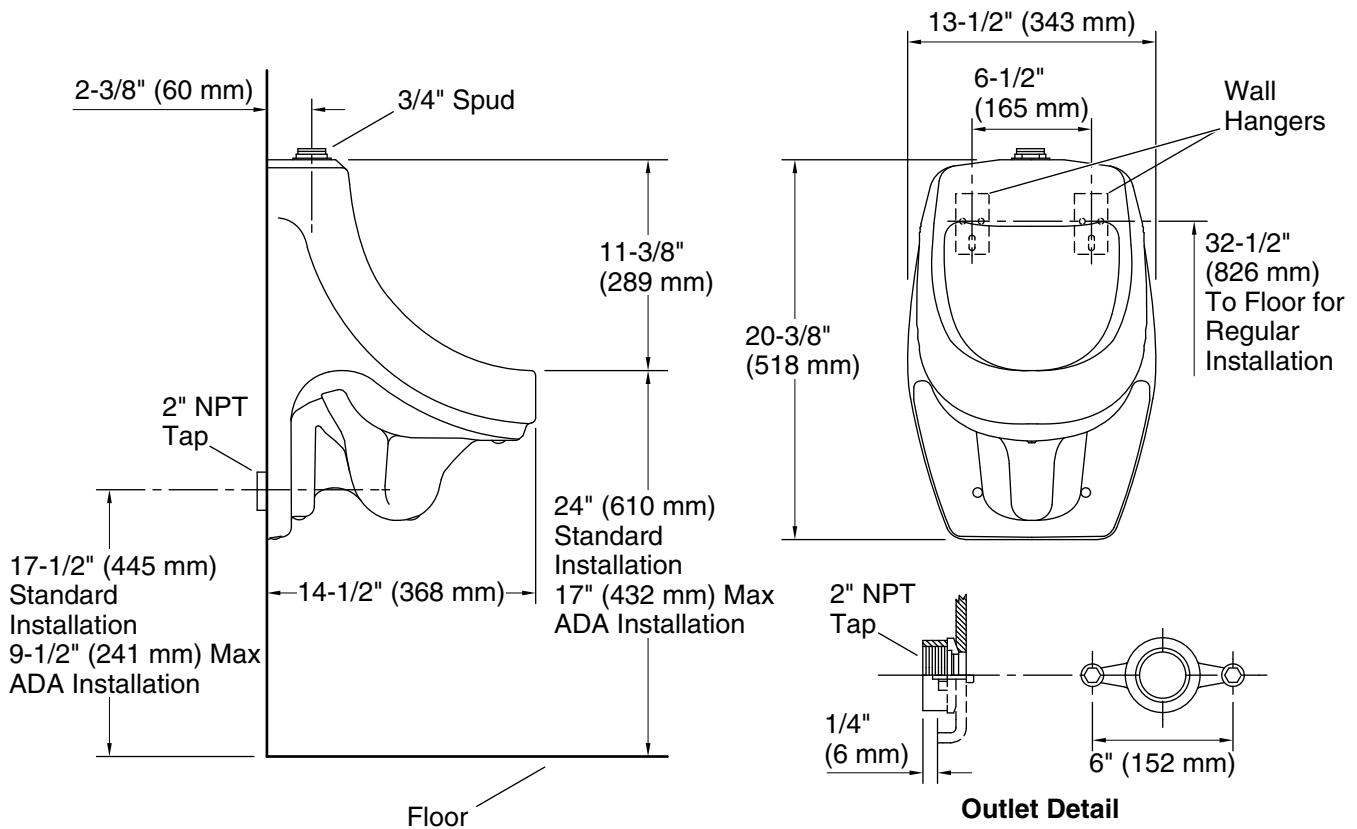
### KOHLER® One-Year Limited Warranty

See website for detailed warranty information.

### Available Colors/Finishes

*Color tiles intended for reference only.*

Color	Code	Description
	0	White
	96	Biscuit
	7	Black Black™



### Technical Information

All product dimensions are nominal.

Flush outlet technology:	Siphon jet
Spud size:	3/4", Inlet, Top
Max. Water per Flush:	0.5 gal (1.9 L)

### Notes

Install this product according to the installation guide.

Refer to manufacturer's instructions and local codes for flushometer requirements.

Recommended ADA outlet spud height will account for normal product variation.

For ADA compliance, measurement must be 17" (432 mm) or less from the floor to the top of the lip.

ADA compliant when installed to the specific requirements of these regulations.