

BATH VALVE TRIM
K-T6919
ALSO K-301-K

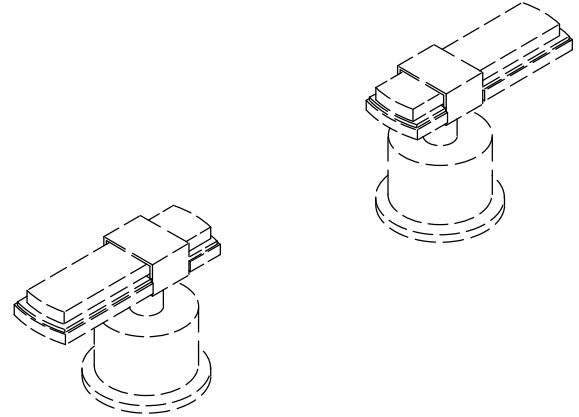
FEATURES

- Brass construction
- Bath- or deck-mount
- Available with square or lever handles

CODES/STANDARDS APPLICABLE

Specified model meets or exceeds the following:

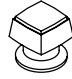
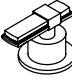
- ASME/ANSI A112.18.1M
- CSA B125
- IAPMO/UPC



COLORS/FINISHES

- CP Polished Chrome
- PB Polished Brass

SPECIFIED MODEL: For complete faucet, both faucet trim and valve system must be specified.

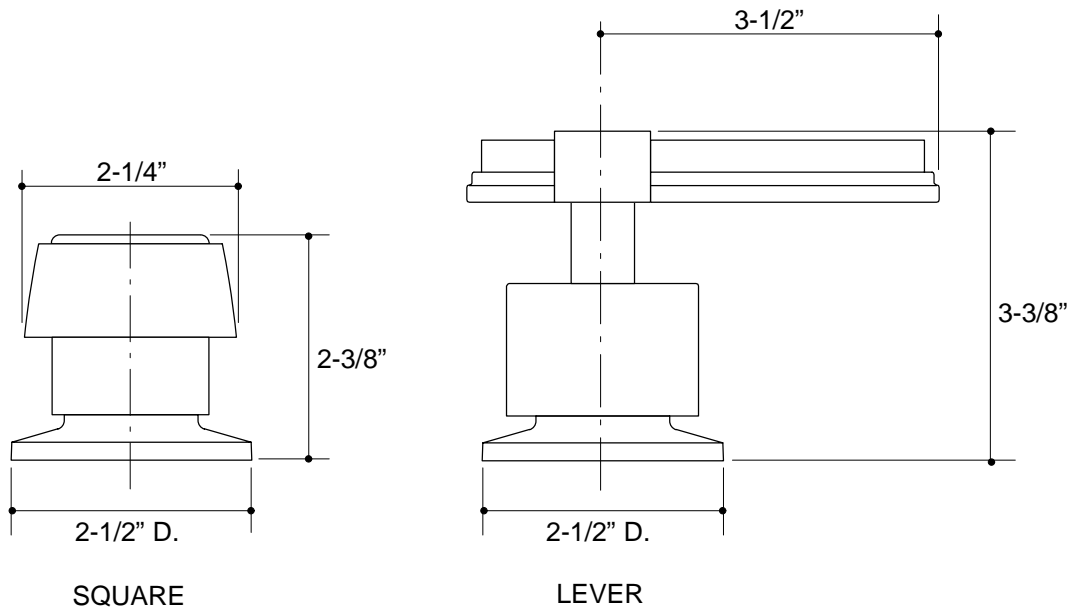
Model	Description		 ADA
K-T6919-2	With Square Handles	<input type="checkbox"/> CP <input type="checkbox"/> PB	
K-T6919-4	With Lever Handles		<input type="checkbox"/> CP <input type="checkbox"/> PB

Required Accessory		
K-301-K	3/4" High-Flow Valve System	<input type="checkbox"/> NA

Optional Accessories on Page 2.

PRODUCT SPECIFICATION:
Two-handle bath- or deck-mount high-flow bath valve trim shall be of brass construction. Product shall include square or lever handles. Faucet trim shall be Kohler Model K-T6919-_____-_____- and valve system shall be K-301-K-NA.

Optional Accessories					
	K-9917	Large Handle Stone Inset, Single			<input type="checkbox"/> Other_____
	K-9923	Large Handle Metal Inset, Single	<input type="checkbox"/> CP	<input type="checkbox"/> PB	<input type="checkbox"/> Other_____
	K-9926	Large Handle Ceramic Inset, Single			<input type="checkbox"/> Other_____
	K-9932	Large Handle Champeve Inset, Single			<input type="checkbox"/> Other_____
	K-9970	Large Lever Metal Insets, Pair	<input type="checkbox"/> CP	<input type="checkbox"/> PB	<input type="checkbox"/> Other_____
	K-9984	Large Lever Stone Insets, Pair			<input type="checkbox"/> Other_____



PRODUCT DIAGRAM