

Alteo® | K-T45108-4

Rite-Temp® shower trim kit with push-button diverter and lever handle, 2.5 gpm

Features

- Single lever handle allows for both on/off activation and temperature setting
- Integrated push-button diverter
- Includes single-function 2.5 gpm (9.5 lpm) showerhead with Katalyst® air-induction technology
- MasterClean™ sprayface features an easy-to-clean surface that withstands mineral buildup and maximizes spray performance
- Includes faceplate with handle, shower arm with flange and showerhead
- Intended for use with Rite-Temp® or HiFlow Rite-Temp® valves
- Coordinates with Alteo faucets, accessories, and showering components to complete your bathroom
- Pressure-balancing diaphragm technology maintains outlet temperature within +/-3°F during water pressure fluctuations



Codes/Standards

ASME A112.18.1/CSA B125.1
DOE - Energy Policy Act 1992

Technical Information

All product dimensions are nominal.

Handle

Handle Style/ Type: Lever

Flow Rate

Shower/Rainhead Rated 2.5 gpm (9.5 l/min)
Maximum Flow:

Valves

Required Valves: Diverter, Pressure Balance

Material

- Premium material construction with metal handle ensures reliability and durability
 - KOHLER finishes resist corrosion and tarnishing
-

Recommended Products/Accessories

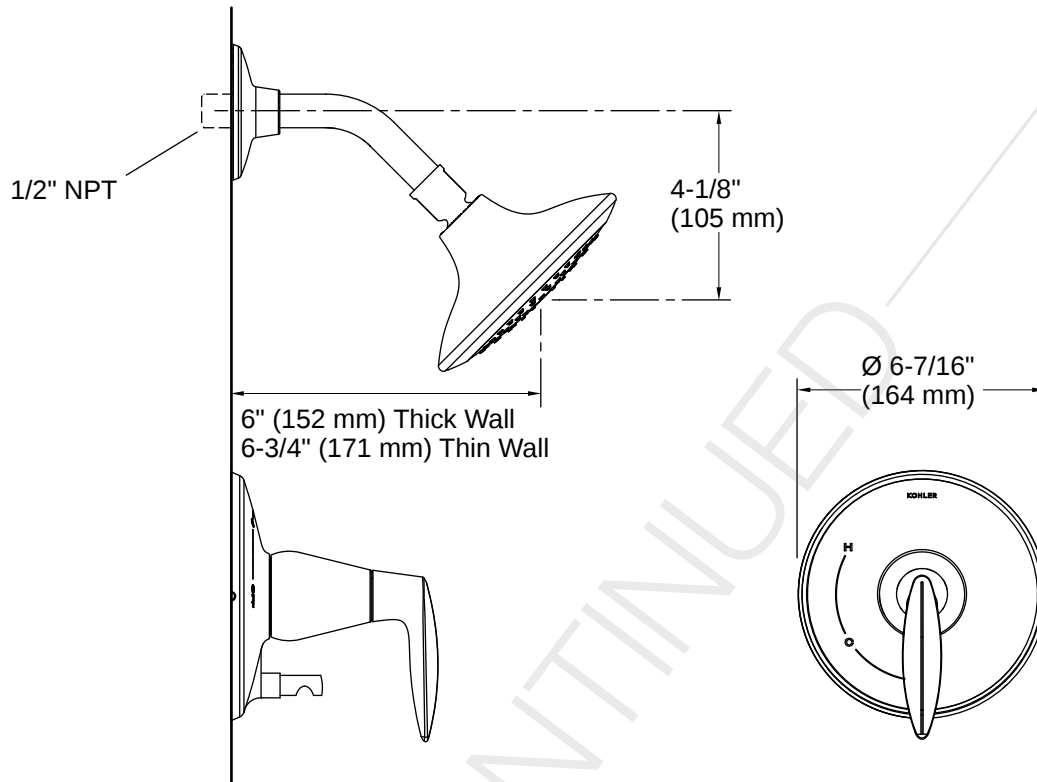
K-23723 Faucet cleaner

Warranty

See website for detailed warranty information.

KOHLER® Faucet Lifetime Limited Warranty





Installation

- Trim only; requires valve to complete installation (sold separately)

Installation Notes

Install this product according to the installation instructions.

Avoid cross-flow conditions. Do not install shut-off device on either valve outlet.

Install straight pipe or tube drop of 7" (178 mm) to 18" (457 mm) with single elbow between the valve and wall-mount spout.

