

FEATURES

- Brass construction
- Available with scroll or traditional handle
- Push button diverter

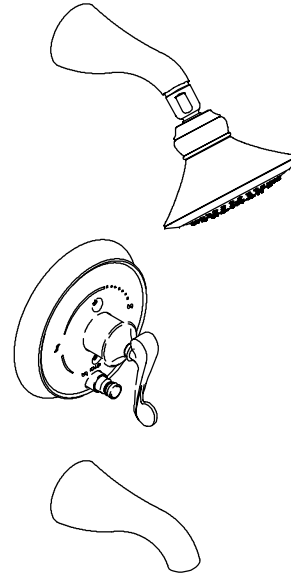
**BATH AND SHOWER FAUCET TRIM
K-T16115**

ALSO K-T16116, K-T16139, K-305

CODES/STANDARDS APPLICABLE

Specified model meets or exceeds the following:



- ASME/ANSI A112.18.1
- ASSE/ANSI 1016
- CSA B125 (K-T16115, K-T6116)
- IAPMO/UPC (K-T16115, K-T6116)



COLORS/FINISHES

- CP Polished Chrome
- PB Polished Brass
- Other Refer to Faucets Price Book for additional finishes

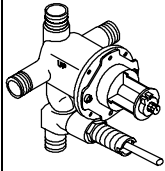
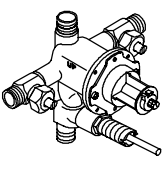
SPECIFIED MODEL: For complete faucet, both faucet trim and Rite-Temp valve must be specified.

Model	Description	 <input type="checkbox"/> ADA			 <input type="checkbox"/> ADA		
		<input type="checkbox"/> CP	<input type="checkbox"/> PB	<input type="checkbox"/> Other _____	<input type="checkbox"/> CP	<input type="checkbox"/> PB	<input type="checkbox"/> Other _____
K-T16115-4	Bath and Shower Trim, Scroll Handle	<input type="checkbox"/> CP	<input type="checkbox"/> PB	<input type="checkbox"/> Other _____			
K-T16115-4A	Bath and Shower Trim, Traditional Handle				<input type="checkbox"/> CP	<input type="checkbox"/> PB	<input type="checkbox"/> Other _____
K-T16116-4	Shower Only Trim, Scroll Handle	<input type="checkbox"/> CP	<input type="checkbox"/> PB	<input type="checkbox"/> Other _____			
K-T16116-4A	Shower Only Trim, Traditional Handle				<input type="checkbox"/> CP	<input type="checkbox"/> PB	<input type="checkbox"/> Other _____
K-T16139-4	Valve Only Trim, Scroll Handle	<input type="checkbox"/> CP	<input type="checkbox"/> PB	<input type="checkbox"/> Other _____			
K-T16139-4A	Valve Only Trim, Traditional Handle				<input type="checkbox"/> CP	<input type="checkbox"/> PB	<input type="checkbox"/> Other _____

Required Accessory on Page 2.

PRODUCT SPECIFICATION:

Rite-Temp pressure-balancing single-control bath and shower faucet trim shall be of brass construction. Bath and shower trim shall include showerhead with arm and flange, 5-3/4" (14.6cm) non-diverter spout with N.P.T. connection, and faceplate with handle and push-button diverter. Shower only trim shall include showerhead with arm and flange, and faceplate with handle and push-button diverter. Valve only trim shall include faceplate with handle and push-button diverter. Faucet trim shall be K-T _____ - _____ - _____ and Rite-Temp valve shall be K-305- _____ -NA.

Required Accessory			
K-305-K	Rite-Temp Valve Without Stops	<input type="checkbox"/> NA	
K-305-KS	Rite-Temp Valve With Stops		<input type="checkbox"/> NA

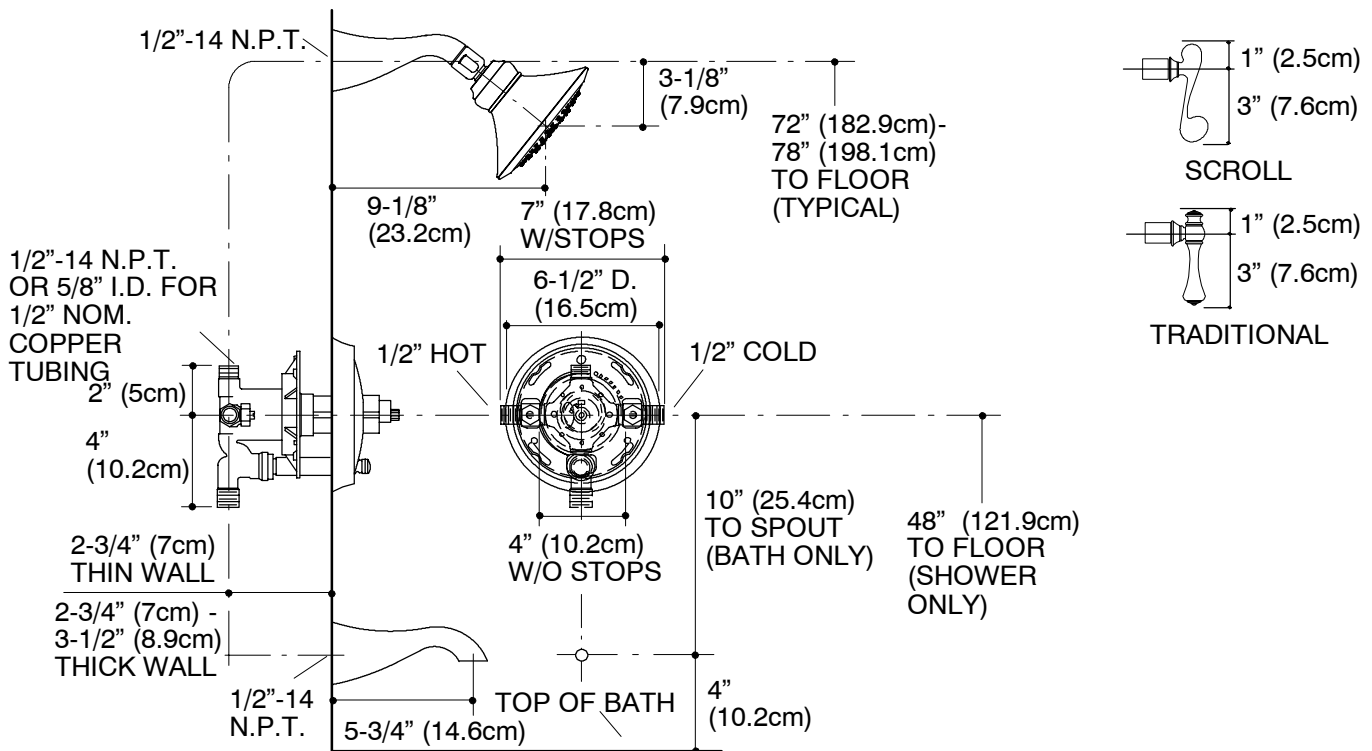
INSTALLATION NOTES

Install this product according to the installation guide.

Avoid cross-flow conditions. Do not install shut-off device on either valve outlet.

Cap shower outlet if deck-mount spout, diverter, or handshower is connected to spout outlet.

Install straight pipe or tube drop of 7" (17.8cm) to 18" (45.7cm) with single elbow between valve and wall-mount spout.



18

PRODUCT DIAGRAM