

**SHOWER FAUCET TRIM**  
**K-T13134**  
**ALSO K-T13135**

ADA

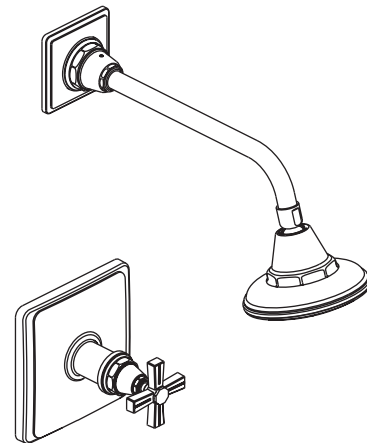
**Features**

- Metal construction
- Intended for use with Rite-Temp or HiFlow Rite-Temp valves
- Available with cross or lever handles
- For use with non-diverter valve

**Codes/Standards Applicable**

Specified model meets or exceeds the following:

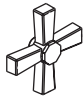
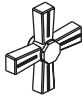


- ASME A112.18.1
- CSA B125
- IAPMO/UPC
- ADA



**Colors/Finishes**

- CP: Polished Chrome
- Other: Refer to Price Book for additional colors/finishes

**Specified Model**

Model	Description	 ADA		 ADA		 ADA		 ADA	
		<input type="checkbox"/> CP	<input type="checkbox"/> Other	<input type="checkbox"/> CP	<input type="checkbox"/> Other	<input type="checkbox"/> CP	<input type="checkbox"/> Other	<input type="checkbox"/> CP	<input type="checkbox"/> Other
K-T13134-3A*	Shower trim with plain cross handles	<input type="checkbox"/>	<input type="checkbox"/>						
K-T13134-3B*	Shower trim with grooved cross handles			<input type="checkbox"/>	<input type="checkbox"/>				
K-T13134-4A*	Shower trim with plain lever handles					<input type="checkbox"/>	<input type="checkbox"/>		
K-T13134-4B*	Shower trim with grooved lever handles							<input type="checkbox"/>	<input type="checkbox"/>
K-T13135-3A*	Valve trim with plain cross handles	<input type="checkbox"/>	<input type="checkbox"/>						
KT-13135-3B*	Valve trim with grooved cross handles			<input type="checkbox"/>	<input type="checkbox"/>				

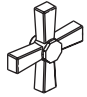
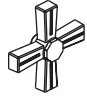


\* Requires either K-304-K, K-304-KS, or K-306-KS valve

Specified Model continued on page 2.

**Product Specification**

Rite-Temp pressure-balancing single-control shower faucet trim shall be of metal construction. Shower trim shall include showerhead with arm and flange, and faceplate with handle. Valve only trim shall include faceplate with handle. Faucet trim shall be K-\_\_\_\_\_-\_\_\_\_\_-\_\_\_\_\_- and Rite-Temp valve shall be K-\_\_\_\_\_-\_\_\_\_\_-NA.

# PINSTRIBE™

Model	Description	 ADA	 ADA	 ADA	 ADA
K-T13135-4A*	Valve trim with plain lever handles			<input type="checkbox"/> CP <input type="checkbox"/> Other	
KT-13135-4B*	Valve trim with grooved lever handles				<input type="checkbox"/> CP <input type="checkbox"/> Other

\* Requires either K-304-K, K-304-KS, or K-306-KS valve

## Technical Information

Mexico faucets and fittings have an **M** after the first sequence of numbers (such as K-12345 **M**).

Applicable valve\*:

Rite-Temp valve without stops	K-304-K
Rite-Temp valve with stops	K-304-KS
HiFlow Rite-Temp valve with integral stops	K-306-KS

\*Valve system required (not shown).

Handle is ADA compliant



## Installation Notes



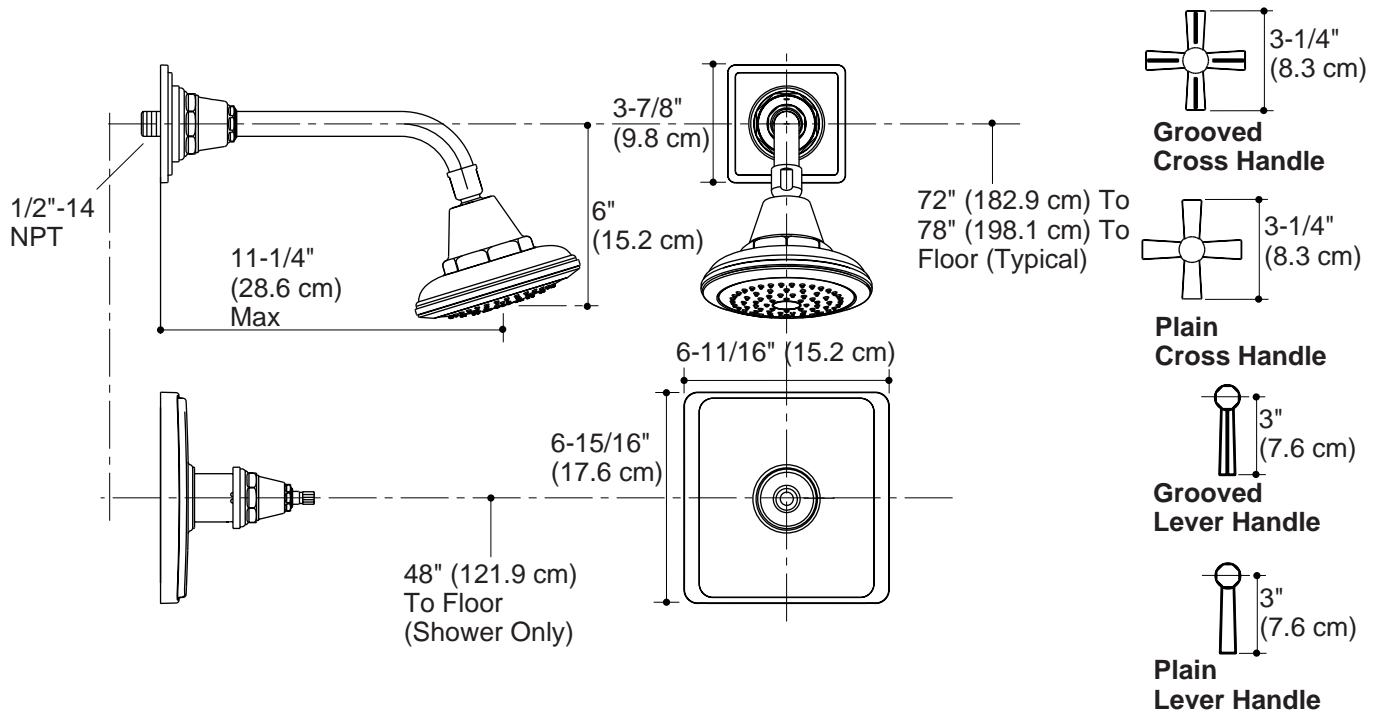
**CAUTION: Risk of damage to the K-306-KS valve assembly.** When using the K-306-KS valve in a fiberglass or acrylic installation, use the thin wall installation kit (88526).

Install this product according to the installation guide.

Avoid cross-flow conditions. Do not install shut-off device on either valve outlet.

Cap shower outlet if deck-mount spout, diverter, or handshower is connected to spout outlet.

Install straight pipe or tube drop of 7" (17.8 cm) to 18" (45.7 cm) with single elbow between valve and wall-mount spout.



## Product Diagram