

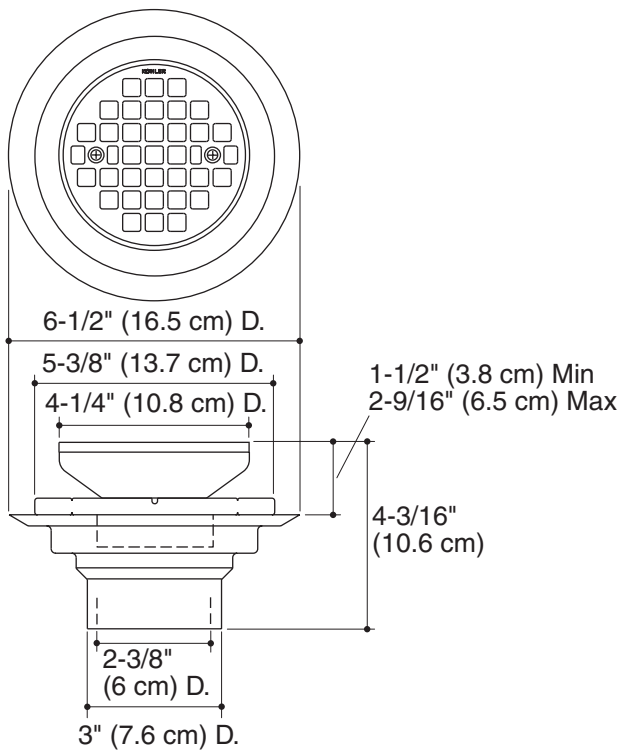
Product Information

Applicable product:	
Tile-in shower drain – round shaped grid plate	K-9135
Tile-in shower drain – square shaped grid plate	K-9136
plate	

Installation Notes

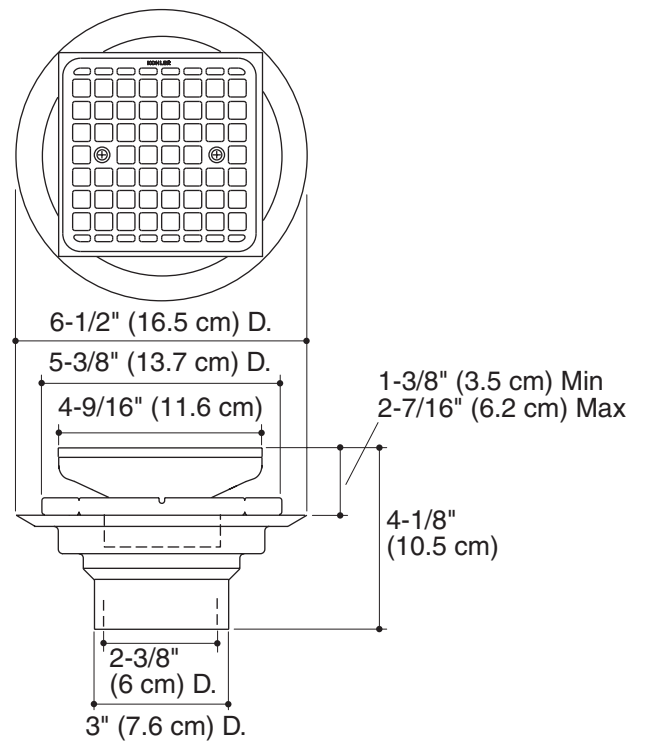
Install this product according to the installation guide.

Collar is reversible to accommodate a variety of tile thicknesses.



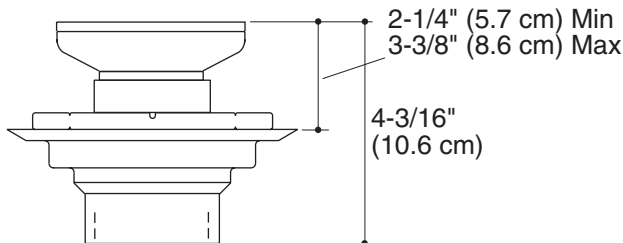
K-9135

Collar with Threads Facing Down

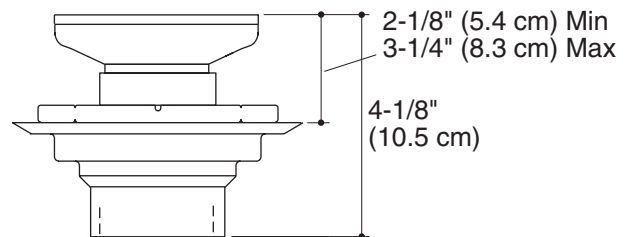


K-9136

Collar with Threads Facing Down



Collar with Threads Facing Up



Collar with Threads Facing Up