

Features

- End drain.
- Integral lumbar support.
- Textured bottom surface.
- Pre-drilled for grab bars.
- 66" (1676 mm) x 32" (813 mm) x 18-1/4" (464 mm)

Material

- Cast iron with Safeguard® finish.

Hydrotherapy

- Five fully adjustable Flexjet™ hydrotherapy jets for water flow and direction.
- Built-in 1500 W heater.
- Lighted keypad control.
- Remote control.

Installation

- Drop-in

Required Accessories

K-9621 Hand Grab Bars
K-9695 5-Jet Trim Kit

Recommended Accessories

K-7161-AF Bath Drain
K-1179 Vinyl Tiling-in Bead
K-1491 Bath/Whirlpool Pillow
K-1601 Bath/Whirlpool Footstop
K-1703 Whirlpool Remote Control
K-7213 27" Cable Bath Drain
K-7214 27" Cable Bath Drain
K-9497 2-1/2" Keypad Trim



ADA

Codes/Standards

ASME A112.19.1/CSA B45.2
ASME A112.19.7/CSA B45.10
ASTM F462
ADA
ICC/ANSI A117.1
CARB P2



KOHLER® Lifetime Limited Warranty for Cast Iron Components

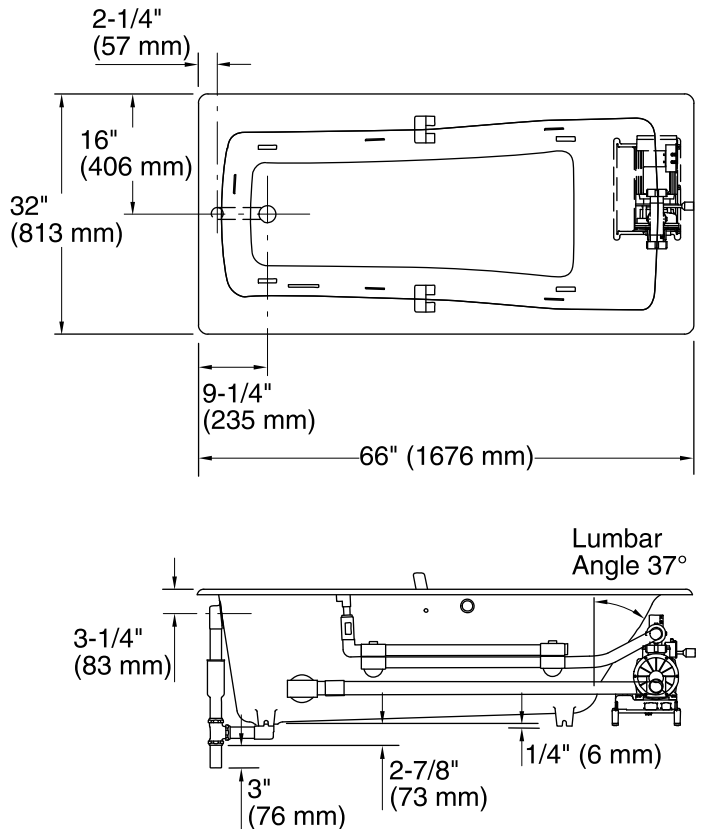
See website for detailed warranty information.

Available Color/Finishes

Color tiles intended for reference only.

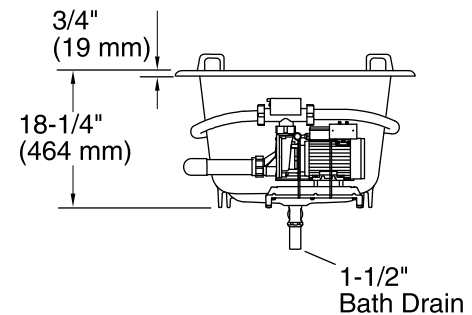
Color	Code	Description
-------	------	-------------

	0	White
	96	Biscuit



No change in measurements if connected with drain illustrated. (K-7161-AF)

Pump/Control Access
34" (864 mm) W x 15" (381 mm) H



Required Electrical Service

One dedicated circuit required, protected with Class A Ground-Fault Circuit-Interrupter (GFCI) or Residual Current Device (RCD).

Pump, Heater: 240 V, 20 A, 50/60 Hz

Technical Information

All product dimensions are nominal.

Installation:	Drop-in
Drain location:	End
Basin area, bottom:	47" x 21" (1194 mm x 533 mm)
Basin area, top:	57" x 25" (1448 mm x 635 mm)
Weight:	420 lbs (190.5 kg)
Minimum floor load:	62 lbs/ft ² (302.7 kg/m ²)
Water depth:	13" (330 mm)
Water capacity:	55 gal (208.2 L)
Cutout:	Drop-in, 64-1/4" x 30-1/2" (1632 mm x 775 mm)
Electrical component rating:	Pump: 240 V, 11 A, 50/60 Hz Heater: 240 V, 6 A, 50/60 Hz, 1500 W
Pump speed:	Variable
Minimum flat for door:	2-1/8" (54 mm)

Notes

Measure your actual product for rough-in details.

Install this product according to the installation instructions.

The hot water supply should be 70% of the capacity of the bath or greater. Installations will vary.

Cast iron whirlpools are extremely heavy, making some drop-in installations difficult. Splitting the deck/surround is recommended if installing into a deck.

ADA compliant when installed to the specific requirements of these regulations.