

Features

- Clean lines and streamlined style add contemporary appeal to any bathroom
- 14" apron height for easy entry and exit
- Standard size simplifies installation in remodels
- Integral flange helps prevent water from seeping behind wall and simplifies alcove installation
- Safeguard® slip-resistant surface provides excellent traction underfoot
- Wide ledges for extra storage space
- Integral apron
- Integral lumbar support

Material

- KOHLER® enameled cast iron

Installation

- Left drain
- Alcove
- Left drain

Recommended Products/Accessories

- K-7213 27" Cable Bath Drain
- K-7214 27" Cable Bath Drain
- K-706000-D3 Frameless Sliding Bath Door
- K-706000-L 62" H sliding bath door with 1/4"-thick glass
- K-706004-D3 Frameless Sliding Bath Door
- K-706004-L Frameless Sliding Bath Door
- K-23726 Drain treatment
- K-23725 Cast iron cleaner
- K-31796 Above-the-floor bath drain kit
- K-31798 Bath drain kit



ADA

Codes/Standards

ASME A112.19.1/CSA B45.2
ASTM F462
ADA
ICC/ANSI A117.1
IAPMO Certification




KOHLER® Enameled Cast Iron Bath and Shower Base Lifetime Limited Warranty

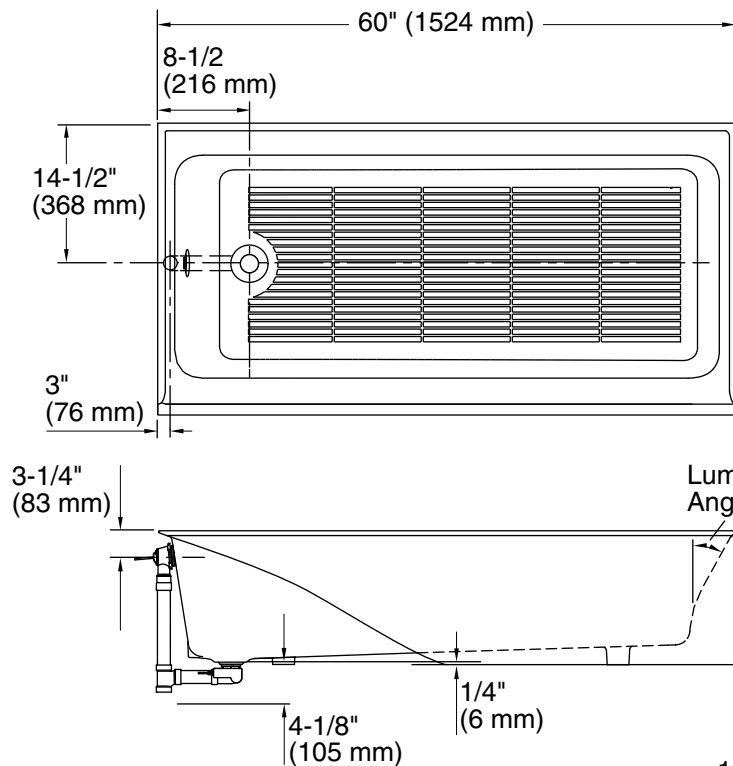
See website for detailed warranty information.

Available Colors/Finishes

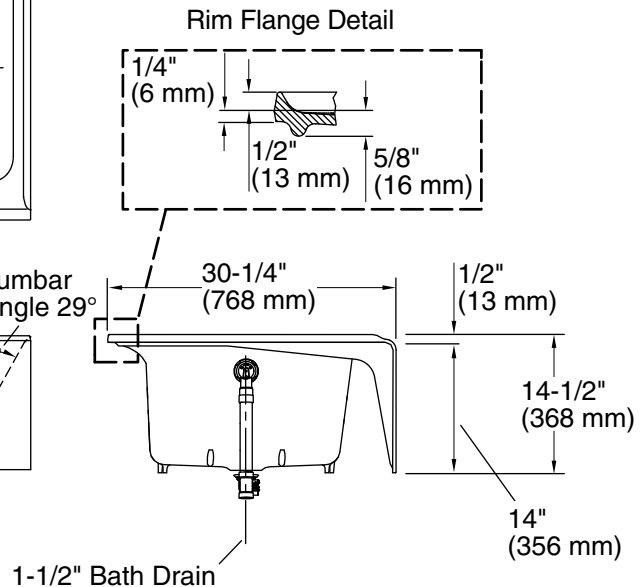
Color tiles intended for reference only.

| Color | Code | Description |
|-------|------|-------------|
|-------|------|-------------|

| | | |
|---|----|-------------|
|  | 0 | White |
|  | 96 | Biscuit |
|  | 17 | Teal |
|  | 42 | Aspen Green |
|  | 34 | Fresh Green |



No change in measurement if connected with drain illustrated. (K-37383)



Technical Information

All product dimensions are nominal.

| | |
|------------------------|---|
| Drain location: | Left |
| Basin area, bottom: | 48-3/4" x 19-5/16" (1238 mm x 491 mm) |
| Basin area, top: | 54-11/16" x 21-3/16" (1389 mm x 538 mm) |
| Weight: | 310 lbs (140.6 kg) |
| Minimum floor load: | 52 lbs/ft ² (253.9 kg/m ²) |
| Water depth: | 9" (229 mm) |
| Water capacity: | 32.6 gal (123.4 L) |
| Minimum flat for door: | 2-11/16" (69 mm) |

Notes

Measure your actual product for rough-in details.

Install this product according to the installation instructions.

The hot water supply should be 70% of the capacity of the bath or greater. Installations will vary.

ADA compliant when installed to the specific requirements of these regulations.