

BEFORE YOU BEGIN

HOW TO USE THESE INSTRUCTIONS

Please read these instructions carefully to familiarize yourself with the required tools, materials, and installation sequences. Follow the sections that pertain to your particular installation. This will help you avoid costly mistakes. In addition to proper installation, read all operating and safety instructions.

All information in these instructions is based on the latest product information available at the time of publication. Kohler Co. reserves the right to make changes in product characteristics, packaging, or availability at any time without notice.

NOTES

- The valves installed in this faucet operate as follows: turn clockwise to close the cold valve, and turn counterclockwise to close the hot valve.
- If the supply tubes must be cut, be sure to allow for required penetration into the shut-off valve.
- Shut off the main water supply.
- Observe all local plumbing codes.

- Carefully inspect the waste and supply tubing for any sign of damage. Replace if necessary.
- Do not use plumbers putty on marble or plastic surfaces.

FOR NEW INSTALLATIONS

- Assemble the faucet and drain to the lavatory before installing the lavatory.

REQUIRED TOOLS AND MATERIALS

- Screwdrivers
- Adjustable or open end wrench
- Tubing cutter and deburring tool
- Plumbers Putty
- Thread sealant
- Supply Tubes

OPTIONAL TOOLS AND MATERIALS

- Supply stops
- Pliers
- Tubing bender

ROUGHING-IN DIMENSIONS

Refer to Fig. #1 for widespread lavatory dimensional requirements.

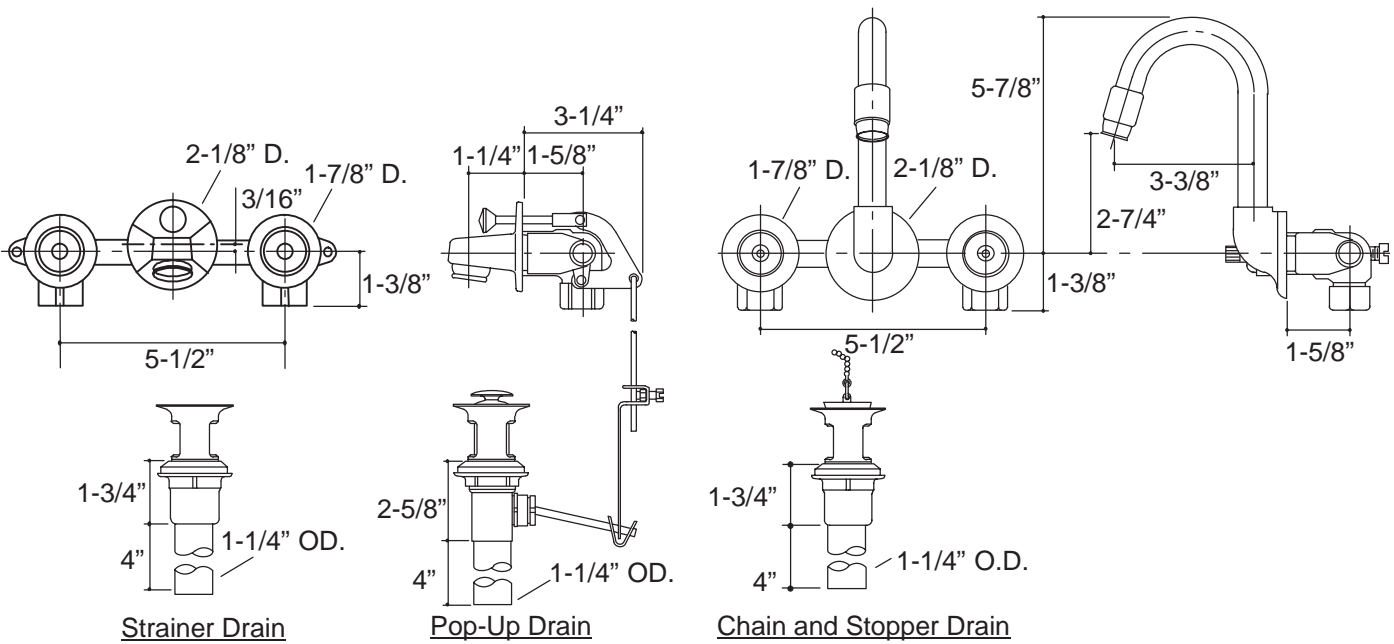


Fig. #1

INSTALLATION

INSTALL FAUCET

Apply a bead of plumbers putty or other sealant around the undersides of escutcheons and spout body according to the putty manufacturer's instructions.

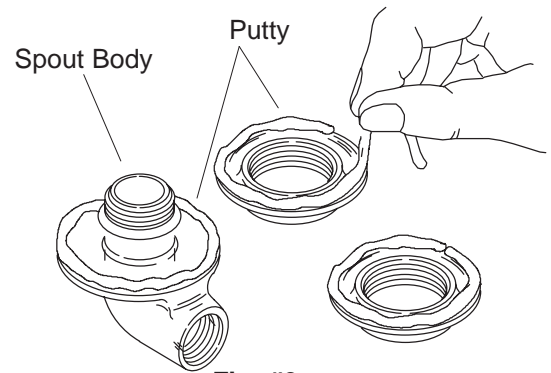


Fig. #2

Place valve yoke through lavatory and thread escutcheons to valve bodies. Leave about 3/8" exposed threads in front of escutcheons. Remove excess sealant.

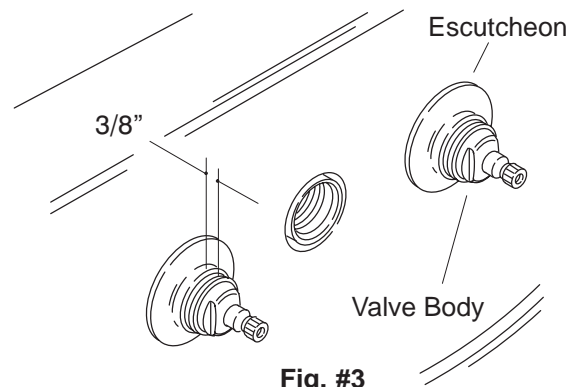


Fig. #3

Put thread sealant on spout threads. Thread spout body to valve yoke so spout body and valve escutcheons contact lavatory evenly.

CAUTION: Risk of property damage. Do not reposition spout after tightening.

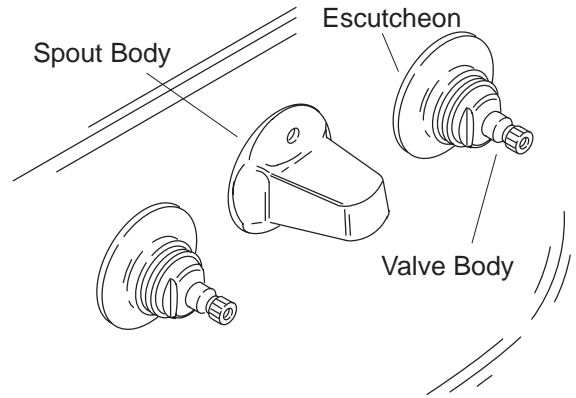


Fig. #4

For high shelfback spout, apply thread sealant to threads, then thread spout to spout body. Use a clean strap wrench to tighten if necessary.

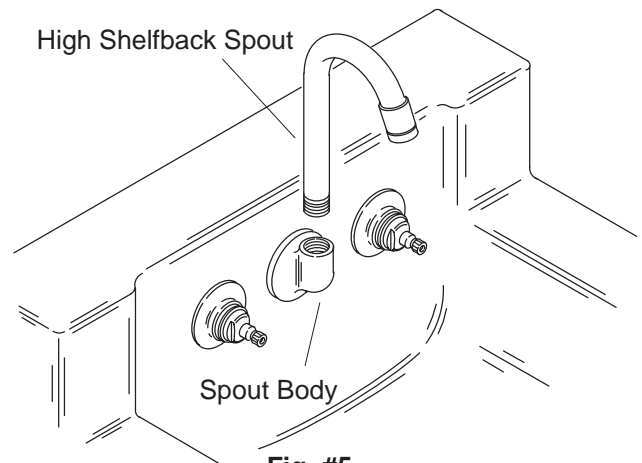


Fig. #5

Assemble handles, screws, and button caps to valve bodies.

If handles touch escutcheons, adjust the escutcheons for a minimum 1/8" clearance between handle skirts and escutcheons.

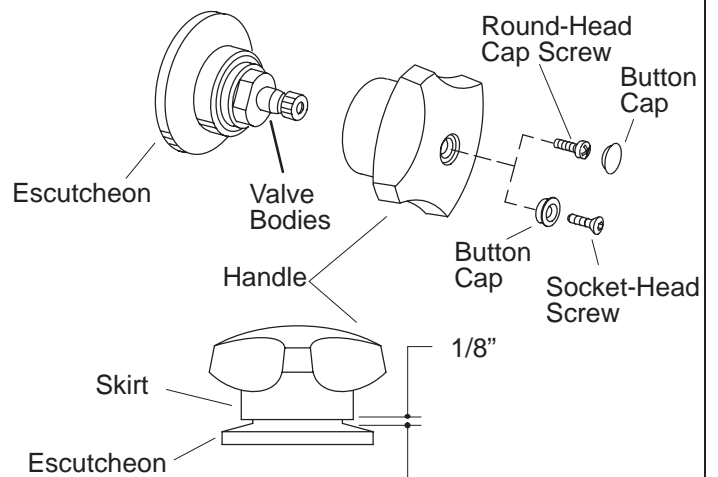


Fig. #6

Tighten the two screws on the valve yoke at the back of the lavatory to secure the valve body.

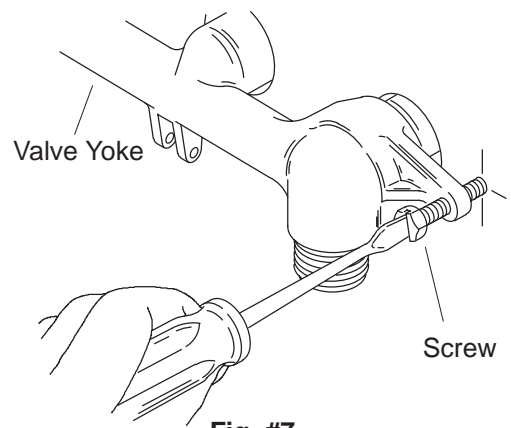


Fig. #7

INSTALL DRAIN

Install according to instructions packed with drain.

If necessary, connect lift rod assembly as shown.

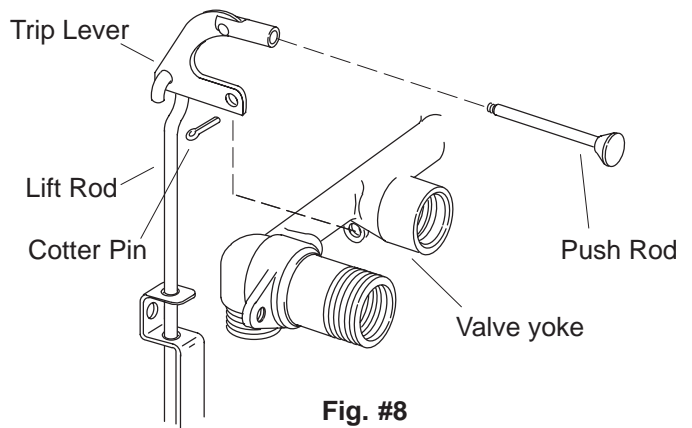


Fig. #8

CONNECT SUPPLY

Cut supply tubes to allow required penetration of tubes into supply-stops. Deburr all tubing cuts. Slip coupling nuts onto supply tubes. Carefully position round end of supply tube (either flared end or ferrule) squarely into the valve body inlet. Hand tighten coupling nuts.

Carefully bend supply tubes to align with supply stops. Slide a coupling nut, then a ferrule, onto each supply tube. Insert supply tubes into supply stop outlets, positioning the round ends of the ferrule squarely into the outlets. Tighten all coupling nuts.

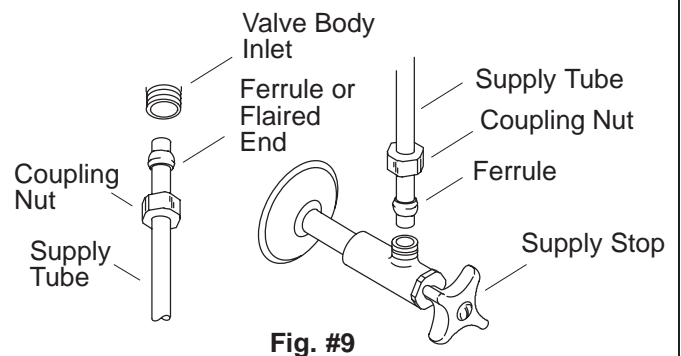


Fig. #9

CHECK INSTALLATION

Ensure that all coupling nuts are tight.

Ensure that both faucet handles are turned off (hot = counterclockwise close, cold = clockwise close).

Turn on the main water supply, and check for leaks. Repair as required.

Remove the aerator. Open both hot and cold valves and run water through the spout for about a minute to remove any debris. Check for leaks. Remove any debris from the aerator. Turn the valves off, and re-install the aerator.

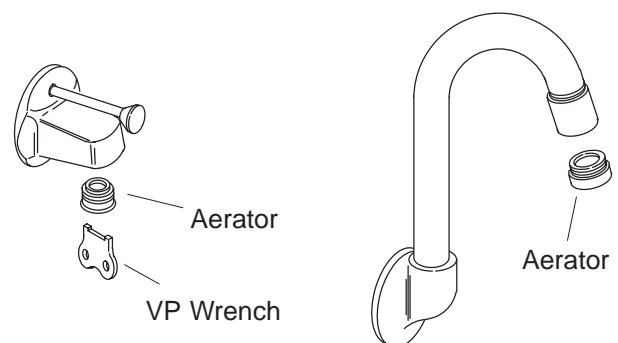


Fig. #10