

Product Information

Applicable product:	
Bath whirlpool, custom pump	K-792-HB
Bath whirlpool, custom pump	K-792-HE
Bath whirlpool, custom pump	K-792-HJ

Fixture*:	
Basin area	43" (109.2 cm) x 19" (48.3 cm)
Top area	54" (137.2 cm) x 30" (76.2 cm)
Weight	420 lbs (190.5 kg)
Water depth	15" (38.1 cm) to overflow
Capacity	62 gal (234.7 L)
*Approximate measurements for comparison only.	

Drop-in cut-out	58-1/2" (148.6 cm) x 34-1/2" (87.6 cm)
Cut-out for undermount	K-584 template

Pump	kW	V	A*
	1.5	240	11
* Approximate measurements for comparison only.			

Required Electrical Service

Dedicated circuit required, protected with Class A Ground-Fault Circuit-Interrupter (GFCI) or Earth-Leakage Circuit-Breaker (ELCB):	
Pump/control	208-240 V, 20 A, 50/60 Hz

Installation Notes

Install this product according to the installation guide.

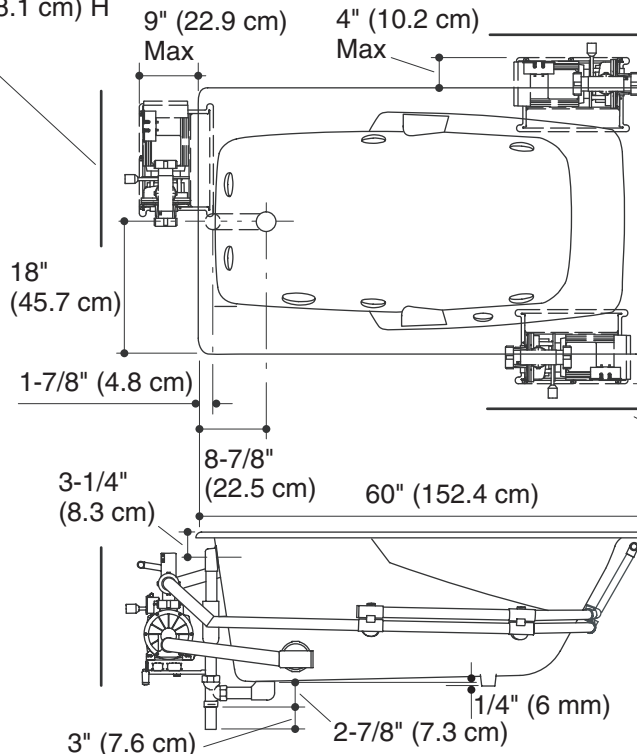
Cast iron whirlpools are extremely heavy, making some drop-in installations difficult. Splitting the deck/surround is recommended if installing into a deck.

Floor support under whirlpool must provide for a minimum of 65 lbs/square foot (314 kg/square meter) loading.

Pump must be relocated to custom position at the time of the installation. Provide adequate clearance.

Fixture conforms to ASME Standard A112.19.1. All dimensions are nominal.

K-792-HB
Pump/Control Access
34" (86.4 cm) W x
15" (38.1 cm) H



No change in measurements if connected with drain illustrated. (K-7161-AF or K-7161M-AF)

K-792-HE
Pump/Control Access
34" (86.4 cm) W x 15" (38.1 cm) H

K-792-HJ
Pump/Control Access
34" (86.4 cm) W x 15" (38.1 cm) H
36" (91.4 cm)

