

**Features**

- Brass construction
- Compression valve
- Loose key stop

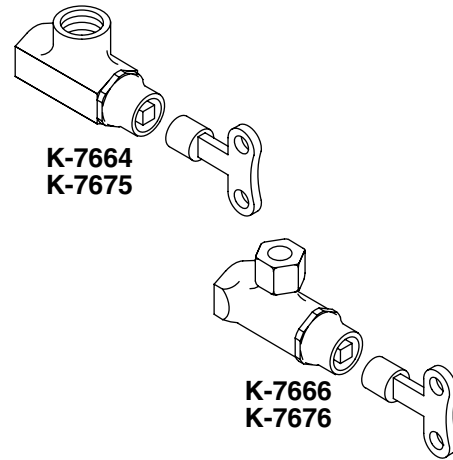
**Codes/Standards Applicable**

Specified model meets or exceeds the following:

- ASME A112.18.1/CSA B125.1
- IAPMO/cUPC
- NSF 61

**ANGLE STOP  
K-7664**

**ALSO K-7666, K-7675, K-7676**



**Colors/Finishes**

- CP: Polished Chrome

**Specified Model**

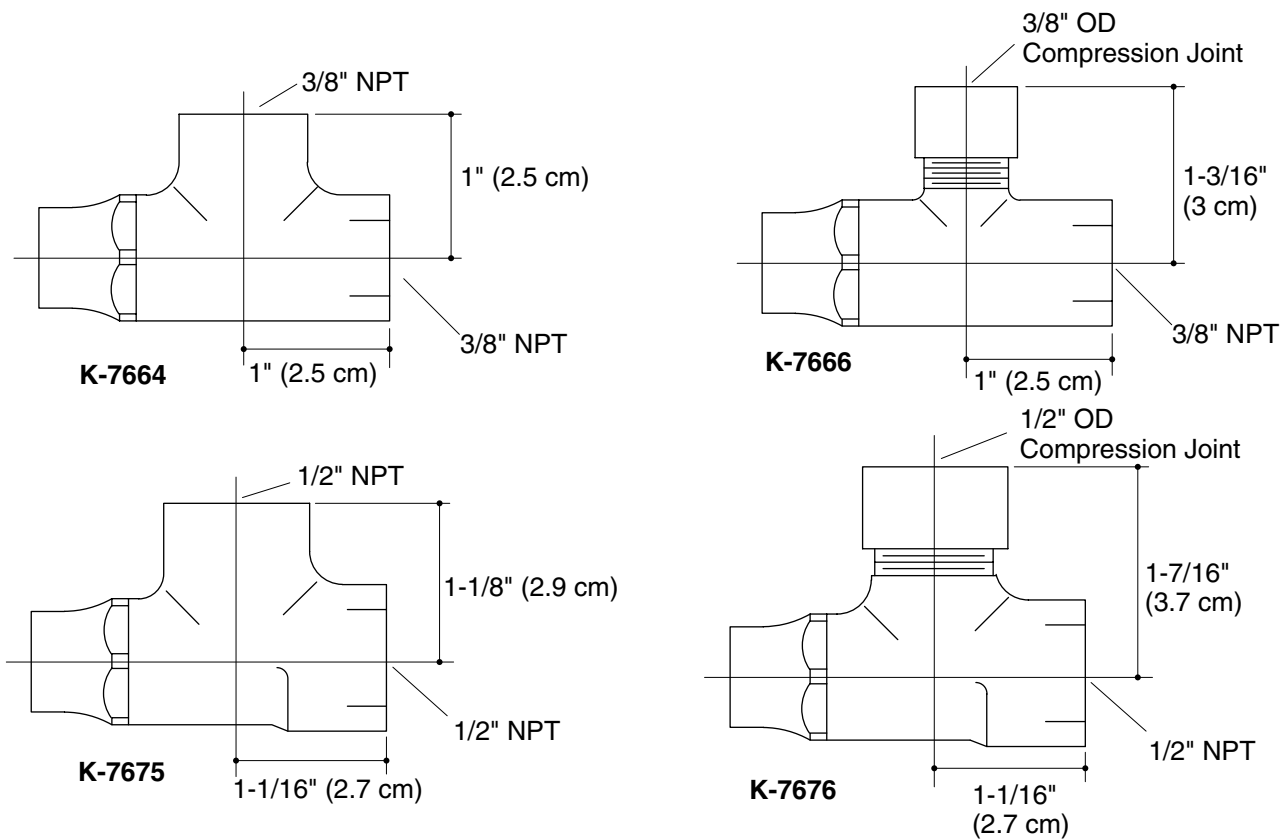
Model	Description	Colors/Finishes
K-7664	Angle stop with 3/8" NPT connection	<input type="checkbox"/> CP
K-7666	Angle stop with 3/8" NPT connection and compression fitting for flexible riser	<input type="checkbox"/> CP
K-7675	Angle stop with 1/2" NPT connection	<input type="checkbox"/> CP
K-7676	Angle stop with 1/2" NPT connection and compression fitting for flexible riser	<input type="checkbox"/> CP

**Product Specification**

Angle stop shall be of brass construction. Product shall include a compression valve and loose key stop. Stop (single) shall be Kohler Model K-\_\_\_\_\_-\_\_\_\_\_.

## Installation Notes

Install this product according to the installation guide.



## Product Diagram