

Features

- Integral flange.
- Right drain.
- Lighted keypad control.
- Integral apron.
- Integral lumbar support.
- Includes jet trim: Polished Chrome.
- Coordinates with other products in the Memoirs® collection.
- 60" (1524 mm) x 33-3/4" (857 mm) x 17-7/16" (443 mm)

Material

- Cast iron with Safeguard® finish.

Hydrotherapy

- 43 BubbleMassage™ airjets. 18 levels of massage intensity.
- Zones of Control feature allows you to target massage to back, midsection, or feet.
- Automatic purge cycles remove residual water from air channels after use.
- Built-in 300 W heater.

Installation

- Alcove

Recommended Accessories

- K-1491 Bath/Whirlpool Pillow
- K-1601 Bath/Whirlpool Footstop
- K-1705 Whirlpool/BubbleMassage™ Remote Control
- K-7161-AF Bath Drain
- K-7259 Clearflo Bath Drain
- K-9498 3" Keypad Trim
- K-702200-G54 Frameless Sliding Bath Door
- K-702200-G73 Frameless Sliding Bath Door
- K-702200-L Frameless Sliding Bath Door
- K-702205-L Frameless Sliding Bath Door
- K-706000-D3 Frameless Sliding Bath Door
- K-706000-L Frameless Sliding Bath Door
- K-706003-L Frameless Sliding Bath Door
- K-706004-D3 Frameless Sliding Bath Door
- K-706004-L Frameless Sliding Bath Door
- K-706007-L Frameless Sliding Bath Door



ADA

Codes/Standards






ASME A112.19.1/CSA B45.2
ASME A112.19.7/CSA B45.10
ASTM F462
ASTM F462
UL 1795
CSA C22.2 No. 218.2
ADA
ICC/ANSI A117.1
CARB P2

KOHLER® Lifetime Limited Warranty for Cast Iron Components

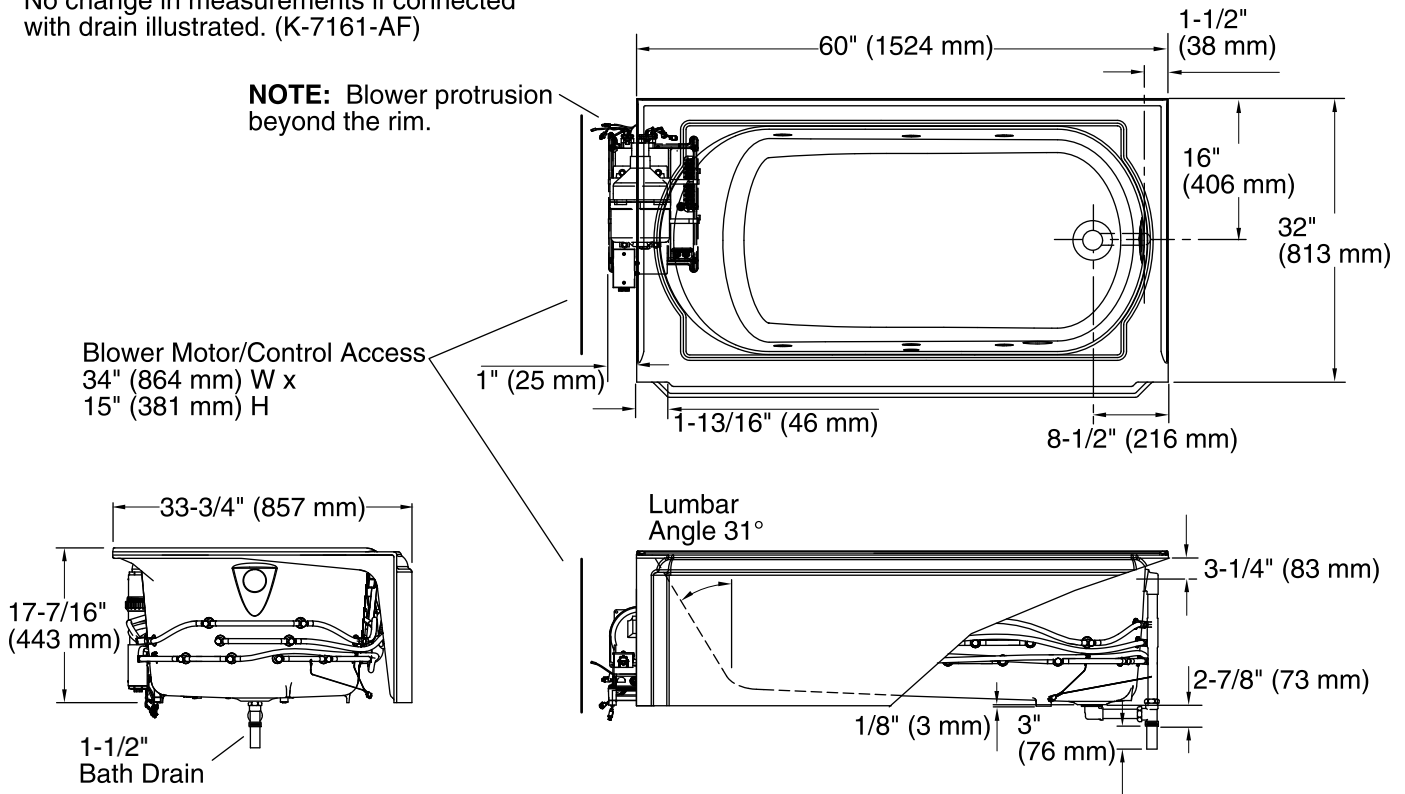
See website for detailed warranty information.

Available Color/Finishes

Color tiles intended for reference only.

Color	Code	Description
	0	White
	96	Biscuit
	47	Almond
	NY	Dune
	G9	Sandbar

No change in measurements if connected with drain illustrated. (K-7161-AF)



Required Electrical Service

One dedicated circuit required, protected with Class A Ground-Fault Circuit-Interrupter (GFCI) or Residual Current Device (RCD).

Blower: 240 V, 15 A, 50/60 Hz

Technical Information

All product dimensions are nominal.

Installation: 3-Wall Alcove
 Drain location: Right
 Basin area, bottom: 45" x 23" (1143 mm x 584 mm)
 Basin area, top: 54" x 25" (1372 mm x 635 mm)
 Weight: 390 lbs (176.9 kg)
 Minimum floor load: 61 lbs/ft² (297.8 kg/m²)
 Water depth: 11-5/8" (295 mm)
 Water capacity: 52 gal (196.8 L)
 Electrical component rating: Blower: 240 V, 5 A, 50/60 Hz
 Blower speed: Variable
 Minimum flat for door: 2" (51 mm)

Notes

Measure your actual product for rough-in details.

Install this product according to the installation instructions.

The hot water supply should be 70% of the capacity of the bath or greater. Installations will vary.

If relocating the blower motor, do not relocate or alter the PVC tee or coiled flexible tubing connected to the blower. Follow the blower relocation instructions exactly. Provide access for servicing the blower.

ADA compliant when installed to the specific requirements of these regulations.