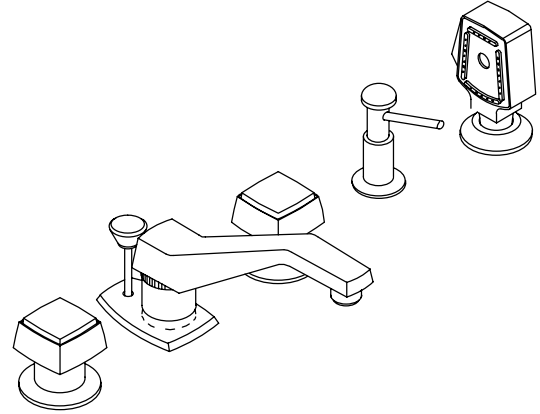


**LAVATORY SHAMPOO FAUCET
K-6962-2
ALSO K-6956-2**

FEATURES

- Brass construction
- For 8" centers
- Brass valve bodies
- Quarter-turn washerless ceramic disc valves
- K-6956-2 is intended for K-2170 Lady Vanity™ lavatory installations; K-6962-2 is intended for K-2885 Man's Lav™ lavatory installations
- 6-1/2" swing spout
- 2.0 gallons per minute
- Pop-up drain with lift rod and tailpiece
- Square handles
- White shampoo spray
- Available with or without soap/lotion dispenser



CODES/STANDARDS APPLICABLE

Specified model meets or exceeds the following:

- ASME/ANSI A112.18.1M
- CSA B125
- Energy Policy Act of 1992
- IAPMO/UPC
- NSF 61

COLORS/FINISHES

- CP Polished Chrome
- PB Polished Brass
- Other Refer to Faucets Price Book for additional finishes

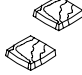
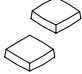
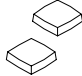

SPECIFIED MODEL:

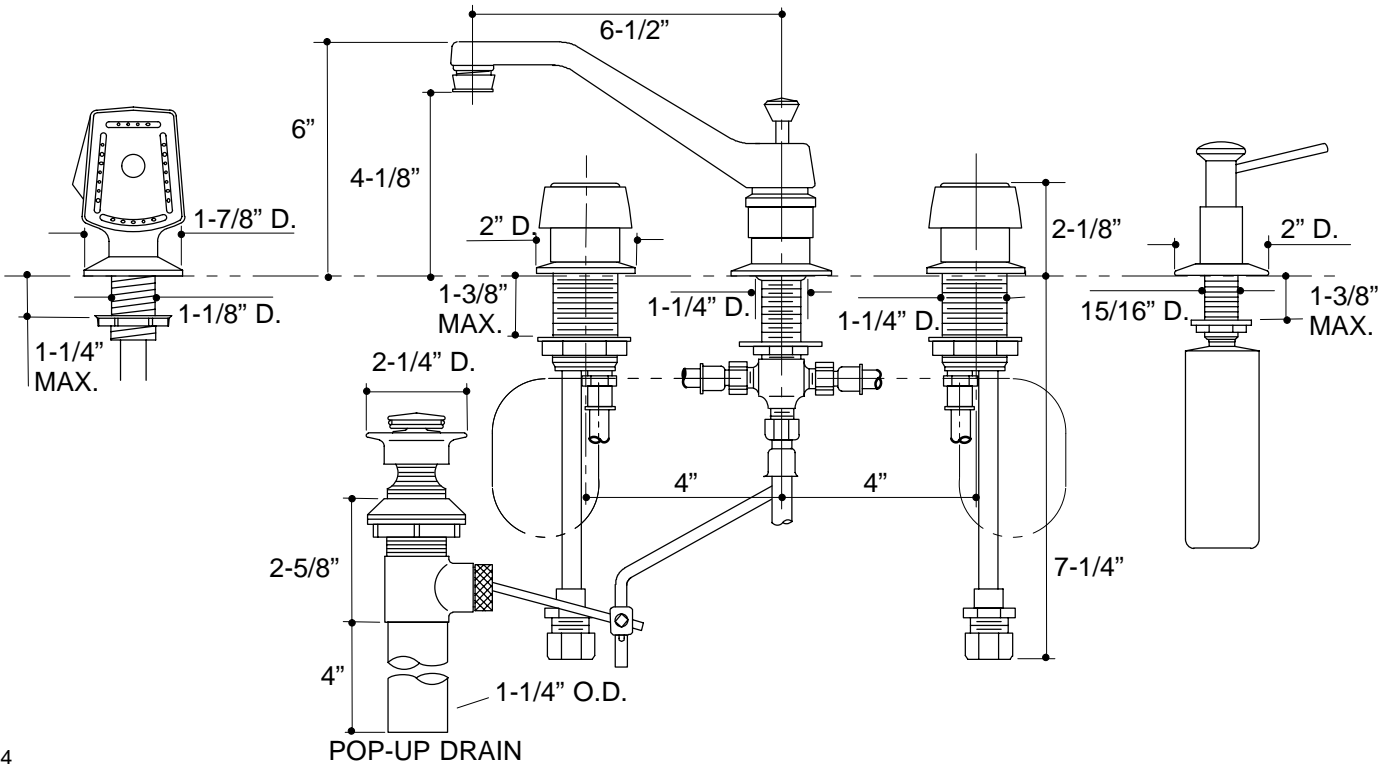
Model	Description			
K-6956-2	Less Soap/Lotion Dispenser	<input type="checkbox"/> CP	<input type="checkbox"/> P <input type="checkbox"/> B	<input type="checkbox"/> Other_____
K-6962-2	With Soap/Lotion Dispenser	<input type="checkbox"/> CP	<input type="checkbox"/> P <input type="checkbox"/> B	<input type="checkbox"/> Other_____

Optional Accessories on Page 2.

PRODUCT SPECIFICATION:

Two-handle widespread lavatory shampoo faucet shall be of brass construction. Faucet shall feature brass valve bodies. Faucet shall feature quarter-turn washerless ceramic disc valves, assuring positive handle stop positioning. Product shall include 8" centers, 6-1/2" swing spout, pop-up drain with lift rod and tailpiece, square handles, and white shampoo spray. Optional features shall be with or without soap/lotion dispenser. K-6952-2 is intended for K-2170 Lady Vanity lavatory installations, and K-6962-2 is intended for K-2885 Man's Lav lavatory installations. Faucet shall be Kohler Model K-_____-2-_____.

Optional Accessories					
	K-9916	Small Handle Stone Insets, Pair			<input type="checkbox"/> Other _____
	K-9924	Small Handle Metal Insets, Pair	<input type="checkbox"/> CP	<input type="checkbox"/> P B	<input type="checkbox"/> Other _____
	K-9927	Small Handle Ceramic Insets, Pair			<input type="checkbox"/> Other _____
	K-9933	Small Handle Champeve Insets, Pair			<input type="checkbox"/> Other _____



14

PRODUCT DIAGRAM