

Features

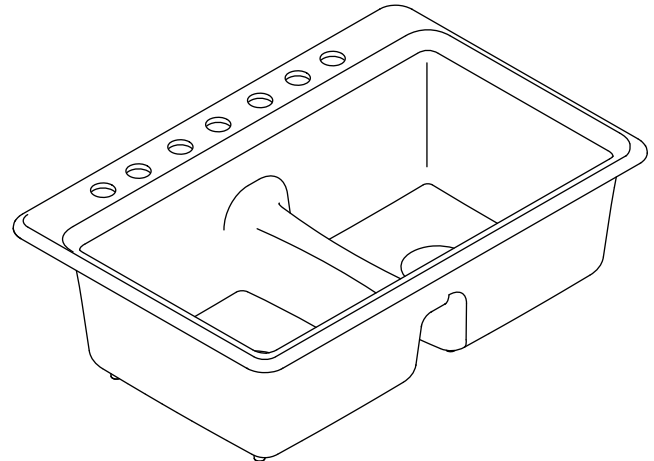
- KOHLER cast iron
- Acid-resistant enamel finish
- Low profile bowl divider for ease of handling large items
- Equal dimension double bowl
- Top-mount installation available with two, three, or four holes
- Under-mount installation available with seven holes
- 33" (838 mm) x 22" (559 mm)

Codes/Standards Applicable

Specified model meets or exceeds the following:

- ASME A112.19.1/CSA B45.2

SMART DIVIDE™ KITCHEN SINK K-5838



Colors/Finishes

- 0: White
- Other: Refer to Price Book for additional colors/finishes

Accessories

- CP: Polished Chrome
- NA: None applicable

Specified Model

Model	Description	Colors/Finishes	
K-5838-2	Top-mount kitchen sink – 2-hole	<input type="checkbox"/> 0	<input type="checkbox"/> Other_____
K-5838-3	Top-mount kitchen sink – 3-hole	<input type="checkbox"/> 0	<input type="checkbox"/> Other_____
K-5838-4	Top-mount kitchen sink – 4-hole	<input type="checkbox"/> 0	<input type="checkbox"/> Other_____
K-5838-7U	Under-mount kitchen sink – 7-hole (shown)	<input type="checkbox"/> 0	<input type="checkbox"/> Other_____

Recommended Accessories

K-9000	P-Trap	<input type="checkbox"/> CP
--------	--------	-----------------------------

Optional Accessories

K-6039	Bottom bowl rack	<input type="checkbox"/> 0	<input type="checkbox"/> Other_____
K-6624	Hardwood cutting board		<input type="checkbox"/> NA
K-8801	Duostrainer® sink strainer	<input type="checkbox"/> CP	<input type="checkbox"/> Other_____

Product Specification

The kitchen sink shall be made of cast iron with acid-resistant enamel finish. Sink shall be 33" (838 mm) in length, and 22" (559 mm) in width. Sink shall have an equal dimension double bowl. Sink shall feature a low profile bowl divider for ease of handling large items. Sink shall be available with two, three, or four holes for top-mount installations or seven holes for under-mount installations. Sink shall be Kohler Model K-5838-____-____.

DEERFIELD®

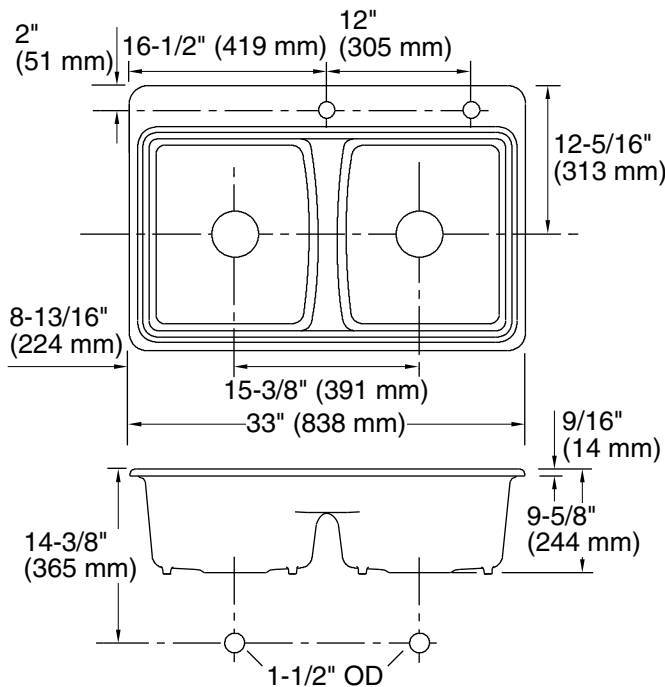
Technical Information

Fixture*:	
Bowl area	14-1/16" (357 mm) x 16" (406 mm)
Water depth	9" (229 mm)
Drain hole	Ø 3-7/8" (98 mm)
Faucet hole	
Top-mount models	Ø 1-3/8" (35 mm)
Under-mount model	Ø 2-3/8" (60 mm)
* Approximate measurements for comparison only.	
Included component:	
Cut-out template	1053528-7

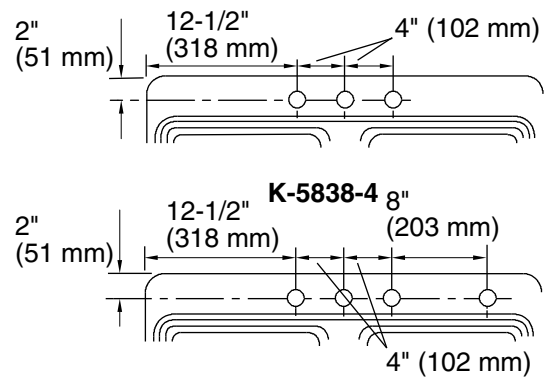
Installation Notes

Install this product according to the installation guide.

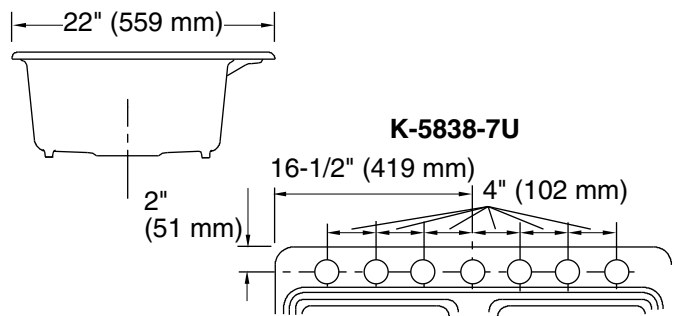
K-5838-2



K-5838-3



K-5838-7U



Product Diagram