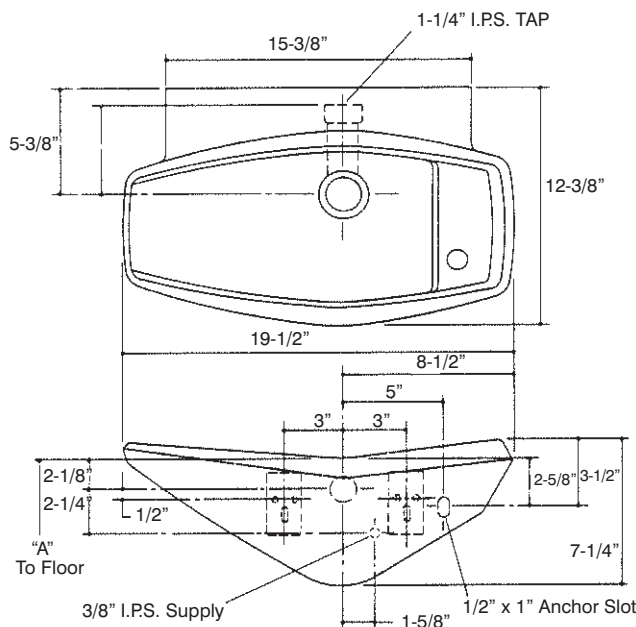


### OBSERVE ALL LOCAL PLUMBING CODES

All information in these instructions is based on the latest product information available at the time of publication. Kohler Co. reserves the right to make changes in product characteristics, packaging, or availability without notice.

### ROUGHING-IN INSTRUCTIONS

1. Rough-in supply and drain according to roughing-in drawing, Fig. #1. Temporarily install a capped length of 1-1/4" and 3/8" pipe to drain and supply to extend a minimum of 2" beyond finish wall.



“A” dimensions generally 30” for grade schools, 36” to 44” to suit other buildings.

Fig. #1

2. Install sufficient backing for support of wall hangers and for anchor bolt.

### AFTER FINISH WALL IS COMPLETED

1. Remove the temporary 3/8" pipe previously installed into supply fitting and the 1-1/4" pipe installed to drain fitting. Install a 3/8" nipple for the supply to extend approximately 7/16" from finish wall.

**NOTE:** If tubing is used for supply, a male threaded adapter must extend approximately 7/16" from finish wall.

Refer to Fig. #2. Assemble water stop onto the nipple.

**NOTE:** Ensure that the screwdriver slot of the stop is angled 45°, facing towards the bottom access, and inlet and outlet of stop is parallel to floor.

2. Measure the distance between the finish wall and the center of the drinking fountain outlet. Remove temporary capped nipple. Replace with a nipple that will position the trap inlet directly under the drinking fountain outlet. Install the two wall hangers provided to the wall as shown in roughing-in drawing (Fig. #1). Secure the hangers by the center hole only.

3. Install trap to nipple. Position and level fountain onto hangers.

**NOTE:** Hangers may have to be repositioned. Because of dimensional variations with vitreous china products, the hangers may have to be raised or lowered slightly so that there is 3/16" from the bottom of the drinking fountain outlet to the face of the inlet of the trap.

Secure the two hangers with screws to the backing through the remaining two holes in hanger. Through the side access, mark the center of the 1/2" x 1" anchoring slot located on the right, back wall of the fountain.

4. Remove fountain from hangers and install anchoring stud.

**NOTE:** Machine thread portion of anchoring stud should extend approximately 5/8" from finish wall. Stud must be centered in the slot.

5. Apply a ring of sealant (plumber's putty) around the underside of strainer body flange and place strainer body into fountain outlet. From underside of drinking fountain, slide tapered rubber gasket (tapered side up) onto strainer body.

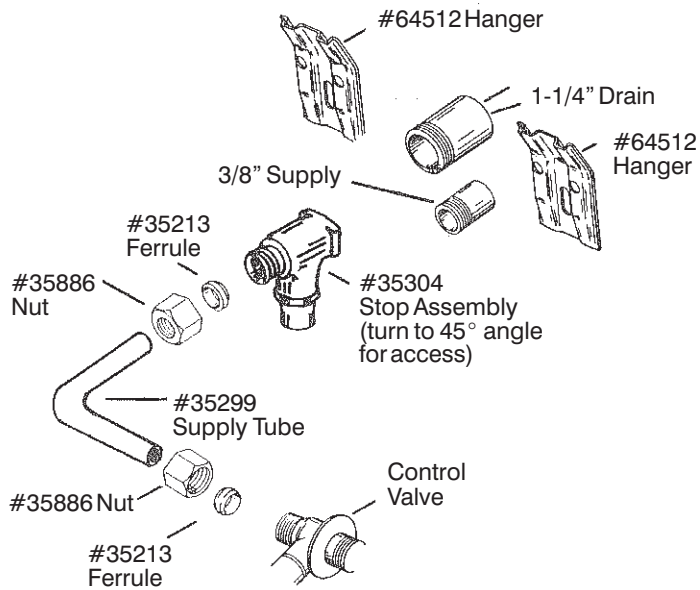
6. Position fountain onto hangers so the anchoring stud and the opening of the slot line up. Line up the strainer body with the trap and thread strainer body securely into trap.

**CAUTION:** The fountain must be supported by the hangers only. Do not position drain after it has been tightened into the trap or the seal may be broken.

7. Refer to Fig. #2. Place washer and cap nut over anchoring stud and carefully tighten to secure drinking fountain. **DO NOT OVERTIGHTEN AS BREAKAGE OR CHIPPING MAY RESULT.**

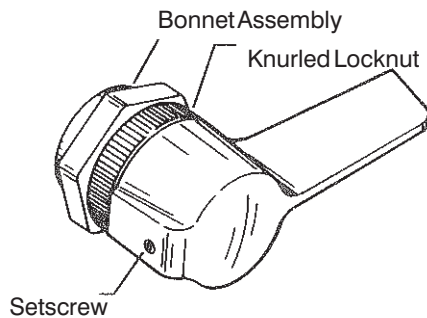
8. From bottom of access, install the copper supply tube with compression fitting between the stop and control valve. Hand tighten the straight end of the tube to the stop, then hand tighten the angled end of the supply tube to the control valve. Secure both nuts with a wrench.

**NOTE:** Copper supply connection may be bent slightly to fit.



**Fig. #2**

9. Snap strainer plate into strainer body. If necessary, adjust bubbler head so the arc of water is parallel to the wall.
10. Check for leaks and install cover plates to bottom access openings.
11. When this drinking fountain is installed with a water cooler, jam the knurled lock ring against bonnet assembly to prevent continuous flow.



**Fig. #3**

12. The lever handle has been adjusted at the factory so that the blade is parallel to the floor. If additional adjustment is required, remove setscrew with a 3/32" hex Allen wrench. See Fig. #3 for setscrew location. Pull handle straight off. **DO NOT TWIST HANDLE.** Reverse this procedure to reinstall handle.

## IMPORTANT CONSUMER INFORMATION

### LIMITED ONE-YEAR WARRANTY

Kohler plumbing fixtures and fittings are warranted free of manufacturing defects.

Kohler Co. will, at its election, repair, replace, or make appropriate adjustment where Kohler Co. inspection discloses any such defects occurring in normal usage within one year after installation. **Kohler Co. is not responsible for installation costs.**

To obtain warranty service, contact Kohler Co. either through your Dealer or Plumbing Contractor or by writing Kohler Co., Attn: Customer Service Department, 444 Highland Drive, Kohler, WI 53044 U.S.A., or by calling **1-800-4-KOHLER** from within the U.S.A.

**Implied warranties, including that of merchantability**

**and fitness for a particular purpose, are expressly limited in duration to the duration of this warranty. To the extent permitted by law, Kohler Co. disclaims all implied warranties including merchantability and fitness for a particular purpose. Kohler Co. disclaims any liability for special, incidental, or consequential damages.**

Some states do not allow limitations on how long an implied warranty lasts, or the exclusion or limitation of incidental or consequential damages, so this limitation and exclusion may not apply to you. This warranty gives you specific legal rights. You may also have rights which vary from state to state.

This is our exclusive written warranty.

KOHLER CO. KOHLER, WISCONSIN 53044

### VITREOUS CHINA

Vitreous china is possibly one of the oldest manufacturing materials known to man. For thousands of years people have fired clay with glaze to make objects of beauty as well as utility. Vitreous china is used for manufacturing the fine dishware and vases used around your home. And of course, vitreous china is used in the manufacture of plumbing fixtures because it is sanitary and easy to clean.

Kohler vitreous china is made of a special combination of clays and glazes. Toilets and lavatories are carefully cast by Kohler craftsmen who take pride in their work. Then vitreous fixtures are carefully sprayed with glaze and fired in a kiln at very high temperatures. The result: Beautiful ceramic fixtures in exciting colors... easy to care for and just about impervious to wear.

When cleaning your fine vitreous china products, **DO NOT USE HARSH ABRASIVE CLEANERS** or you may scratch the glass-like glazed surface. New, softer abrasive cleaners may be used.

