

### Features

- Brass construction.
- Brass valve bodies.
- Quarter-turn washerless ceramic disc valves.
- 8" (203 mm) rigid connections.
- Variety of handle style options.
- 5-1/4" (133 mm) gooseneck spout.
- Less drain.
- Standard aerator.
- 2.0 gal/min (7.6 l/min) maximum flow rate [max at 60 psi (4.14 bar)].

### Required Accessories

- K- 16012-2 Standard Handles for Widespread Base Faucet
- or
- K- 16012-3 Cross Handles for Widespread Base Faucet
- or
- K- 16012-4 Lever Handles for Widespread Base Faucet
- or
- K- 16012-5 Wristblade Handles for Widespread Base Faucet

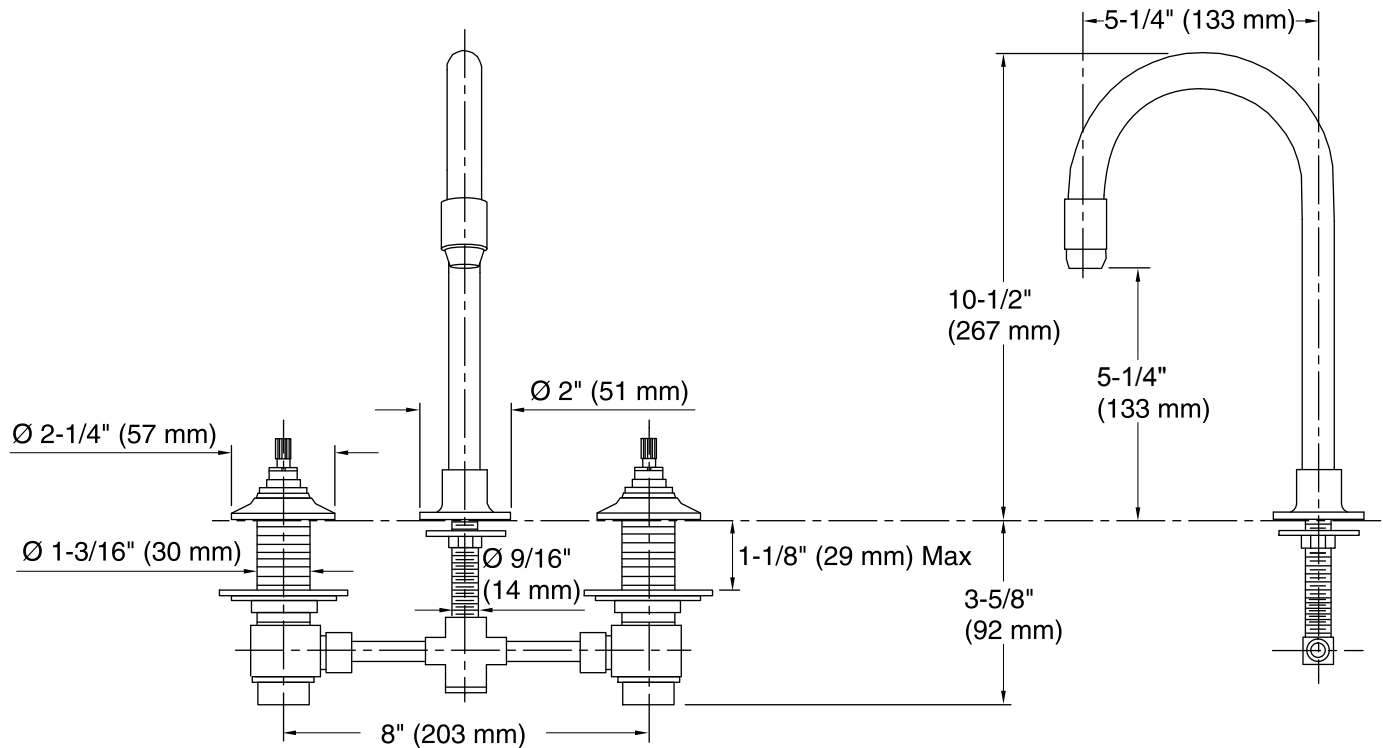


### Codes/Standards

ASME A112.18.1/CSA B125.1  
NSF 61  
NSF 372  
DOE - Energy Policy Act 1992  
All applicable US Federal and State material regulations

### KOHLER® Faucet Lifetime Limited Warranty

See website for detailed warranty information.



### Technical Information

All product dimensions are nominal.

Spout reach: 5-1/4" (133 mm)

### Faucet:

Flow rate: 2 gal/min (7.6 l/min)

Pressure: 60 psi (4.1 bar)

### Notes

Install this product according to the installation guide.