

Installation Guide

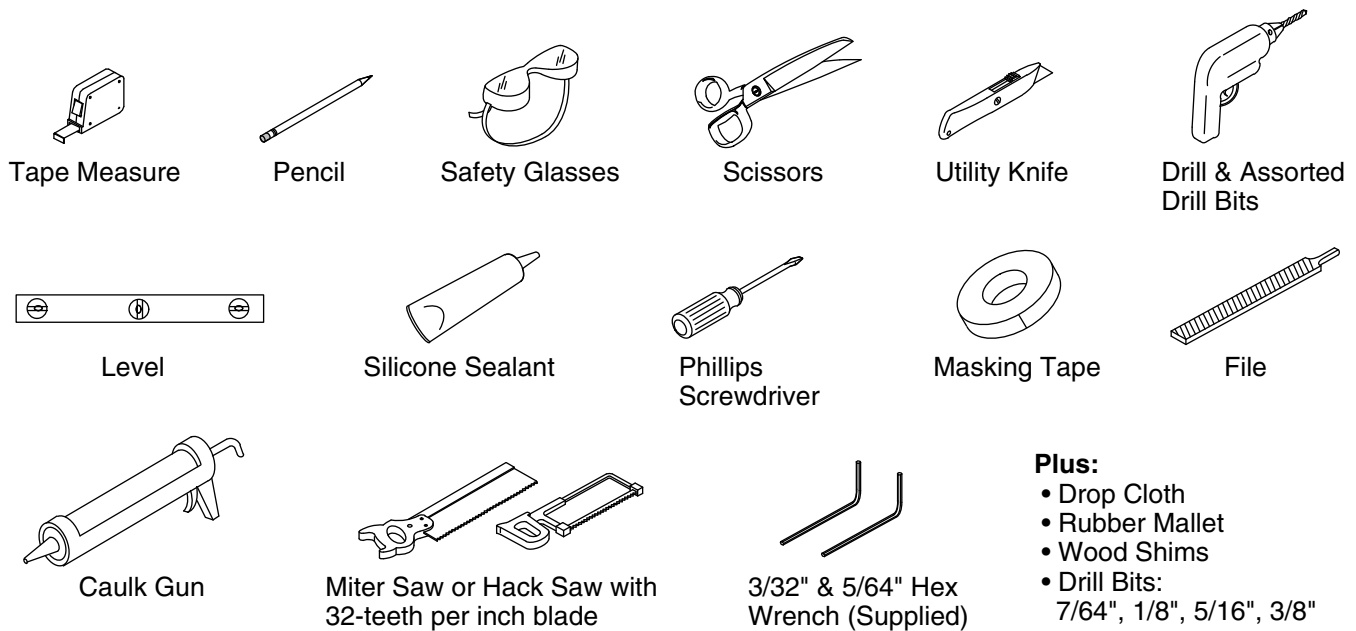
Framed Shower Door with Transom

K-705800, K-705802, K-705804,
K-705806, K-705808, K-705810,
K-705812, K-705814, K-705816,
K-705818, K-705820, K-705822,
K-705824, K-705826

M product numbers are for Mexico (i.e. K-12345**M**)
Los números de productos seguidos de **M** corresponden a México
(Ej. K-12345**M**)
Français, page "Français-1"
Español, página "Español-1"

THE BOLD LOOK
OF **KOHLER**®

Tools and Materials



Before You Begin



WARNING: Risk of serious injury. Damage prior to installation can result in glass shattering. Inspect the glass and all parts for damage before installation.



WARNING: Risk of serious injury. Improper installation can result in glass shattering. Follow all installation instructions.

NOTICE: Do not touch the edges of the tempered glass with tools or any other hard objects. Do not set the unframed tempered glass directly on the floor or any hard surface.



WARNING: Risk of serious injury. Do not cut tempered glass. Tempered glass will shatter if cut.



WARNING: Risk of serious injury. Shower door and side panels can shatter. Regularly inspect the glass and all parts for damage, missing, or loose parts.



WARNING: Risk of serious injury. Always wear safety glasses while cutting and drilling.

IMPORTANT! Leave this manual for the end user. Read these instructions before installing or using this product.

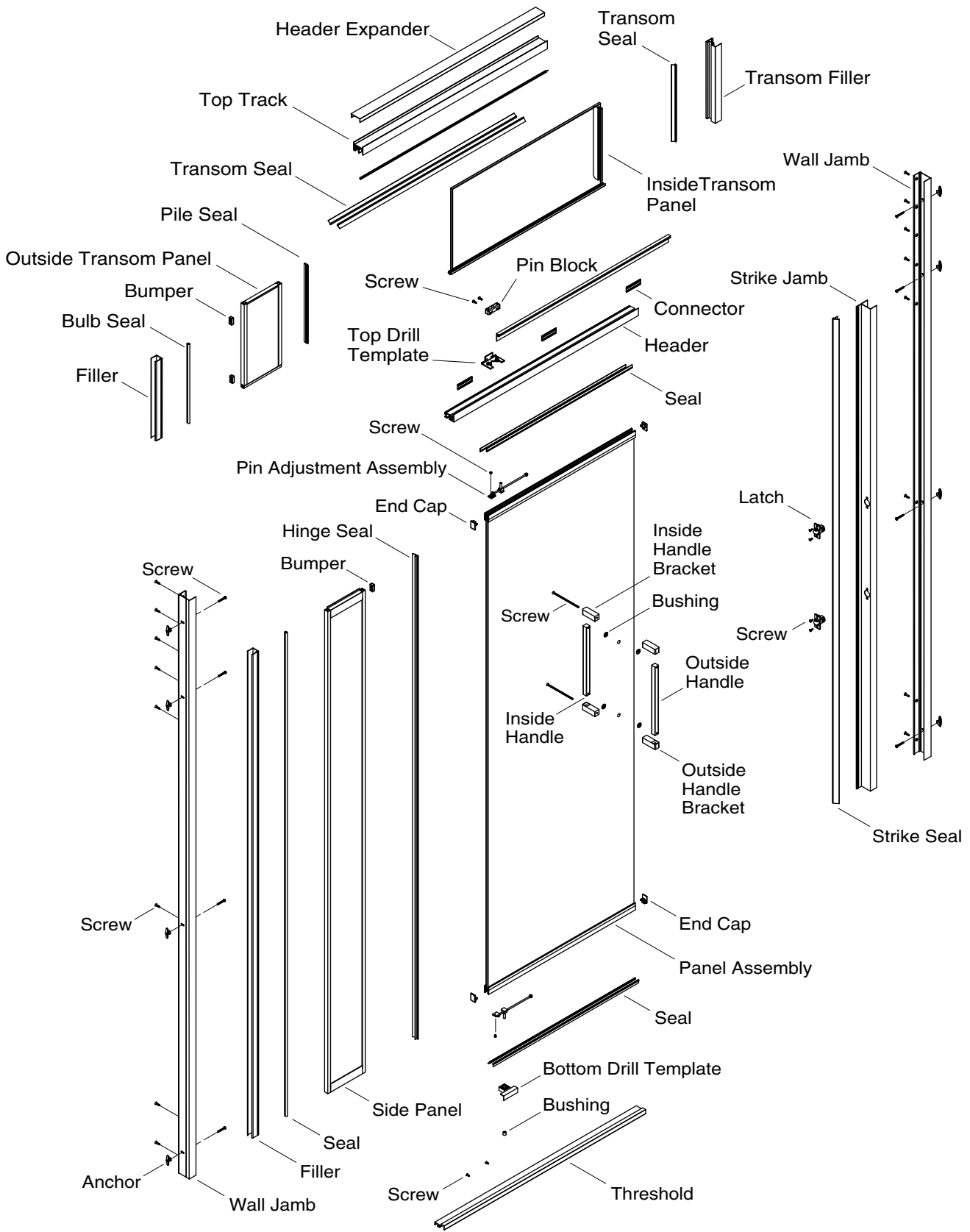
NOTE: Record the model number on the Homeowners Guide. The proper model number will enable our customer service representatives to quickly help you if needed.

IMPORTANT! This door is designed to accommodate walls that are less than 3/8" (1 cm) out of plumb. Verify the area the door will be attached to is within 3/8" (1 cm) or better of plumb. The door may not function properly if the wall is more than 3/8" (1 cm) out of plumb.

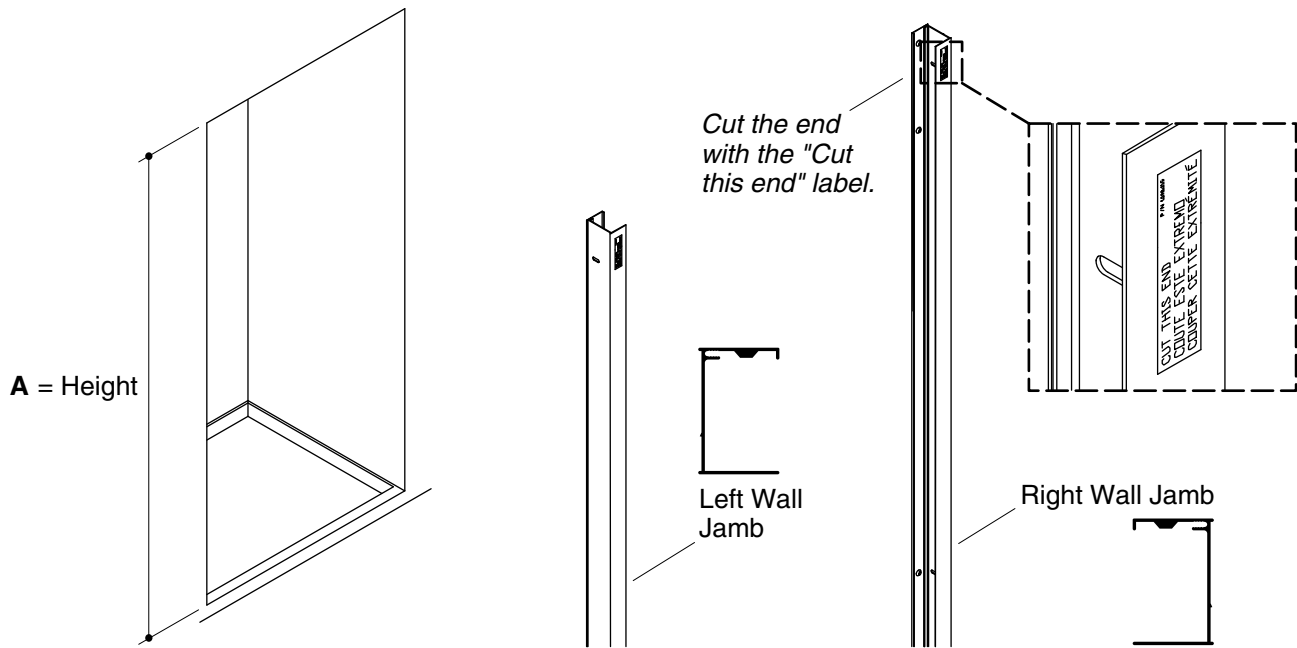
- Your new Kohler door can be installed with the door opening to either the right or left. Install the door with the pivot side away from the showerhead for best results. These instructions show the door installed with a left hinge. Doors that hinge on the right would be opposite.
- Before starting the installation, lay out and identify all of the parts. Inspect them for damage.
- The shower receptor should be installed and prepared at this time, including finished wall materials.

Before You Begin (cont.)

- Place a drop cloth in the bottom of your shower to cover your drain and ease clean-up.
- Closely follow the instructions pertaining to the sealant application on the door. Sealing areas other than those shown may cause leaking.
- Two people should perform this installation.
- Kohler Co. reserves the right to make revisions to the design of products without notice, as specified in the Price Book.



Parts Identification



1. Determine the Door Configuration

IMPORTANT! Depending on which pivot configuration is chosen (left or right) your assembly instructions will vary. For purposes of these instructions, a “left hinge” installation is shown.

- Determine whether the door will pivot on the right or left side.

NOTE: The door will hinge on the same side as the side panel.

- Make sure the door can swing freely in the chosen configuration.
- The height of your installation opening “A” must be between 89” (226.1 cm) and 89-1/2” (227.3 cm).

2. Measure and Cut the Wall Jamb

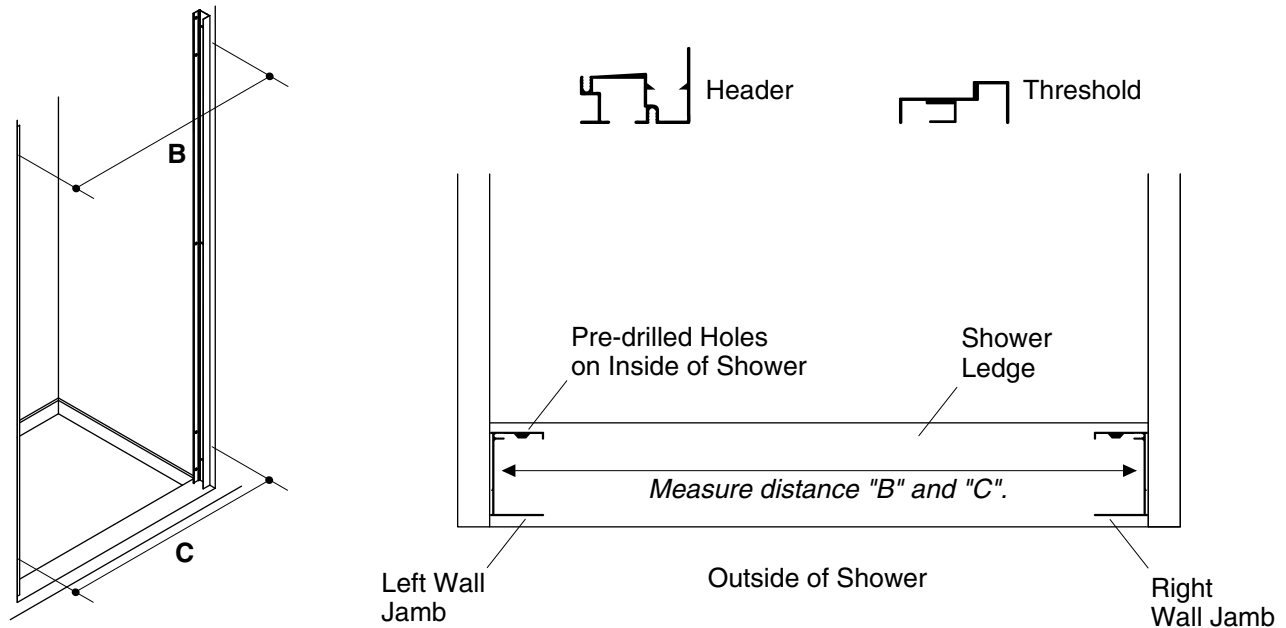


CAUTION: Risk of personal injury. Always wear safety glasses while cutting.

IMPORTANT! The wall jambs must sit flush against the sidewalls and shower ledge. If your shower has curved corners where the sidewalls meet the ledge, it may be necessary to shape the bottom ends of the wall jambs with a file.

NOTE: A label marks the top of each wall jamb. Do not remove the labels until the wall jambs are installed.

- Carefully measure the height “A” of the finished opening. Refer to the roughing-in sheet to confirm that the door will fit in the finished opening.
- Cut the wall jambs to this measurement. Make sure to cut the end labeled “Cut this end”. For best results, use a 32-teeth per inch hacksaw blade and a miter box.

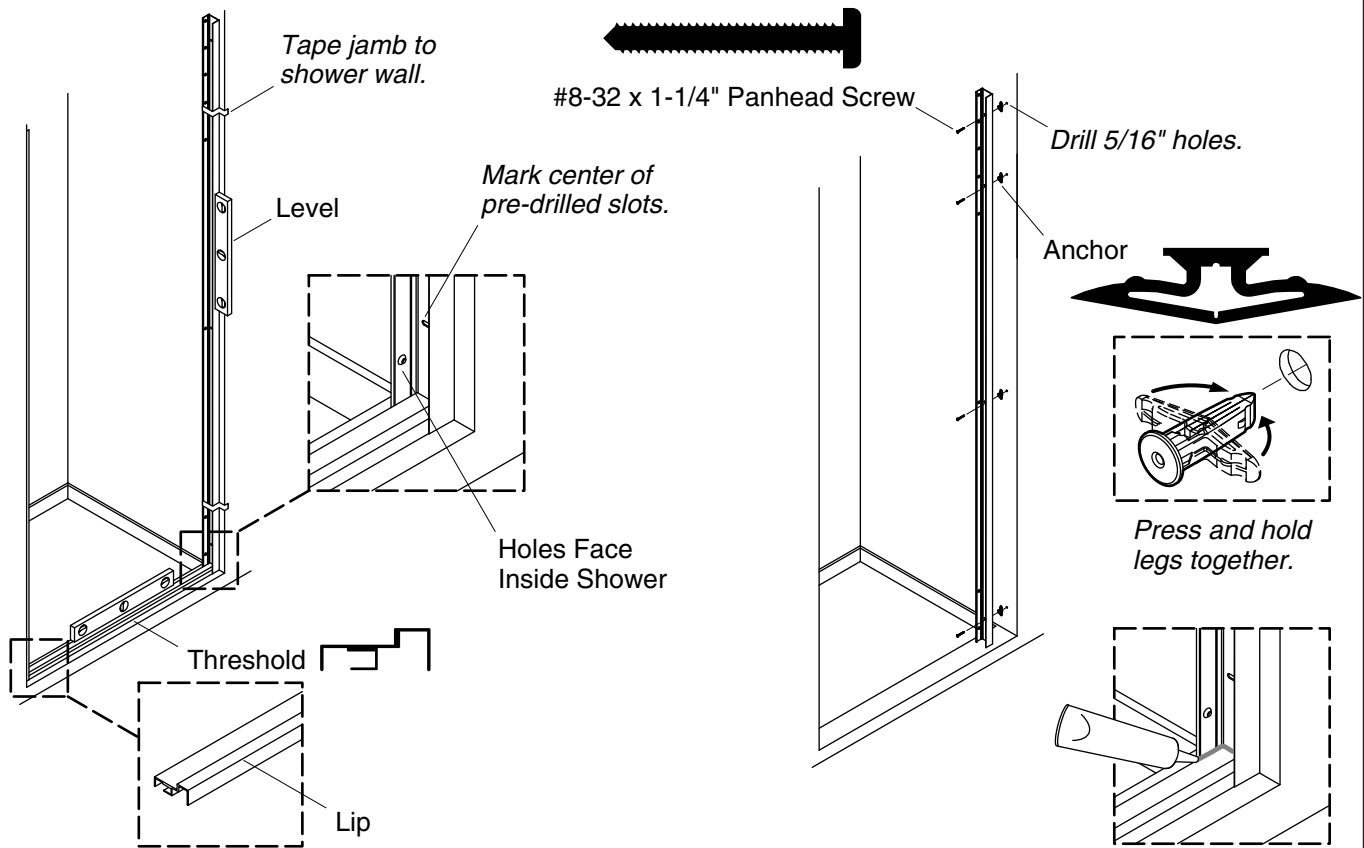


3. Measure and Cut the Header and Threshold



CAUTION: Risk of personal injury. Always wear safety glasses while cutting.

- Temporarily secure the wall jambs to the side walls of the finished opening with masking tape. Orient the wall jambs so the screw holes face the inside of the shower and the "Top" label is at the top.
- Carefully measure the distance (B) between the top of the wall jambs, 76" (193 cm) above the shower ledge. Mark this distance on the header.
- Carefully measure the distance (C) between the bottom of the wall jambs. Mark this distance on the threshold.
- Cut along the inside of the marked line to cut the header and threshold to length.
- Use a file to remove any burrs where the cuts were made.

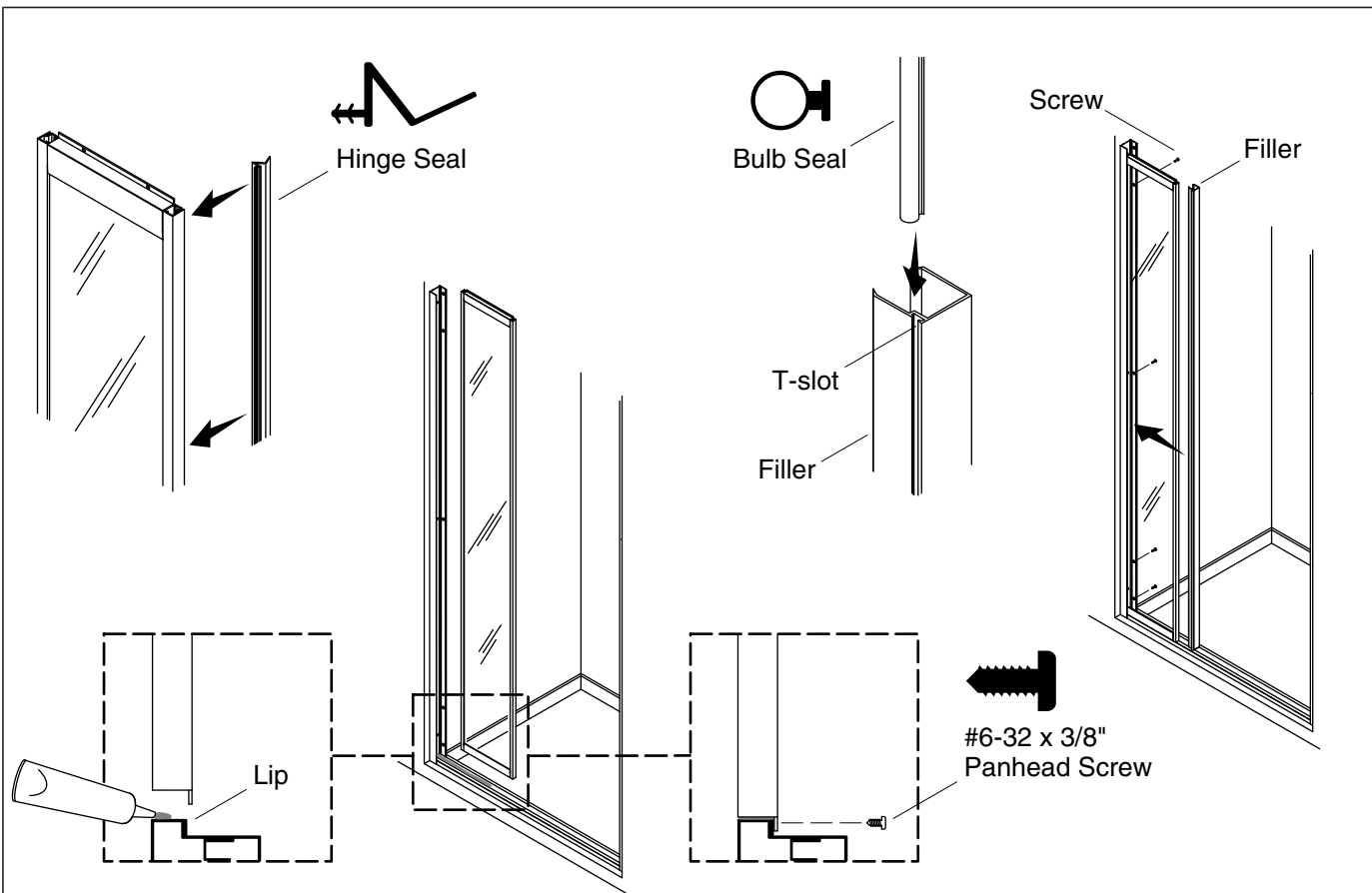


4. Install the Wall Jambs and Threshold

- Insert the ends of the threshold between the wall jambs with the lip toward the outside of the shower.
- Verify the threshold sits flat on the shower ledge. Adjust the wall jambs and threshold as needed to ensure the threshold runs parallel along the shower ledge.
- Plumb both wall jambs using a level.
- Using a pencil, mark the position of the bottom of both wall jambs on the shower ledge and on the wall near the top of the wall jambs.
- Mark the centers of the four wall jamb slots on the shower wall.
- Remove the wall jambs and threshold.
- Drill 5/16" holes at the marked locations.
- Thoroughly clean the shower ledge.
- Insert wall anchors into the drilled holes.

IMPORTANT! If the ledge of your shower receptor is not flat, you will need to shim the threshold so it is installed flat and level.

- Using the marks as reference, reposition the threshold and wall jambs in the shower opening.
- Secure the wall jambs to the shower wall using #8 x 1-1/4" panhead screws.
- Verify the wall jambs are plumb. Make adjustments as needed.
- Apply silicone sealant at the intersection where each wall jamb meets the threshold.
- Remove the labels from the wall jambs.



5. Install the Side Panel

Install the Side Panel

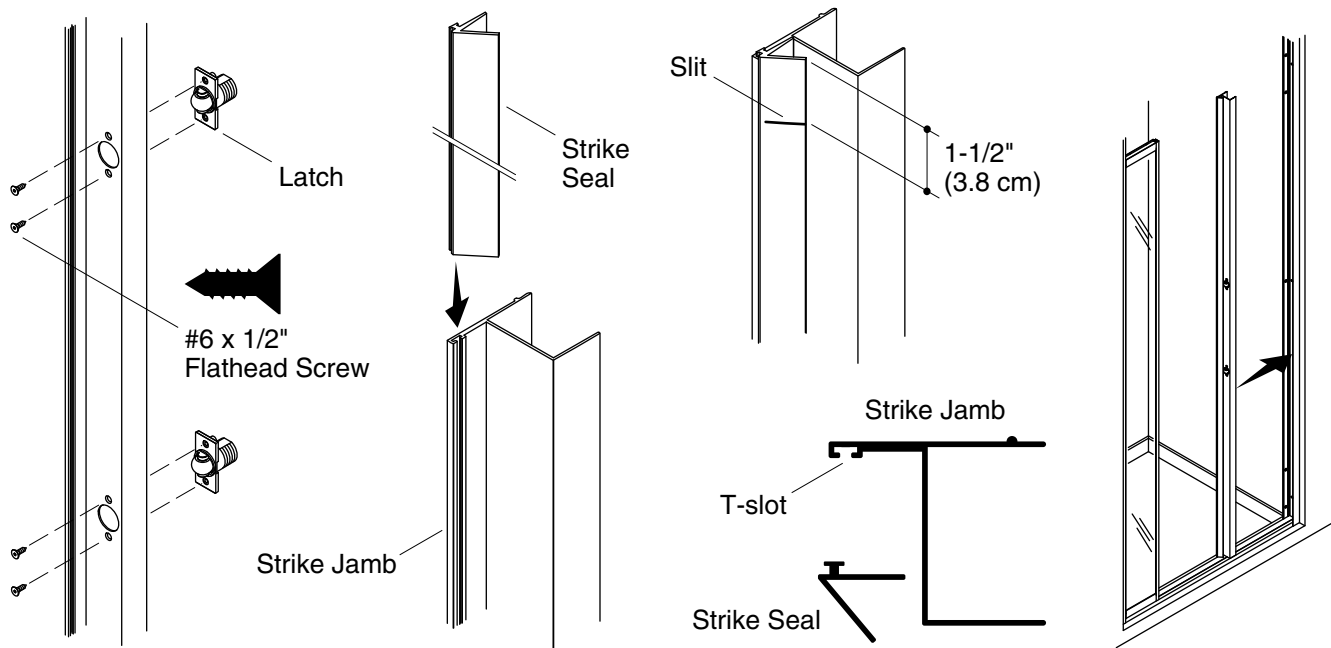
- Measure the width of the side panel.
- From the wall jamb where the side panel will be installed, mark the measured width on the threshold.
- Apply a bead of silicone sealant along the top of the threshold from the wall jamb to the marked location.
- Orient the side panel with the label toward the wall jamb and the bottom lip toward the inside of the shower.
- Place the side panel onto the threshold and slide it flush against the wall jamb.
- Verify the side panel sits flush on the threshold.
- Using a 7/64" drill bit, drill a hole into the threshold through each of the 2 predrilled holes in the lip of the side panel.
- Secure the side panel to the threshold using two #6-32 x 3/8" panhead screws.

Install the Side Panel Filler

- Slide the bulb seal into the T-slot groove on the filler.
- Use scissors or a utility knife to cut any excess bulb seal away so the seal is flush with the top of the filler.
- From inside the shower, insert the filler between the wall jamb side panel with the bulb seal and flat surface of the filler toward the side panel.
- Using the pre-drilled holes in the wall jamb, drill 1/8" holes into the filler.

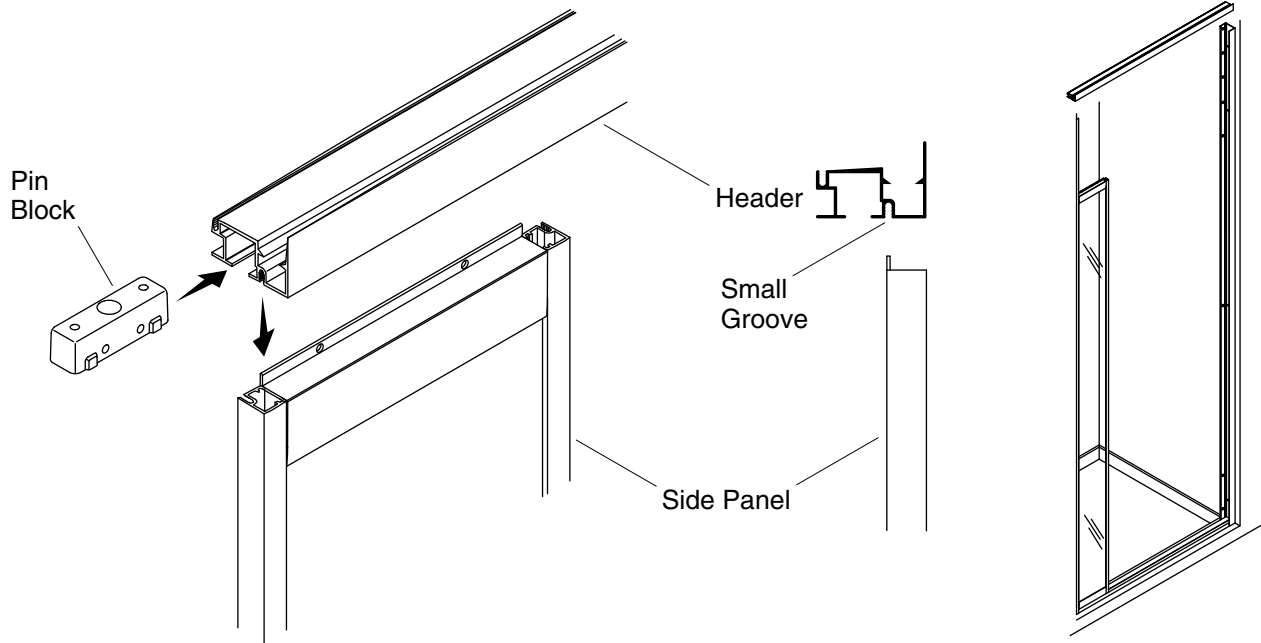
Install the Side Panel (cont.)

- Using a 3/32" hex wrench, secure the filler to the wall jamb with four #8 x 3/4" flathead screws.
- Press the hinge seal into the channel on the inside of the side panel frame.
- Trim the flap of the hinge seal 1-1/4" (3.2 cm) at each end. This will allow the door to fully close.



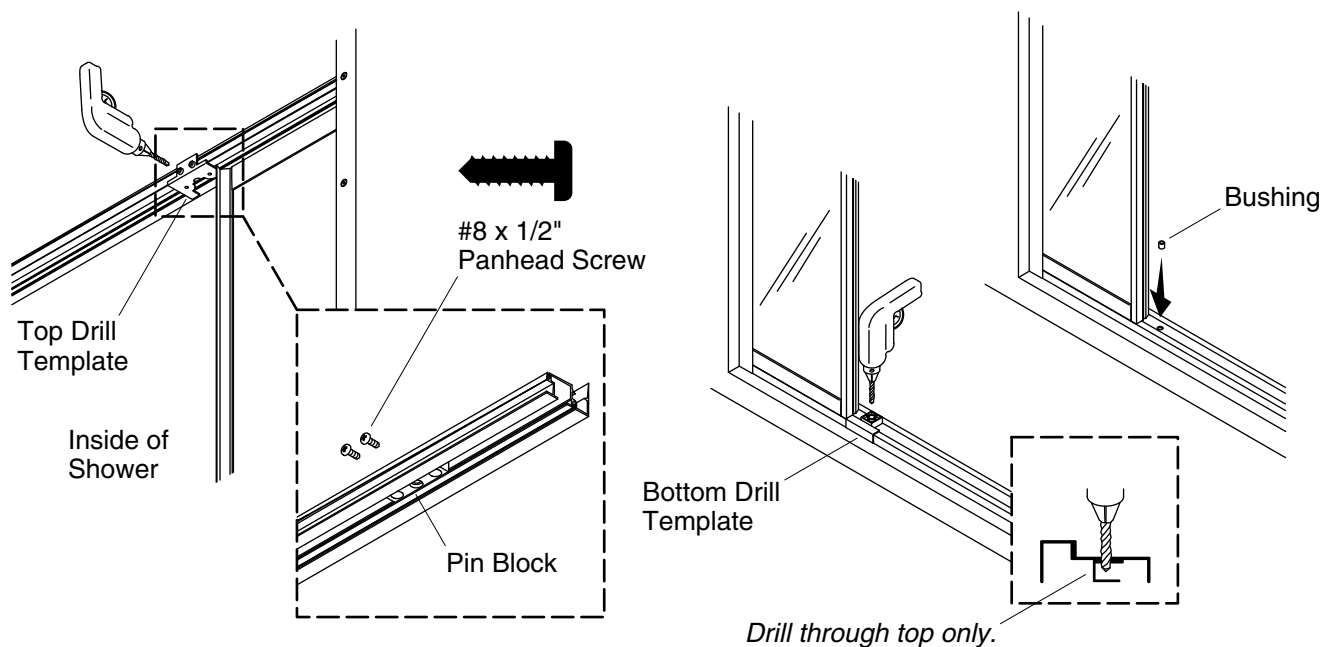
6. Install the Strike Jamb

- Position the latch in the strike jamb.
- Using the 5/64" hex wrench provided, secure the latch in place using two #6 x 1/2" flathead screws.
- Repeat for the second latch.
- Carefully slide the seal into the T-slot on the strike jamb. Do not trim the seal.
- Cut a horizontal slit in the flap of the seal 1-1/2" (3.8 cm) from each end.
- Insert the strike jamb into the wall jamb as shown. Temporarily secure it in place using masking tape.



7. Locate the Header

- Slide the pin block into the header.
- Place the header between the wall jambs with the lip oriented up and towards the outside of the shower.
- Set the header in place on top of the side panel and strike jamb. Verify the lip of the side panel frame is engaged in the small groove of the header.



8. Install the Pin Block and Bushing

Secure the Pin Block

- Insert the top drill template into the pin block.
- Slide the template with the pin block flush against the side panel.

IMPORTANT! Use the side holes of the top drill template for this installation. Do not drill through the bottom holes of the template.

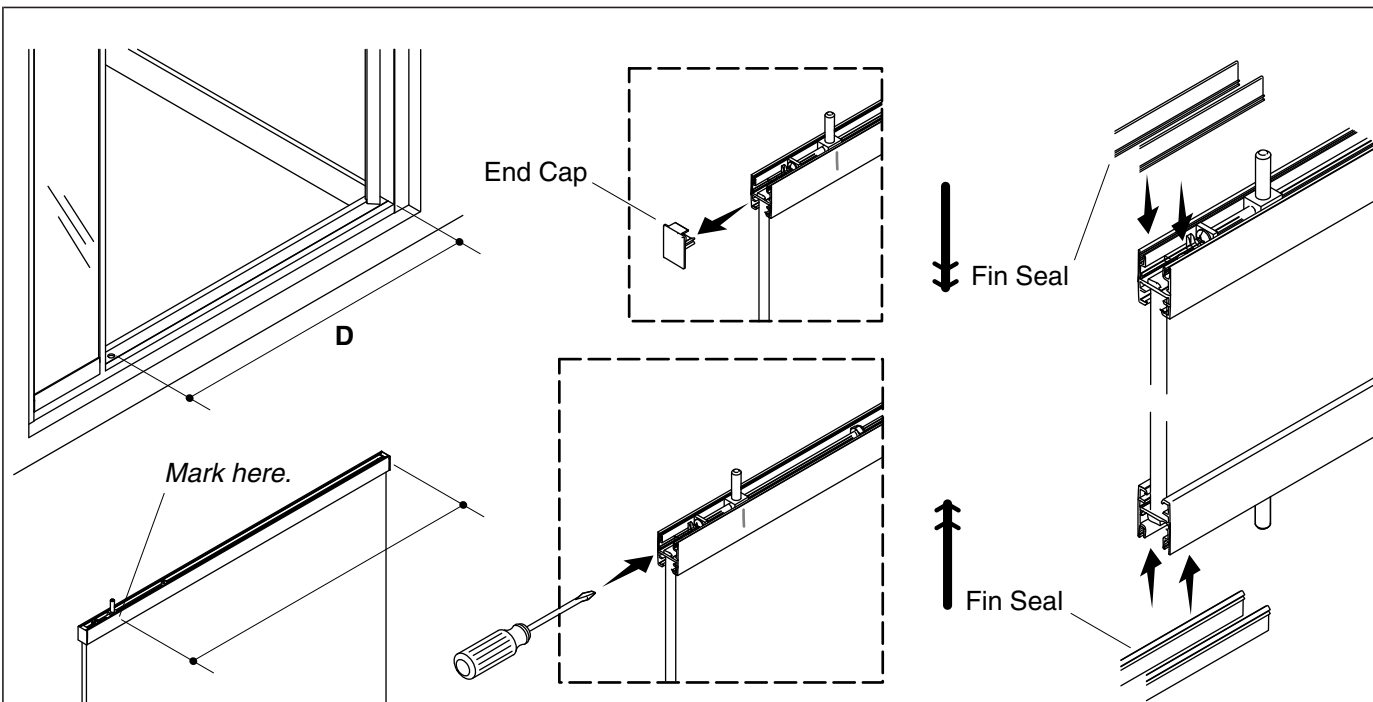
- From inside the shower, hold the top drill template and pin block in place. Using one of the side hole guides, drill a 1/8" hole into the header.
- Remove the template and secure the pin block to the header with a #8 x 1/2" pan head screw.
- Reposition the top drill template into the pin block and drill the second 1/8" hole into the side of the header.
- Remove the template and secure the pin block to the header with a #8 x 1/2" pan head screw.

Install the Bushing

- Place the bottom drill template over the threshold and flush against the side panel.

IMPORTANT! Drill only into the top surface of the threshold. Do not drill through the bottom of the threshold.

- Hold the template in place and drill a 3/8" hole into the top of the threshold.
- Use a rubber mallet to tap the metal bushing into the drilled hole.



9. Assemble the Door

NOTE: Leave a small gap at the handle side of the door for clearance from the strike jamb. The door will not close properly without this gap.

Set the Location Pins on the Door Panel

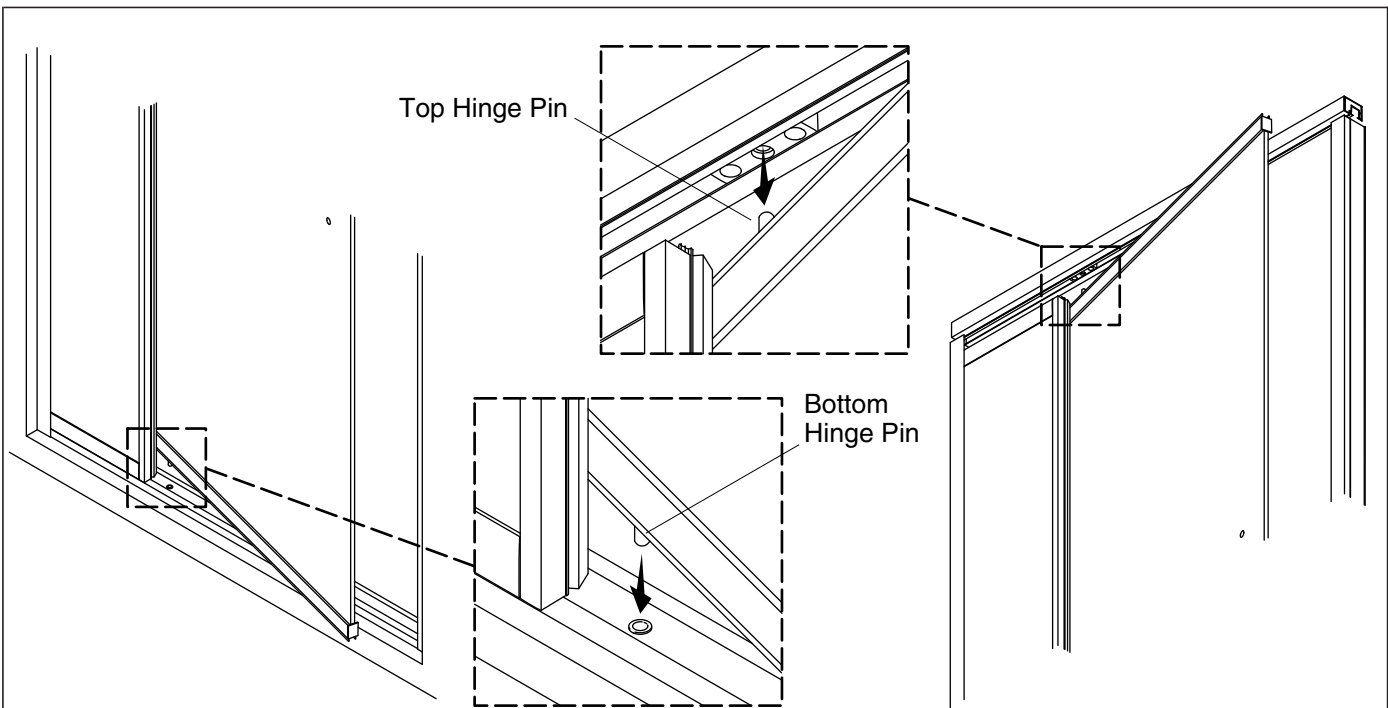
- Measure the distance "D" between the strike jamb and the edge of the bushing in the threshold.
- Measuring from the edge of the glass with holes in it, mark the distance "D" on the top and bottom frames of the door panel.

IMPORTANT! Risk of product damage. Do not pry off the end caps against the glass edge. Touching the edge of the tempered glass panel with tools or hard objects will increase the risk of shattering. A wood shim and rubber mallet can be used to carefully tap the caps off.

- Remove the pre-assembled end caps from the pin side of the top and bottom door panel frames to gain access to the pin adjusters. **Set the end caps aside.**
- Using a Phillips screwdriver, turn the top pin adjustor to move the pin to the mark on the frame. Turn the screw clockwise to move the pin closer to the edge of glass.
- Repeat for bottom pin adjustor. Do not reinstall the end caps at this time.

Install Seals to the Door Panel

- Press a fin seal in each of the two channels on the top frame and bottom frame of the door panel.
- Ensure each seal is fully inserted into the channels along the entire length of the frame. When fully engaged, the exposed portion of the seal will be 1/4" (6 mm) or less.
- If needed, trim the excess seal to the same length as the top and bottom frames.



10. Install the Door

IMPORTANT! This steps requires two installers.

- With the "Clean Coat" sticker towards the outside of the shower, lift the door panel and guide the bottom pin of the door into the bushing in the threshold.
- Lift the header and position the top pin of the door into the bushing in the pin block.
- Press the header down into place, make sure side panel frame is fully engaged in the header.

Installer #1

- Lift the door into a position so that the bottom hinge pin is above the bushing in the threshold.
- **Carefully** lower the door so the hinge pin fits into the bottom bushing. Hold the door in place while installer #2 aligns the top hinge pin.

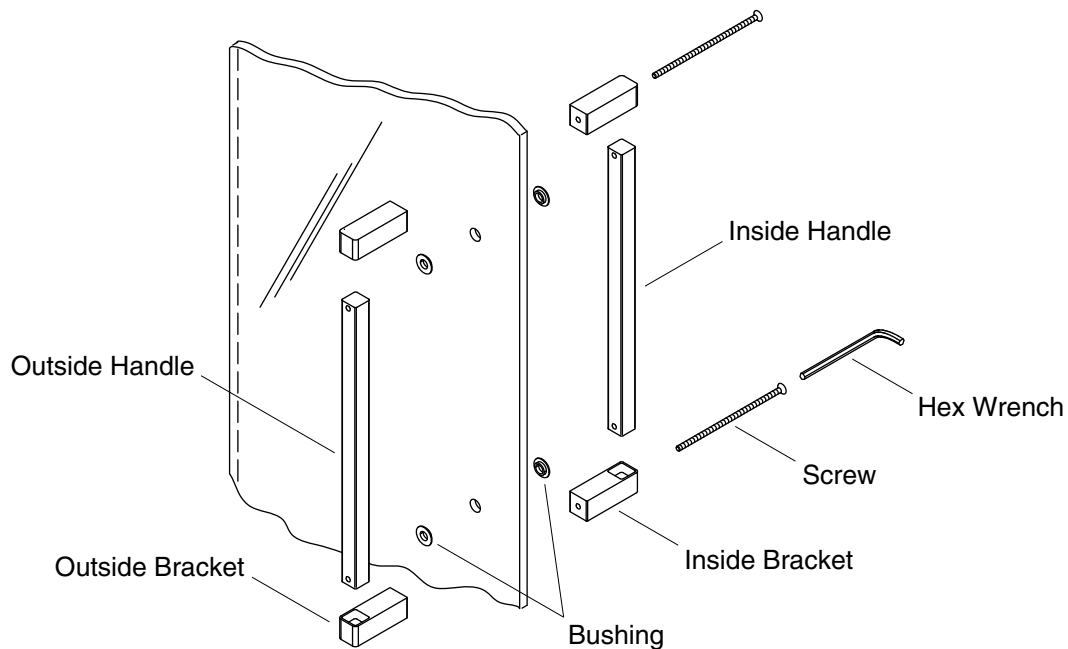
Installer #2

- Lift the header and position the door so the top hinge pin aligns with the bushing in the pin block attached to the header.
- Press the header down into place. Verify the lip of the side panel frame is engaged in the small groove of the header.

NOTE: The door may require adjustment; do not make final adjustments until the header and handle are installed.

Secure the Header

- From inside the shower, verify the lip of the side panel frame is engaged in the small groove of the header.
- Using the pre-drilled holes in the wall jambs as guides, drill a 1/8" hole into the header.
- Secure the header in place using two #8 x 3/4" flathead screws.

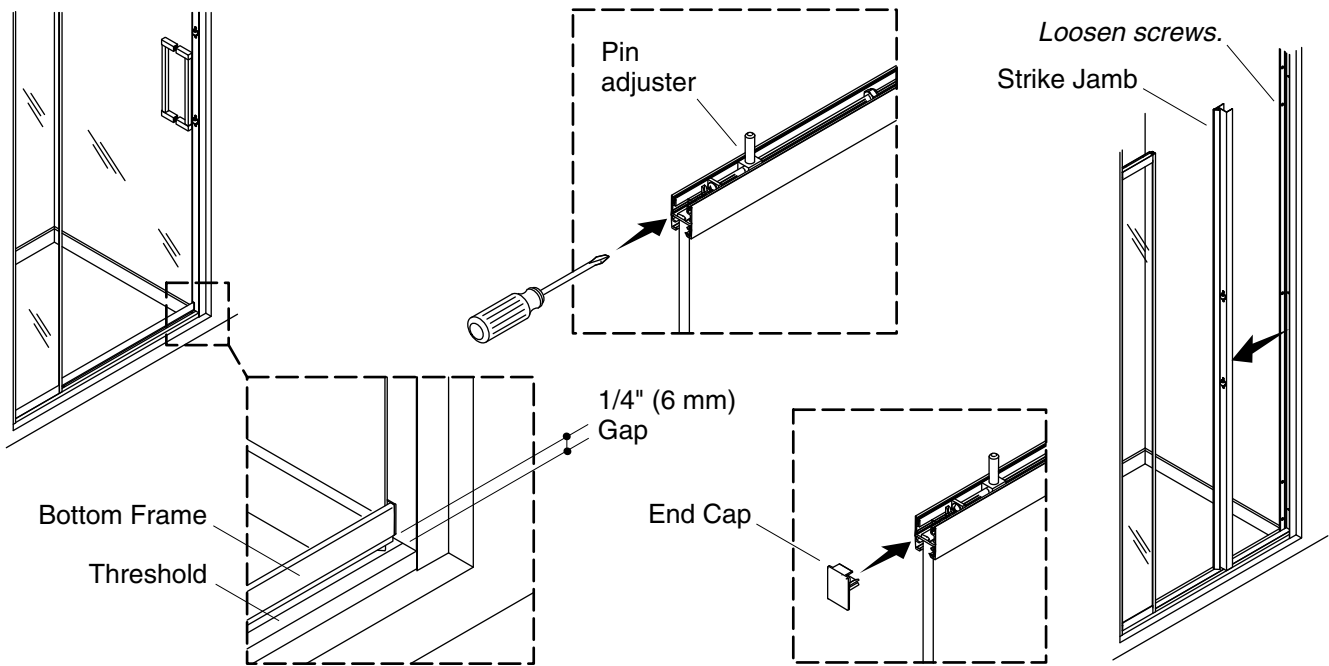


11. Install the Handles

- Identify the inside handle and brackets – with non-threaded holes. Assemble the inside brackets and handle with 2 #8 x 4-1/2" flathead screws as shown.
- Place a bushing onto each screw as shown.
- Position the inside handle assembly onto the door panel by carefully inserting the two screws through the holes in the glass.
- Place a second bushing onto each screw and into the glass holes.
- Assemble the outside brackets and handle as shown and attach to the inside handle by hand-tightening the screws.

NOTICE: Do not overtighten. Overtightening can cause damage to the door panel.

- Using the 3/32" hex wrench provided, tighten the screws to secure the handle in place.



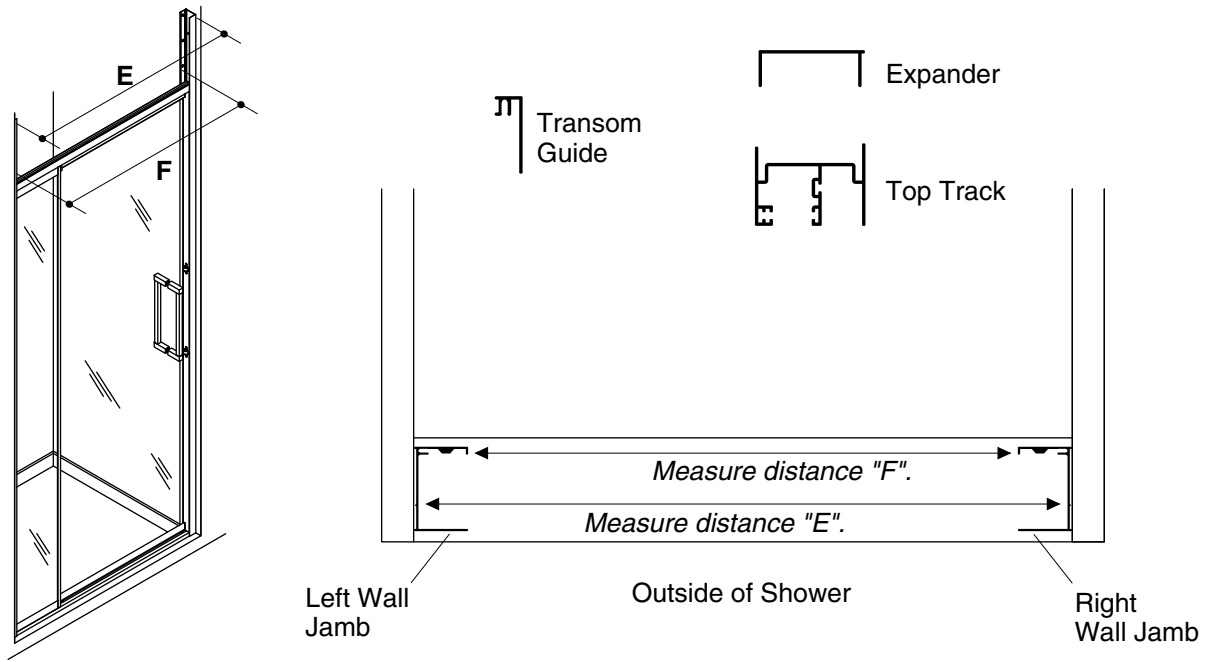
12. Adjust and Secure the Door

To Adjust the Door Panel

- Open the door to access the pin adjusters located in the top and bottom frames on the pivot side of the glass panel.
- Using a Phillips screwdriver, turn the top pin adjuster to move the pin to the mark on the frame. Turn the screw clockwise to move the pin closer to the edge of glass.
- Adjust the door so there is at least a 1/4" (6 mm) gap between the bottom frame and the top of the threshold.
- The door should be aligned evenly along the strike jamb and should open smoothly without the end caps hitting the strike jamb. If the end caps hit the strike jamb, the door or strike jamb will need further adjustment.
- Make sure the door panel compresses the strike seal along the full length of the door. If there is a gap at the top or bottom, the wall jamb will need to be adjusted.
- If the wall jamb needs adjusting, remove the strike jamb and loosen the screws holding the wall jamb in place (do not remove). Shift the wall jamb as needed and secure the screws.
- Check the opening and closing of the door to make sure the glass edges contact the latches.
- Reinstall the end caps on the top and bottom door panel frames by lightly tapping them in place using a rubber mallet.
- If the end caps are loose when reinstalled; remove, apply silicone sealant, and reinstall.

To Secure the Strike Jamb

- From inside the shower, use the pre-drilled holes in the wall jamb as a guide to drill 1/8" holes into the strike jamb.
- Secure the strike jamb in place using four #8 x 3/4" flathead screws. Do not overtighten.



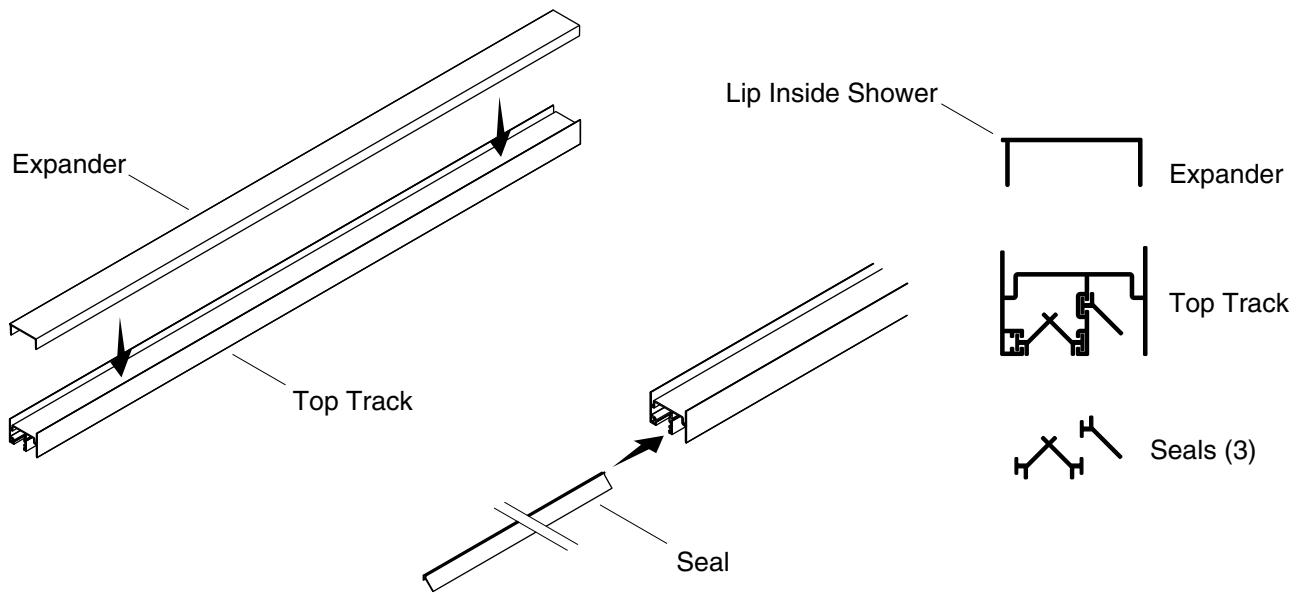
13. Cut Top Track and Expander

Top Track and Expander

- Measure distance "E" as shown at the top of the wall jambes.
- Subtract 1/8" (3 mm) from dimension "E."
- Transfer this measurement onto the top track and expander.
- Cut the top track and expander along the marked line.

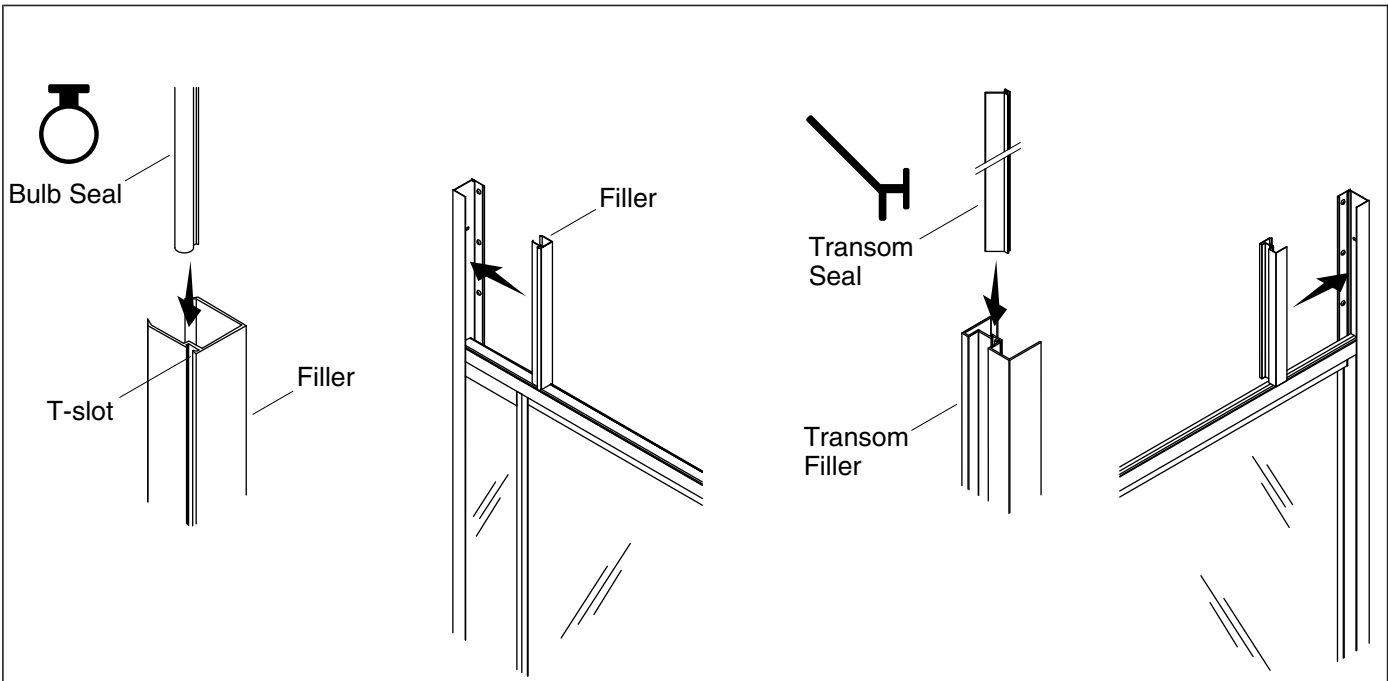
Transom Guide

- Measure distance "F," above the header, between the wall jambes.
- Transfer this measurement onto the transom guide.
- Cut the transom guide along the inside of the marked line.



14. Install the Top Track and Expander

- Cut the three transom seals to the same length as the top track.
- Slide the transom seals into the T-slots of the top track as shown.
- Insert the expander into the top track with the lip on the same side as the 2-seal channel of the top track.
- Orient the top track assembly with the lip and two seals toward the inside of the shower.
- Insert the top track assembly between the wall jambs by tilting the assembly and sliding the ends into the wall jambs.
- Push the top track assembly up to the ceiling and temporarily tape into place.



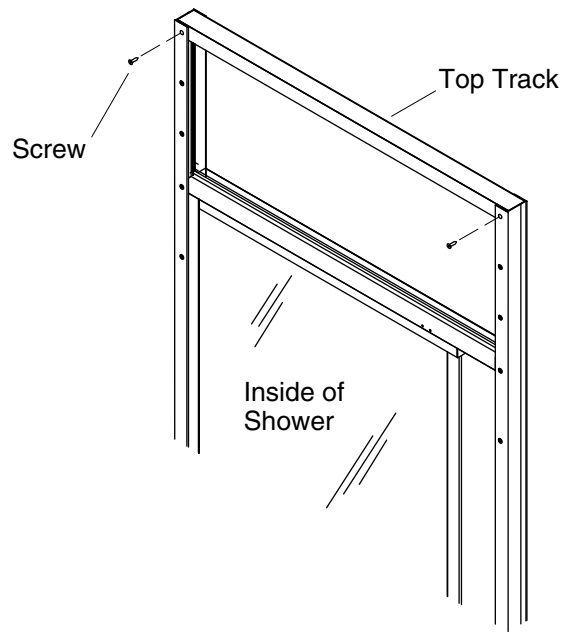
15. Install the Transom Fillers

Side Panel Side Transom Filler

- Cut the bulb seal to 12" (30.5 cm) in length.
- Slide the bulb seal into the T-slot in the filler.
- Place the filler into the wall jamb above the side panel with flat surface of the filler facing out and the bulb seal toward the outside of the shower. Do not secure at this time.

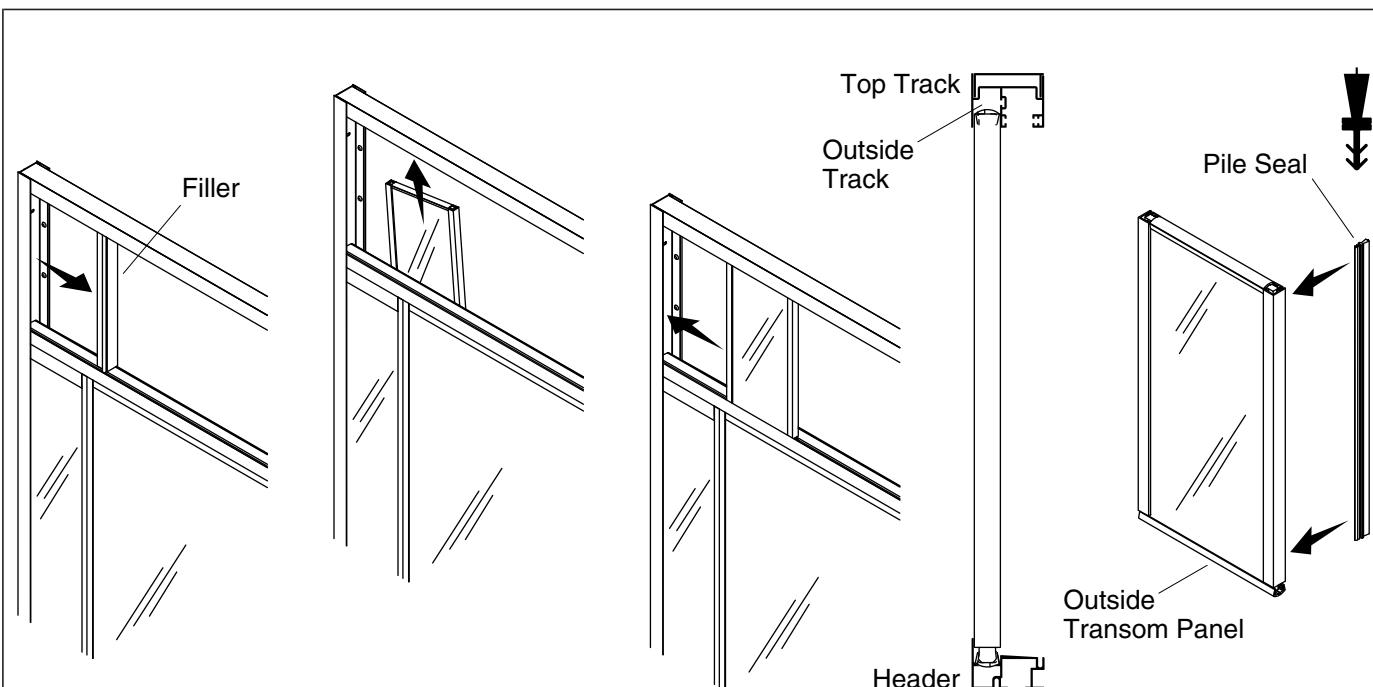
Strike Side Transom Filler

- Cut the transom seal to 12" (30.5 cm) in length.
- Slide the transom seal into the T-slot in the transom filler.
- Install the filler into the wall jamb above the strike jamb with the transom seal toward the inside of the shower.
- Using the pre-drilled holes in the wall jamb as a guide, drill 1/8" holes into the transom filler.
- Secure the transom filler to the wall jamb with two #8 x 3/4" flathead screws.



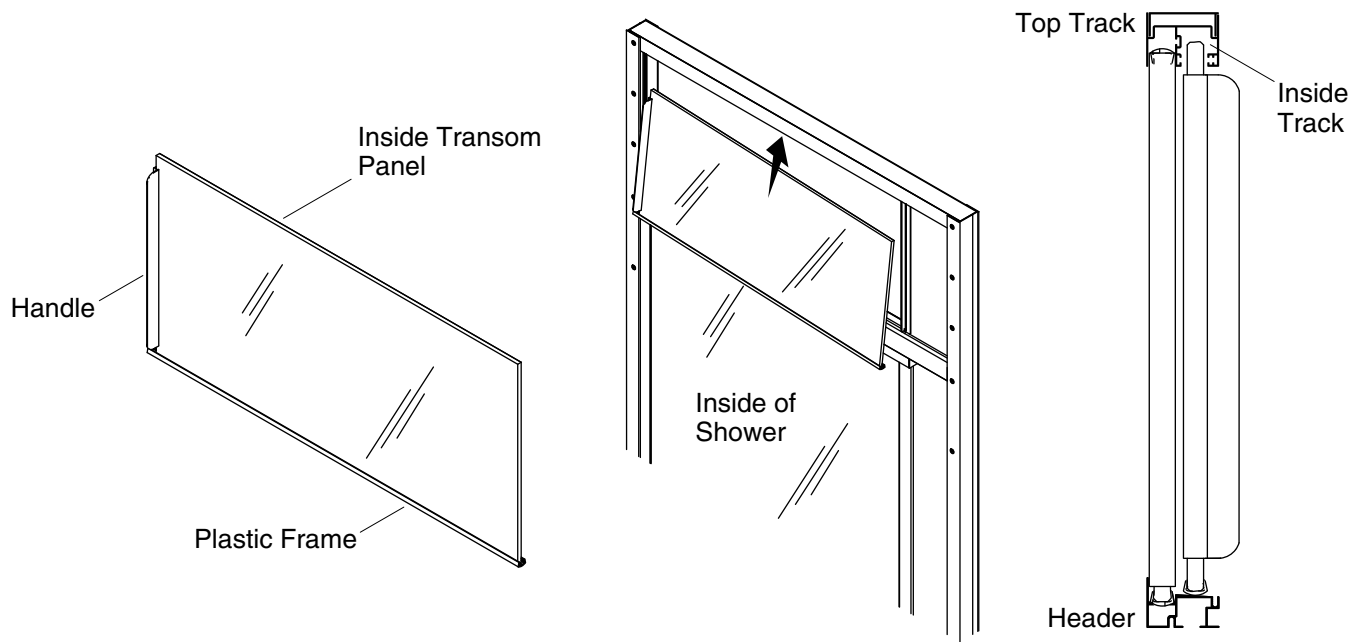
16. Secure the Top Track

- Remove the tape from the top track assembly.
- Lower the top assembly to rest on the top of both fillers.
- Using the pre-drilled holes in the wall jamb as a guide, drill 1/8" holes into the top track.
- Secure the top track with two #8 x 3/4" flathead screws.



17. Install the Outside Transom Panel

- Remove the filler above the side panel.
- Identify the top of the outside transom panel - the two metal side frames are flush with the plastic frame.
- From inside the shower, lift and tilt the outside transom panel up into the outside track of the top track.
- Tilt the bottom of the panel towards the header until it sits in the track on the top of the header.
- Slide the panel towards the wall jamb and align the side frame with the frame on the side panel.
- Reinstall the filler between the wall jamb and the panel with the bulb seal toward the panel.
- Using the pre-drilled holes in the wall jamb, drill 1/8" holes into the filler.
- Using a 3/32" hex wrench, secure the filler to the wall jamb with two #8 x 3/4" flathead screws.
- Press the pile seal into the channel on the inside of the transom panel frame.



18. Install the Inside Transom Panel

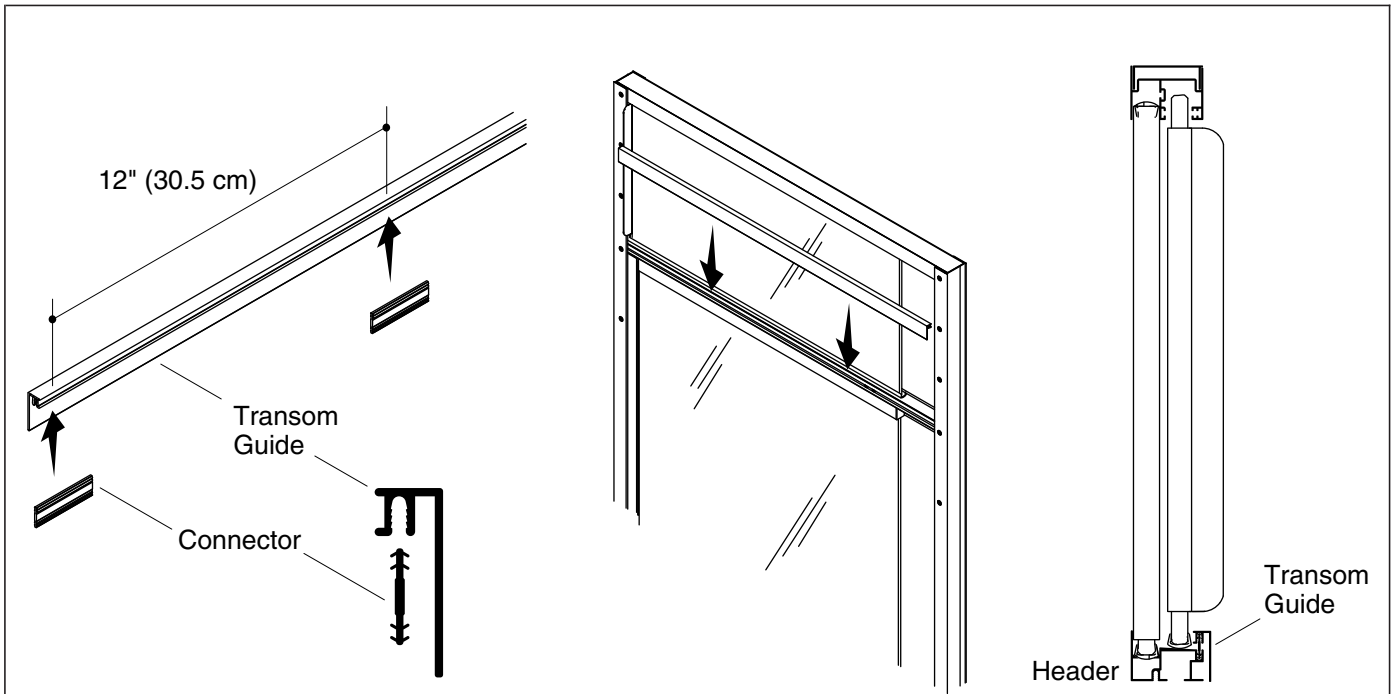
IMPORTANT! The plastic transom frame will come pre-installed to the inside transom panel. When the panel is installed, the handle will be oriented on the strike side of the door toward the inside of the shower and the plastic frame should be on the bottom. The plastic frame may be removed and reinstalled to the opposite side of the panel if needed.

- From inside the shower, lift the inside transom panel up into the inside track of the top track.
- Tilt the bottom of the panel towards the header until it sits on the top of the header.



CAUTION: Risk of injury or product damage. The panel will not be safely in place at this time. Hold the panel with two hands until it is temporarily in place inside the transom filler.

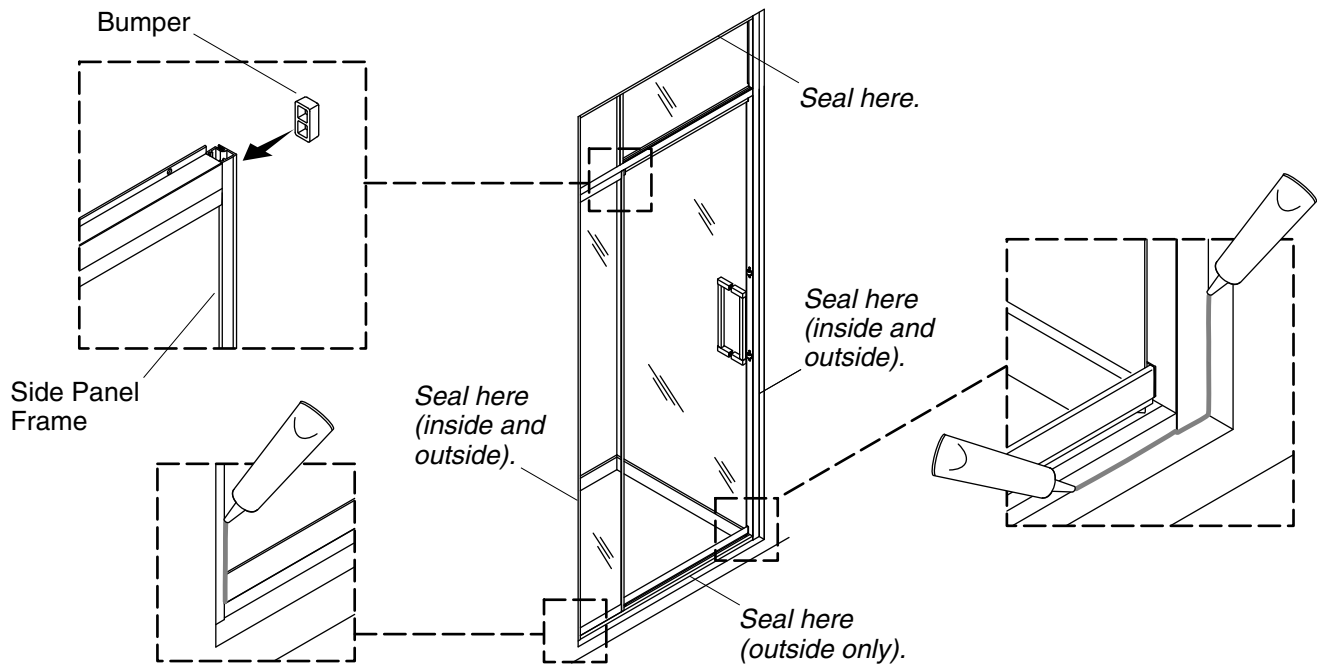
- Slide the panel into the transom filler on the strike side of the door.



19. Install the Transom Guide

- Press connectors into the channel in the transom guide. Position one connector on each end of the transom guide, then every 12" (30.5 cm) along the length of the guide.
- Press the transom assembly into the groove in the header.

NOTE: There will be a slight gap between the transom guide and the header.



20. Complete the Installation

Attach the Bumpers and Kohler Logo

- Install one bumper on the edge of the side panel frame as shown.
- Install two bumpers on the filler in the transom.
- If applicable, install the KOHLER logo on the center of the threshold (not shown).

Apply Sealant

IMPORTANT! Carefully follow the silicone sealant manufacturer's instructions for application and curing time.

NOTE: Thoroughly clean and dry all surfaces where silicone sealant will be applied.

- Use masking tape to protect areas adjacent to those where the sealant is being applied.
- Apply a bead of silicone sealant to the outside and inside of the vertical joints where wall jambs meet the wall.
- Apply a bead of sealant to the outside of the vertical joint between the wall jamb and side panel as shown.
- Apply a bead of silicone sealant to the dry side of the threshold where it meets the shower ledge. Do not apply sealant to the wet side of the threshold.
- Apply a bead of sealant where the header expander meets the ceiling to create a steam barrier.

Troubleshooting

This troubleshooting guide is for general aid only. For service and installation issues or concerns, call 1-800-4-KOHLER.

Troubleshooting Table

Symptoms	Recommended Action
Water Leaks	
1. Water leaks under the side panel.	A. From the outside the shower, apply silicone to the joint where the side panel meets the threshold.

Troubleshooting (cont.)

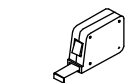
Troubleshooting Table

Symptoms	Recommended Action
2. Water leaks at intersection of side panel and wall jamb.	A. From the outside the shower, apply silicone to the joint where the side panel frame meets the wall jamb.
3. Water leaks under the door.	A. Verify all seals are in place. Refer to the "Assemble the Door" section.
	B. Adjust the door to decrease the gap between the threshold and the bottom of the door. Refer to the "Adjust and Secure the Door" section.
4. Water leaks between the door and side panel.	A. Contact the Customer Care Center to order service seal. Press the seal onto the edge of the door panel.
5. Water leaks by the strike jamb.	A. Adjust the door to decrease the gap between the door and the strike jamb. Refer to the "Adjust and Secure the Door" section.
	B. Adjust the wall jambs so the door contacts with the strike seal. Refer to the "Adjust and Secure the Door" section.
Steam Leaks	
NOTE: This product is designed to allow some steam to escape to allow for proper air movement.	
1. Steam leaks around the wall jambs/above the top track.	A. Allow the leak area to dry to completely. Apply silicone at all leak points.
2. Steam leaks around strike jamb.	A. Adjust the door to decrease the gap between the door and the strike jamb. Refer to the "Adjust and Secure the Door" section.
	B. Adjust the wall jambs so the door contacts with the strike seal. Refer to the "Adjust and Secure the Door" section.
Door Function	
1. The door hits the threshold.	A. Adjust the door to increase the gap between the door and the strike jamb to 1/4" (6 mm). Refer to the "Adjust and Secure the Door" section.
2. The door is difficult to open/shut.	A. Adjust the door to increase the gap between the door and the strike jamb so latches are not as tightly engaged. Refer to the "Adjust and Secure the Door" section.
	B. Adjust the wall jambs so the door contacts with the strike seal. Refer to the "Adjust and Secure the Door" section.
	C. Remove the bottom door seals and trim off one segment. Reinstall the seals.
3. The door opens too easily or unlatches on it's own.	A. Adjust the door to decrease the gap between the door and the strike jamb so latches are more tightly engaged. Refer to the "Adjust and Secure the Door" section.
Transom Function	
1. Inside transom panel rubs and makes noise when sliding.	A. Ensure both seals are installed in the top track. Refer to the "Install the Top Track and Expander" section.
	B. Ensure the plastic frame is installed to the bottom of the moving panel. Refer to the "Install the Inside Transom Panel" section.
	C. Ensure the top track is installed with the correct side facing toward the outside of the shower. Refer to the "Install the Top Track and Expander" section.
2. Inside transom panel does not close.	A. Ensure the transom fillers are installed correctly. Refer to the "Install the Transom Fillers" section.

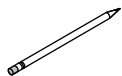
Guide d'installation

Porte de douche encadrée avec traverse

Outils et matériaux



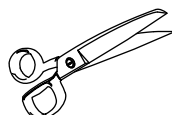
Mètre ruban



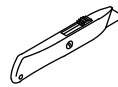
Crayon à papier



Lunettes de protection



Ciseaux



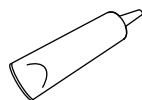
Couteau utilitaire



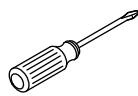
Perceuse et mèches variées



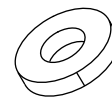
Niveau à bulle



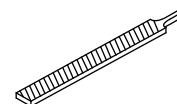
Joint en silicone



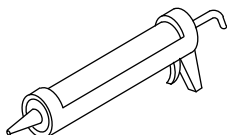
Tournevis cruciforme



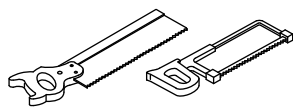
Ruban-cache



Lime



Pistolet à mastic



Scie à onglets ou à métaux avec des lames de 32 dents par pouce



Clé hexagonale 3/32" et 5/64" (fournie)

Plus:

- Toile de protection
- Maillet en caoutchouc
- Cales en bois
- Mèches 7/64", 1/8", 5/16", 3/8"

Avant de commencer



AVERTISSEMENT: Risque de blessures graves. Des dommages avant l'installation peuvent entraîner des éclatements de verre. Inspecter le verre et toutes les pièces pour y rechercher des dommages avant l'installation.



AVERTISSEMENT: Risque de blessures graves. Une installation incorrecte peut entraîner des éclatements de verre. Suivre toutes les instructions d'installation.

AVIS: Ne pas toucher les bords du verre trempé avec des outils ou d'autres objets durs. Ne pas poser le verre trempé non encadré directement sur le plancher ou sur une surface dure.



AVERTISSEMENT: Risque de blessures graves. Ne pas couper le verre trempé. Le verre trempé éclate lorsqu'il est coupé.



AVERTISSEMENT: Risque de blessures graves. La porte de la douche et les panneaux latéraux peuvent éclater. Inspecter régulièrement le verre et toutes les pièces pour y rechercher des dommages, ou des pièces manquantes ou desserrées.



AVERTISSEMENT: Risque de blessures graves. Toujours porter des lunettes de sécurité pendant la découpe et le perçage.

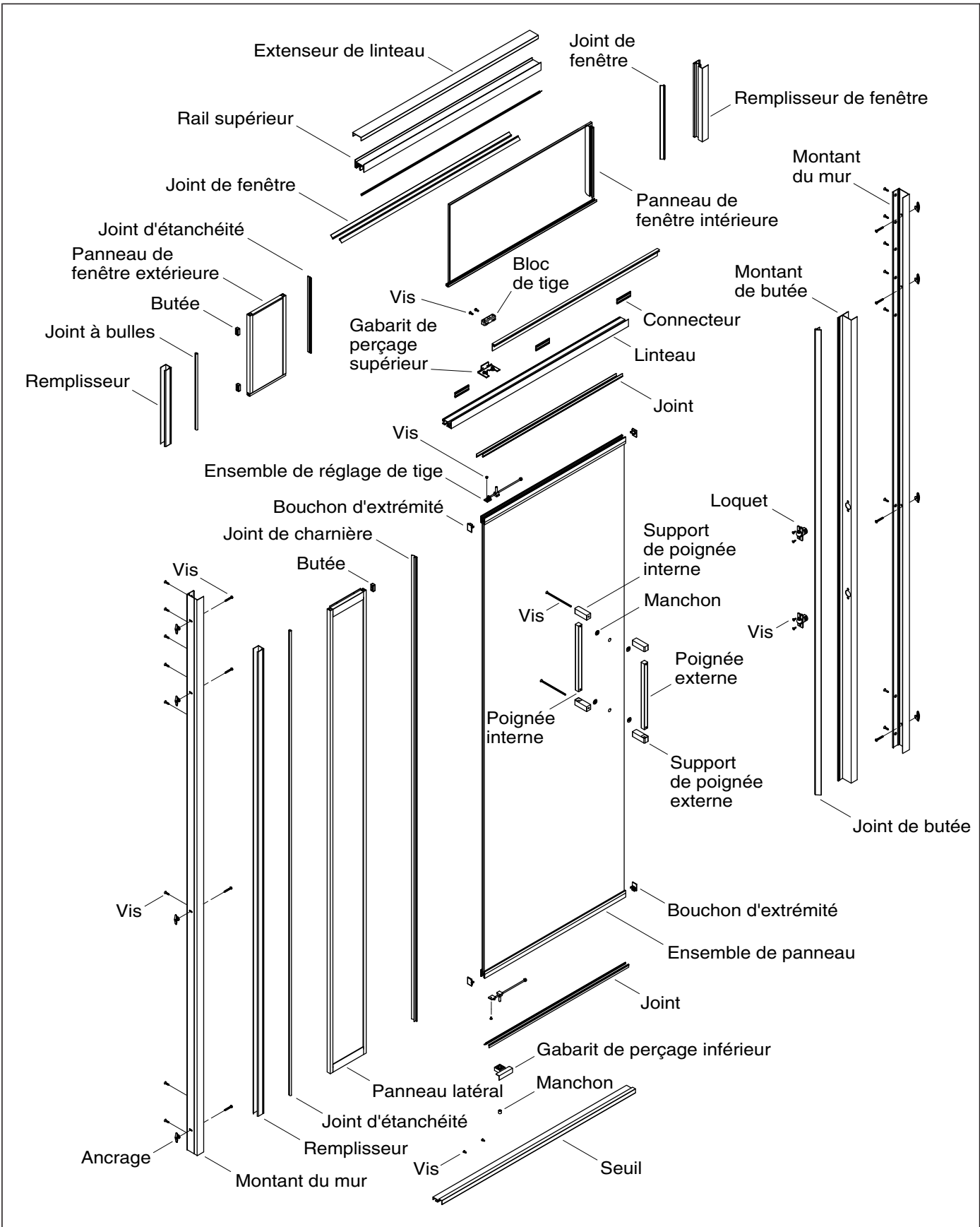
IMPORTANT! Laisser ce manuel pour l'utilisateur final. Lire ces instructions avant d'installer ou d'utiliser ce produit.

REMARQUE: Enregistrer le numéro du modèle dans le guide du propriétaire. Le numéro de modèle adéquat permet à nos représentants du service après-vente d'aider rapidement si cela s'avérait nécessaire.

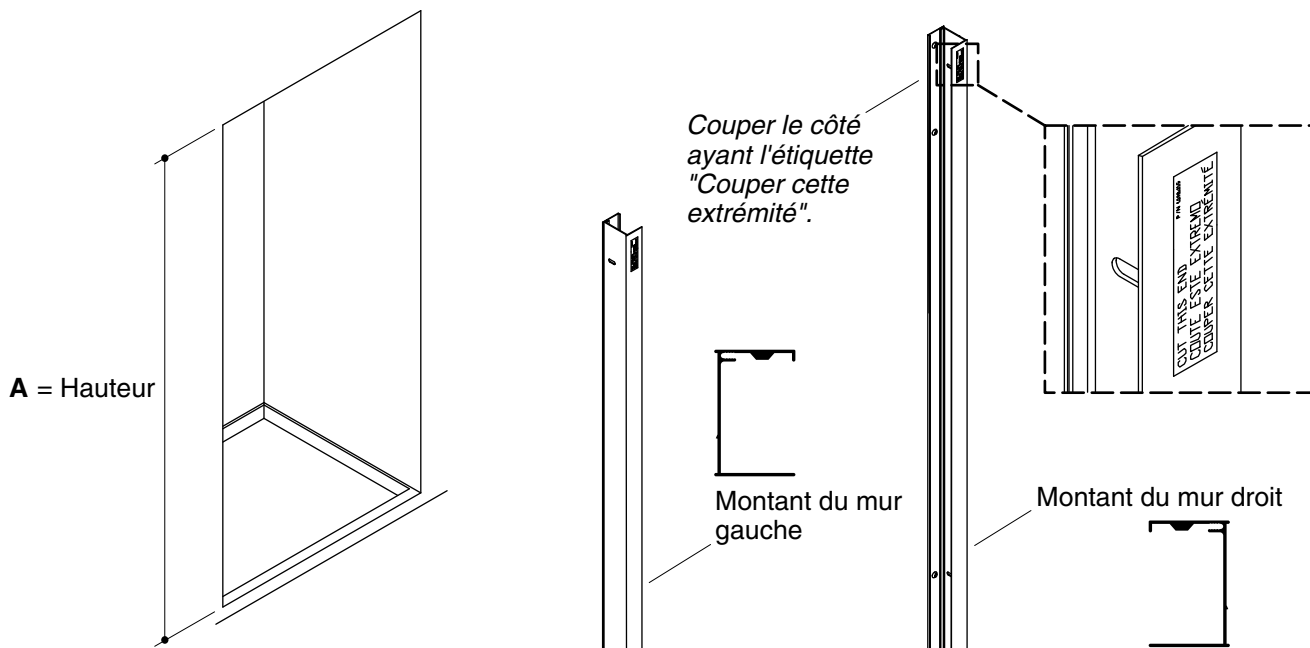
Avant de commencer (cont.)

IMPORTANT! Cette porte est conçue pour s'adapter à des murs qui ont un faux aplomb de moins de 3/8" (1 cm). Vérifier que la zone sur laquelle la porte sera fixée est comprise dans 3/8" (1 cm) de l'aplomb, ou mieux. La porte risque de ne pas fonctionner correctement si le faux aplomb du mur est supérieur à 3/8" (1 cm).

- La porte Kohler neuve peut être installée avec une ouverture de la porte vers la droite ou vers la gauche. Installer la porte avec le côté pivotement éloigné de la pomme de douche pour obtenir les meilleurs résultats possibles. Ces instructions indiquent la porte installée avec une charnière à gauche. Les portes avec charnière à droite seraient l'inverse.
- Avant de commencer l'installation, étaler et identifier toutes les pièces. Vérifier qu'elles sont en bon état.
- Le collecteur de la douche doit être installé et préparé à ce point, y compris les matériaux de finition murale.
- Placer une toile de protection dans le bas de la douche pour recouvrir le drain et faciliter le nettoyage.
- Suivre de près les instructions relatives à l'application de mastic sur la porte. Le scellage de zones qui ne sont pas indiquées pourrait créer des fuites.
- Deux personnes doivent effectuer cette installation.
- Kohler Co. se réserve le droit d'apporter toute modification à la conception des produits et ce, sans avis préalable, tel que spécifié dans le catalogue des prix.



Identification des pièces



1. Déterminer la configuration de la porte

IMPORTANT! Les instructions d'assemblage varient en fonction de la configuration de pivotement choisie (gauche ou droite). Une installation "charnière à gauche" est illustrée pour ces instructions.

- Déterminer si la porte pivote sur la droite ou la gauche.

REMARQUE: La porte est articulée sur le même côté que celui du panneau latéral.

- S'assurer que la porte peut pivoter librement dans la configuration choisie.
- La hauteur de l'ouverture "A" de l'installation doit être comprise entre 89" (226,1 cm) et 89-1/2" (227,3 cm).

2. Mesurer et couper les montants de mur

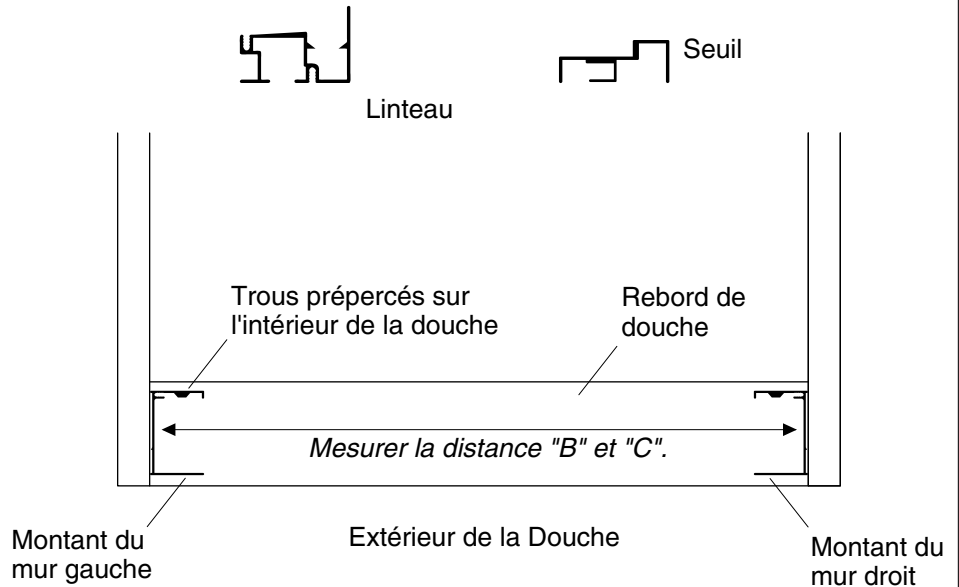
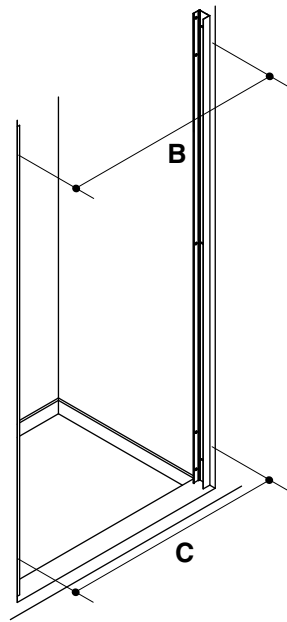


ATTENTION: Risque de blessures. Toujours porter des lunettes de sécurité pendant la découpe.

IMPORTANT! Les montants de mur doivent reposer à ras des murs latéraux et du rebord de la douche. Si la douche a des coins arrondis à l'emplacement ou les murs latéraux entrent en contact avec le rebord, il sera peut être nécessaire de limer les extrémités inférieures des montants de mur pour les former.

REMARQUE: Une étiquette marque le dessus de chaque montant de mur. Ne pas retirer les étiquettes avant d'avoir installé les montants de mur.

- Mesurer avec précaution la hauteur "A" de l'ouverture finie. Se reporter à la fiche de raccordement pour confirmer que la porte s'adaptera dans l'ouverture finie.
- Couper les montants de mur à cette mesure. S'assurer de couper l'extrémité portant l'étiquette "Cut this end" (Couper ce côté). Pour obtenir les meilleurs résultats possibles, utiliser une scie à métaux de 32 dents par pouce et une boîte à ongles.

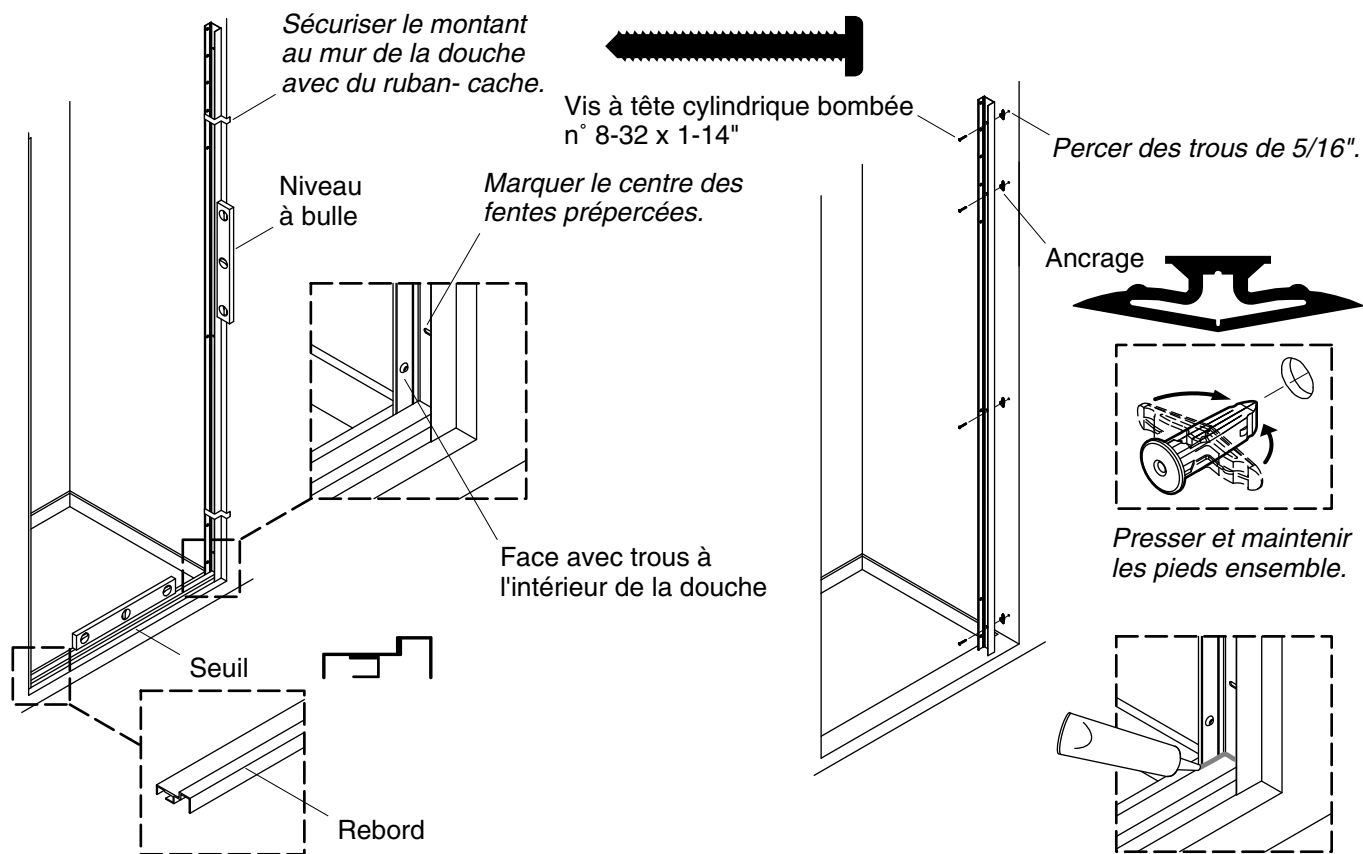


3. Mesurer et couper le linteau et le seuil



ATTENTION: Risque de blessures. Toujours porter des lunettes de sécurité pendant la découpe.

- Sécuriser temporairement les montants de mur sur les murs latéraux de l'ouverture finie avec du ruban-cache. Orienter les montants de mur de manière à ce que les trous de vis soient tournés vers l'intérieur de la douche et que l'étiquette "Top" (Haut) se trouve dans le haut.
- Mesurer avec précaution la distance (B) entre le haut des montants de mur, à 76" (193 cm) au-dessus du rebord de la douche. Marquer cette distance sur le linteau.
- Mesurer avec précaution la distance (C) entre le bas des montants de mur. Marquer cette distance sur le seuil.
- Couper le long de l'intérieur de la ligne marquée pour couper le linteau et le seuil à la longueur voulue.
- Utiliser une lime pour retirer les bavures à l'emplacement des coupes.



4. Installer les montants de mur et le seuil

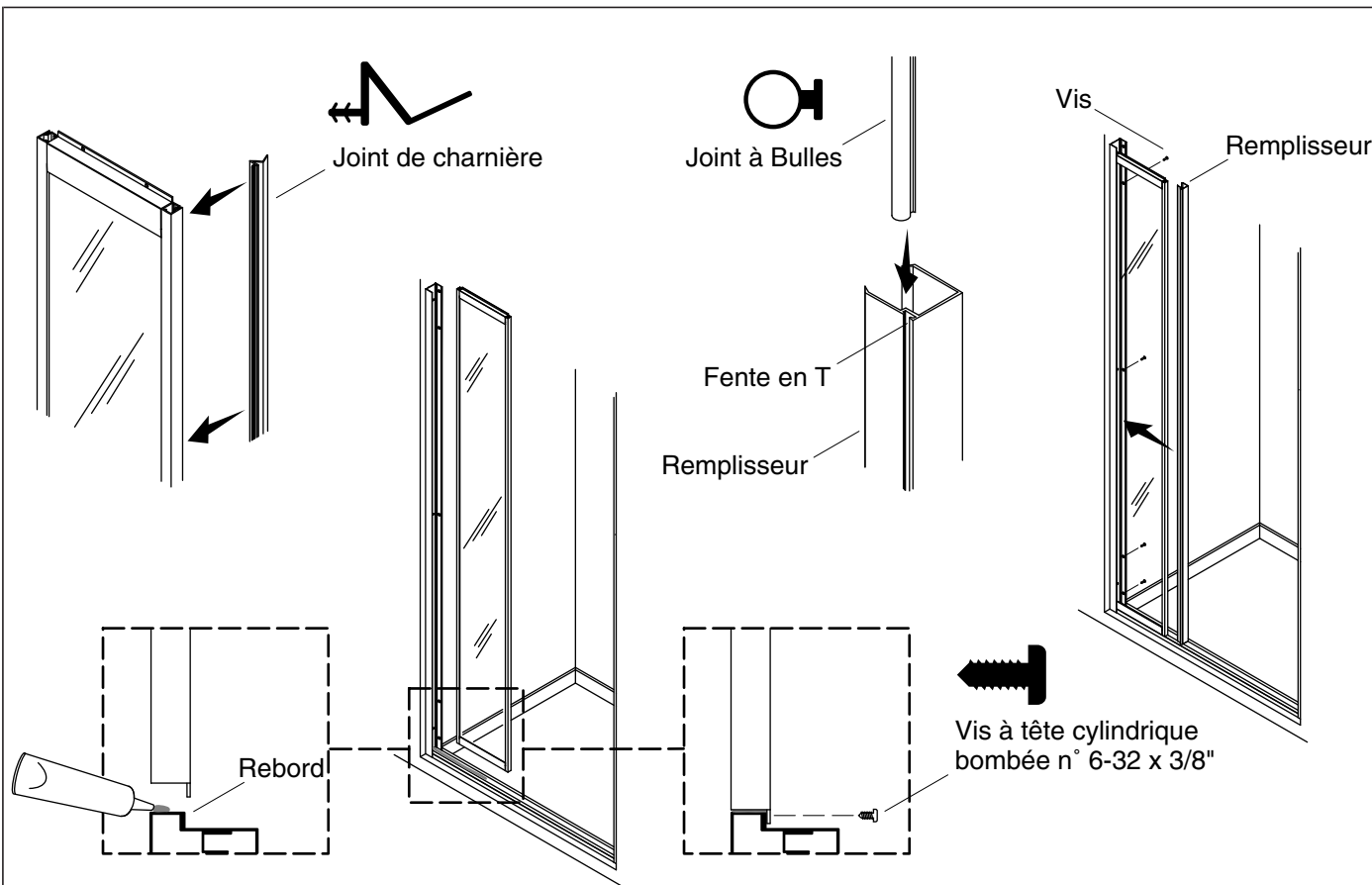
- Insérer les extrémités du seuil entre les montants de mur avec la lèvre tournée vers l'extérieur de la douche.
- Vérifier que le seuil est assis à plat sur le rebord de la douche. Ajuster les montants de mur et le seuil selon les besoins pour assurer que le seuil soit parallèle à toute la longueur du rebord de la douche.
- Mettre les deux montants de mur d'aplomb en utilisant un niveau.
- À l'aide d'un crayon, marquer la position du bas des deux montants de mur sur le rebord de la douche et sur le mur à proximité du haut des montants de mur.
- Marquer les centres des quatre fentes de montant de mur sur la paroi de la douche.
- Retirer les montants de mur et le seuil
- Percer des trous de 5/16" aux emplacements marqués.
- Bien nettoyer le rebord de la douche.
- Insérer des chevilles d'ancrage dans les trous percés.

IMPORTANT! Si le rebord du collecteur de douche n'est pas à plat, il sera nécessaire de caler le seuil de manière à ce qu'il soit installé à plat et de niveau.

- En utilisant les repères comme référence, repositionner le seuil et les montants de mur dans l'ouverture de la douche.
- Fixer les montants de mur sur la paroi de la douche avec des vis à tête cylindrique #8 x -1-1/4".
- Vérifier que les montants de mur sont d'aplomb. Effectuer les ajustements les besoins.

Installer les montants de mur et le seuil (cont.)

- Appliquer du mastic à la silicone au niveau de l'intersection, à l'emplacement où chaque montant de mur entre en contact avec le seuil.
- Retirer les étiquettes des montants de mur.



5. Installer le panneau latéral

Installer le panneau latéral

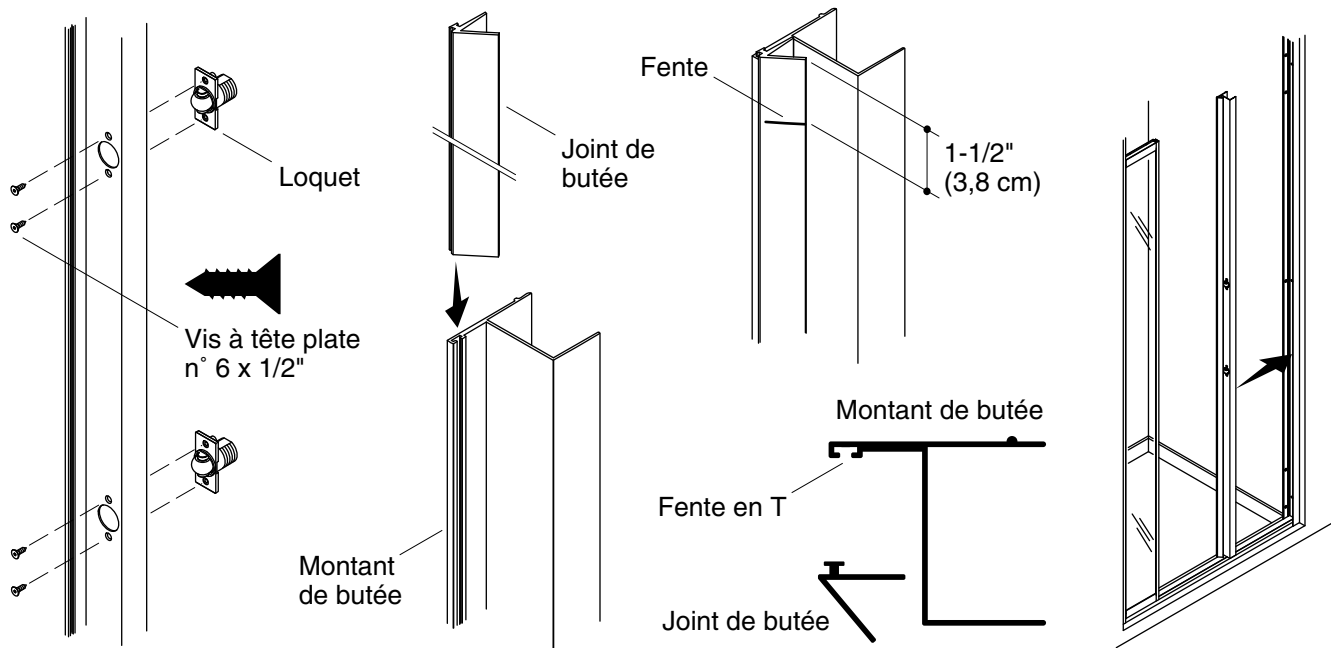
- Mesurer la largeur du panneau latéral.
- À partir du montant de mur, à l'emplacement auquel le panneau latéral sera installé, marquer la largeur mesurée sur le seuil.
- Appliquer un boudin de mastic à la silicone le long du haut du seuil, entre le montant de mur et l'emplacement marqué.
- Orienter le panneau latéral avec l'étiquette dirigée vers le montant de mur et la lèvre inférieure dirigée vers l'intérieur de la douche.
- Placer le panneau latéral sur le seuil et le faire glisser à ras contre le montant de mur.
- Vérifier que le panneau latéral est assis à ras du seuil.
- À l'aide d'une mèche de 7/64", percer un trou dans le seuil à travers chacun des 2 trous prépercés dans la lèvre du panneau latéral.
- Fixer le panneau latéral sur le seuil avec deux vis à tête cylindrique #6-32 x 3/8".

Installer le remplisseur du panneau latéral

- Glisser le bourrelet d'étanchéité dans la rainure de la fente en T se trouvant sur le remplisseur.
- Utiliser des ciseaux ou un couteau tout usage pour couper la quantité excessive du bourrelet d'étanchéité de manière à ce que le bourrelet soit à ras du dessus du remplisseur.
- À partir de l'intérieur de la douche, insérer le remplisseur entre le panneau latéral du montant de mur et la surface plate du remplisseur vers le panneau latéral.
- À l'aide des trous prépercés dans le montant de mur, percer des trous de 1/8" dans le remplisseur.

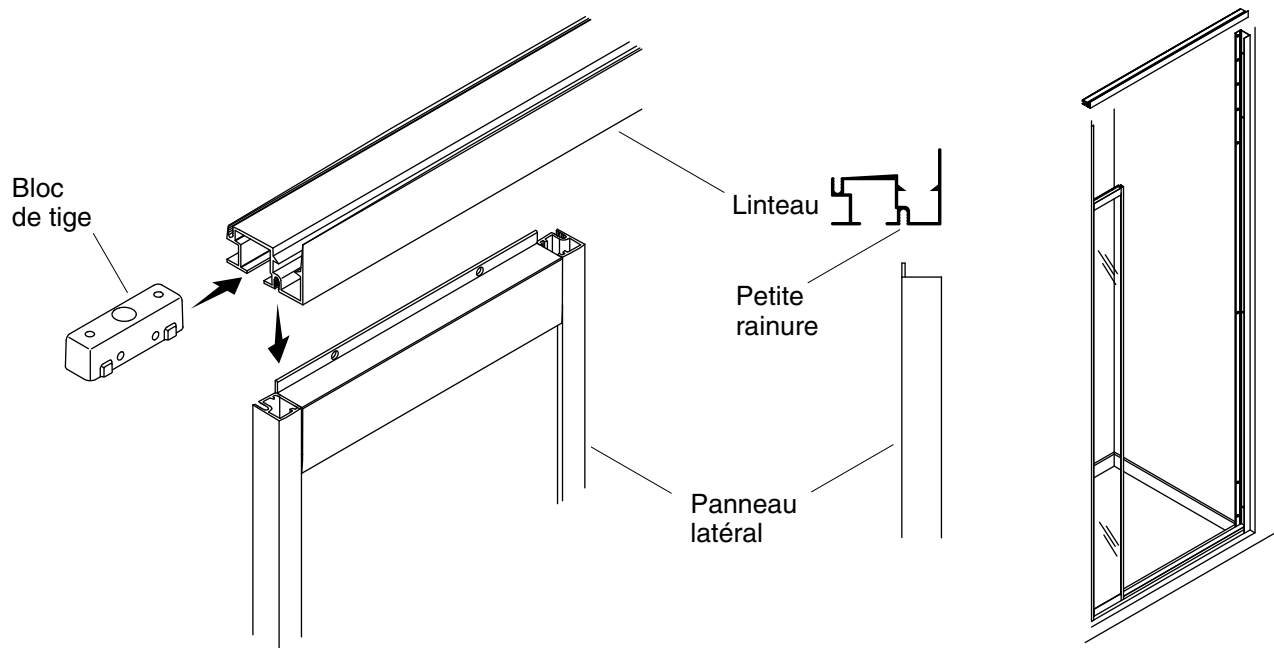
Installer le panneau latéral (cont.)

- À l'aide d'une clé hexagonale de 3/32", fixer le remplisseur sur le montant de mur avec quatre vis à tête plate #8 x 3/4".
- Enfoncer le joint d'étanchéité de la charnière dans le canal sur l'intérieur du cadre du panneau latéral.
- Couper le rabat du joint d'étanchéité de la charnière à 1-1/4" (3,2 cm) sur chaque extrémité. Ceci permet de complètement fermer la porte.



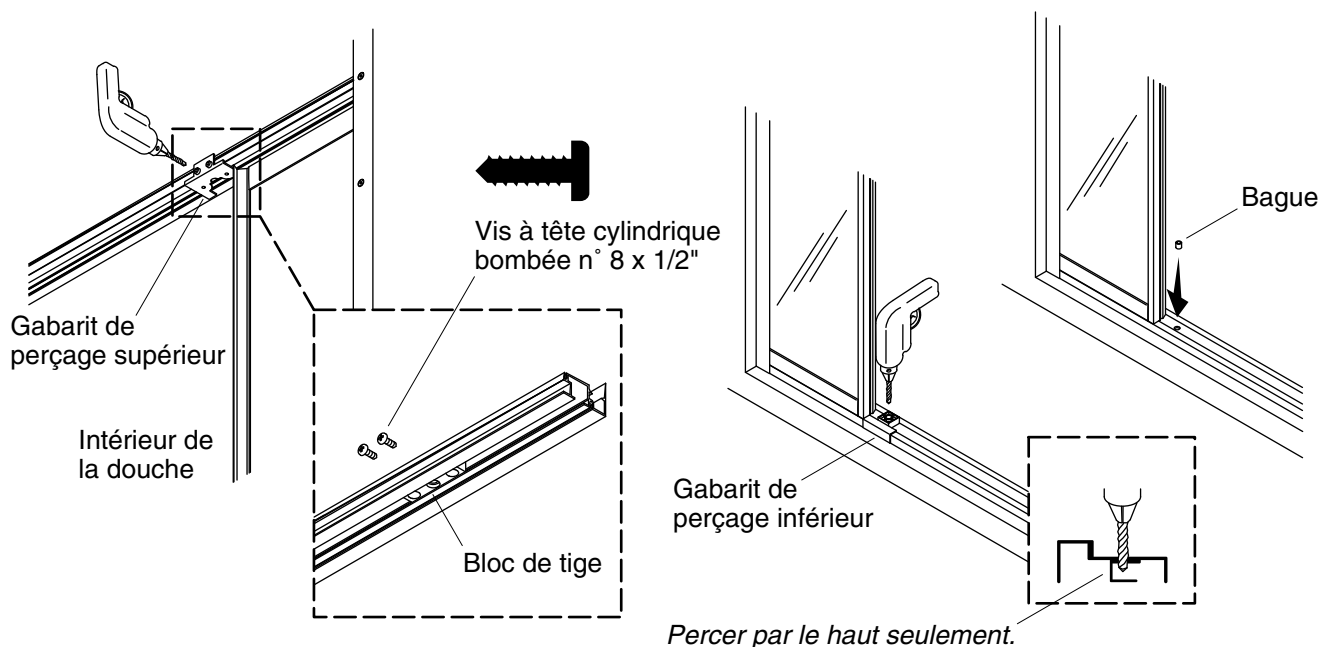
6. Installer le montant avec gâche

- Positionner le loquet dans le montant avec gâche.
- À l'aide de la clé hexagonale de 5/64" fournie, fixer le loquet en place en utilisant deux vis à tête plate #6 x 1/2".
- Répéter la procédure pour le deuxième loquet.
- Glisser avec précaution le joint d'étanchéité dans la fente en T sur le montant avec gâche. Ne pas couper le joint d'étanchéité.
- Couper une fente horizontale dans le rabat du joint d'étanchéité à 1-1/2" (3,8 cm) de chaque extrémité.
- Insérer le montant avec gâche dans le montant de mur comme sur l'illustration. Fixer temporairement en place en utilisant le ruban-cache.



7. Positionner le linteau

- Glisser le bloc à goupilles dans le linteau.
- Placer le linteau entre les deux montants de mur avec la lèvre orientée vers le haut et vers l'extérieur de la douche.
- Mettre le linteau en place sur le dessus du panneau latéral et du montant avec gâche. Vérifier que la lèvre du cadre du panneau latéral soit engagée dans la petite rainure du linteau.



8. Installer le bloc à goupilles et la bague

Fixer le bloc à goupilles en place

- Insérer le gabarit de perçage supérieur dans le bloc à goupilles.
- Glisser le gabarit avec le bloc à goupilles à ras du panneau latéral.

IMPORTANT! Utiliser les trous latéraux du gabarit de perçage supérieur pour cette installation. Ne pas percer à travers les trous inférieurs du gabarit.

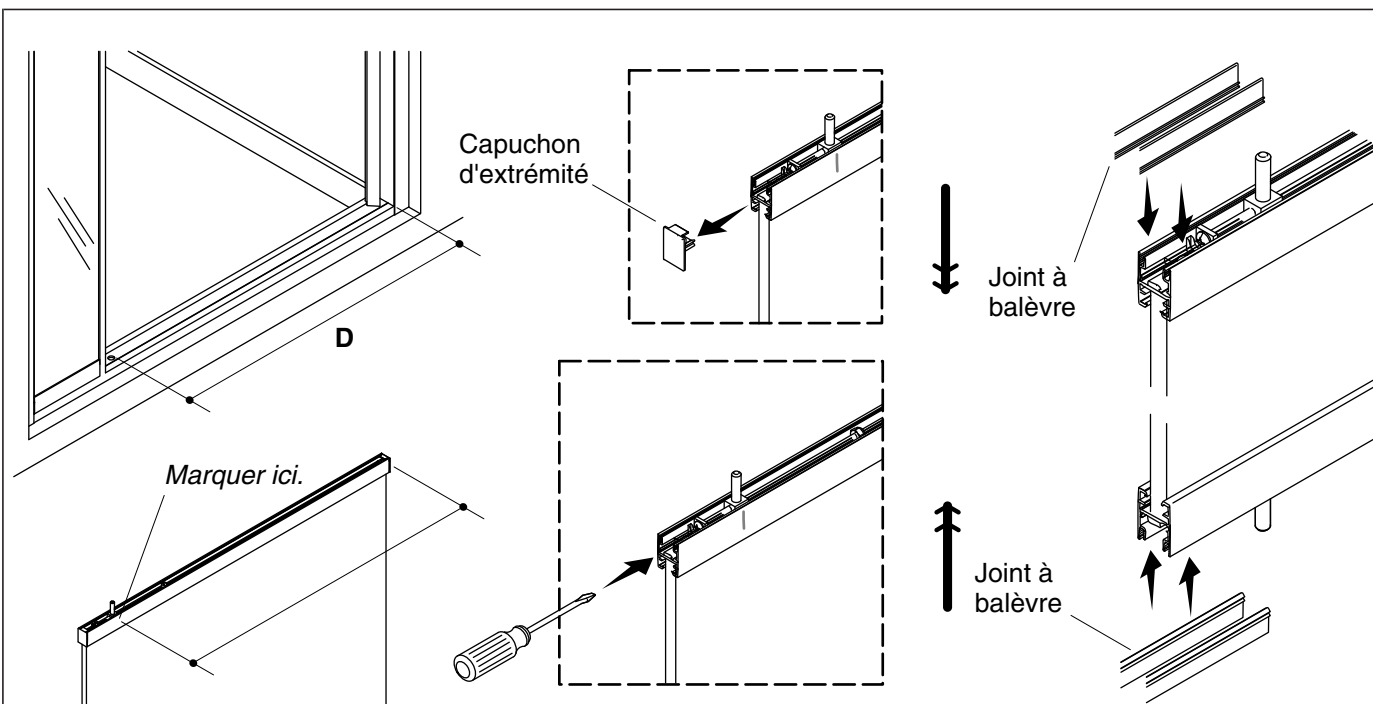
- À partir de l'intérieur de la douche, tenir le gabarit de perçage supérieur et le bloc à goupilles en place. À l'aide de l'un des guides de trous latéraux, percer un trou de 1/8" dans le linteau.
- Retirer le gabarit et fixer le bloc à goupilles en place sur le linteau avec une vis à tête cylindrique #8 x 1/2".
- Repositionner le gabarit de perçage supérieur dans le bloc à goupilles et percer le deuxième trou de 1/8" dans le côté du linteau.
- Retirer le gabarit et fixer le bloc à goupilles en place sur le linteau avec une vis à tête cylindrique #8 x 1/2".

Installer la bague

- Placer le gabarit de perçage inférieur par-dessus le seuil et à ras du panneau latéral.

IMPORTANT! Seulement percer dans la surface supérieure du seuil. Ne pas percer à travers le bas du seuil.

- Tenir le gabarit en place et percer un trou de 3/8" dans le dessus du seuil.
- Utiliser un maillet en caoutchouc pour tapoter la bague métallique dans le trou percé.



9. Assembler la porte

REMARQUE: Laisser un petit écartement au niveau du côté poignée de la porte pour assurer un dégagement avec le montant avec gâche. La porte ne se ferme pas correctement si cet écartement est absent.

Placer les goupilles de positionnement sur le panneau de porte

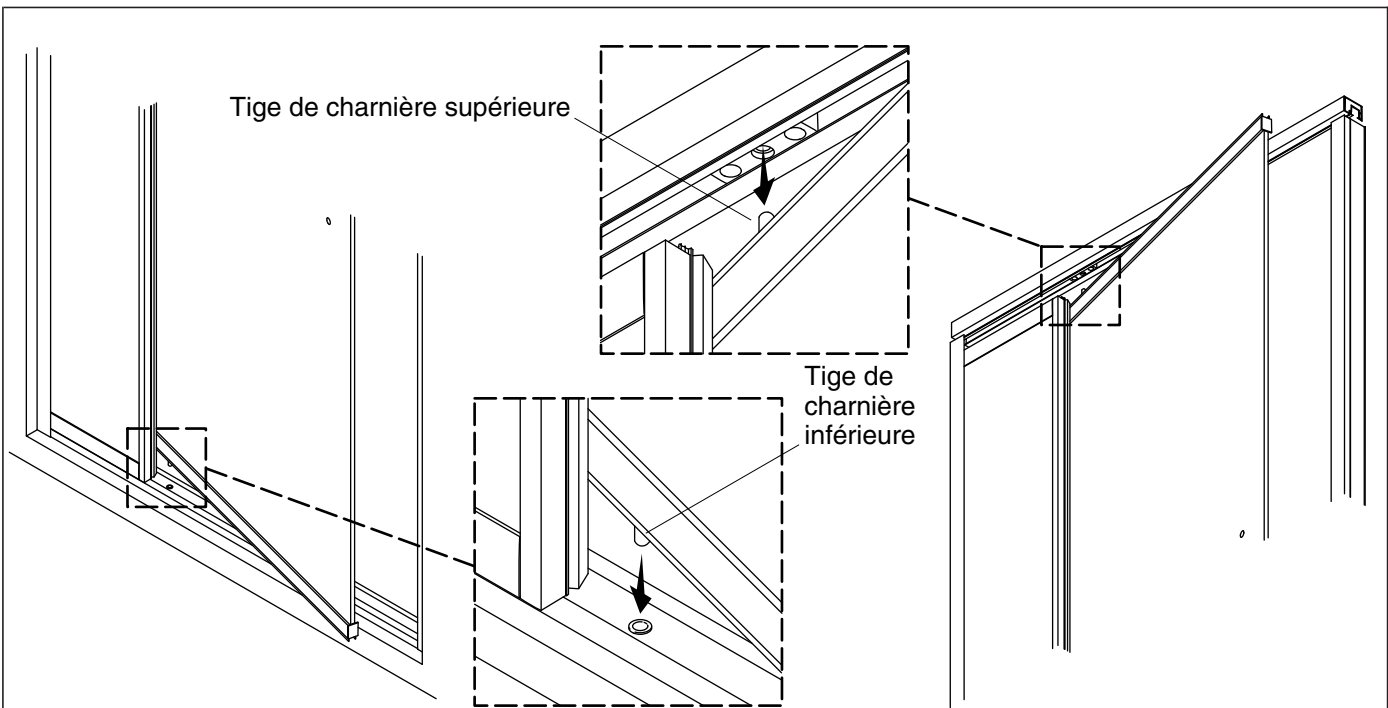
- Mesurer la distance "D" entre le montant avec gâche et le bord de la bague dans le seuil.
- Mesurer entre le bord du verre avec trous et marquer la distance "D" sur les cadres du haut et du bas du panneau de porte.

IMPORTANT! Risque d'endommagement du produit. Ne pas soulever les capuchons d'extrémité contre le bord du verre. Le risque d'éclatement augmente lorsque l'on touche le bord du panneau de verre trempé avec des outils ou des objets durs. Une cale en bois et un maillet en caoutchouc peuvent être utilisés pour tapoter avec précaution sur les capuchons et les dégager.

- Retirer les capuchons d'extrémité préassemblés du côté goupilles des cadres de panneau de porte supérieur et inférieur pour pouvoir accéder aux régleurs de goupilles. **Mettre les capuchons d'extrémité de côté.**
- À l'aide d'un tournevis cruciforme, tourner le régleur de la goupille supérieure pour amener la goupille sur le repère se trouvant sur le cadre. Tourner la vis dans le sens horaire pour amener la goupille plus près du bord du verre.
- Répéter pour le régleur de la goupille inférieure. Ne pas réinstaller les capuchons d'extrémité pour l'instant.

Installer les joints d'étanchéité sur le panneau de porte

- Enfoncer un joint à bords repliés dans chacun des deux canaux se trouvant sur le cadre supérieur et le cadre inférieur du panneau de porte.
- S'assurer que chaque joint est entièrement inséré dans les canaux le long de toute la longueur du cadre. Lorsqu'il est entièrement engagé, la partie exposée du joint sera égale à 1/4" (6 mm) ou moins.
- Si nécessaire, couper la quantité excessive de joint à la même longueur que celle des cadres supérieur et inférieur.



10. Installer la porte

IMPORTANT! Deux installateurs doivent exécuter cette étape.

- Avec l'autocollant "Clean Coat" (Revêtement propre) dirigé vers l'extérieur de la douche, lever le panneau de porte et guider la goupille inférieure de la porte dans la bague se trouvant dans le seuil.
- Lever le linteau et positionner la goupille supérieure de la porte dans la bague se trouvant dans le bloc à goupilles.
- Enfoncer le linteau en place en s'assurant que le cadre du panneau latéral est entièrement engagé dans le linteau.

Installateur #1

- Lever la porte pour la mettre en position de manière à ce que l'axe d'articulation inférieur soit placé au-dessus de la bague se trouvant dans le seuil.
- Abaisser **avec précaution** de manière à ce que l'axe d'articulation s'adapte dans la bague inférieure. Tenir la porte en place pendant que l'installateur #2 aligne l'axe d'articulation supérieur.

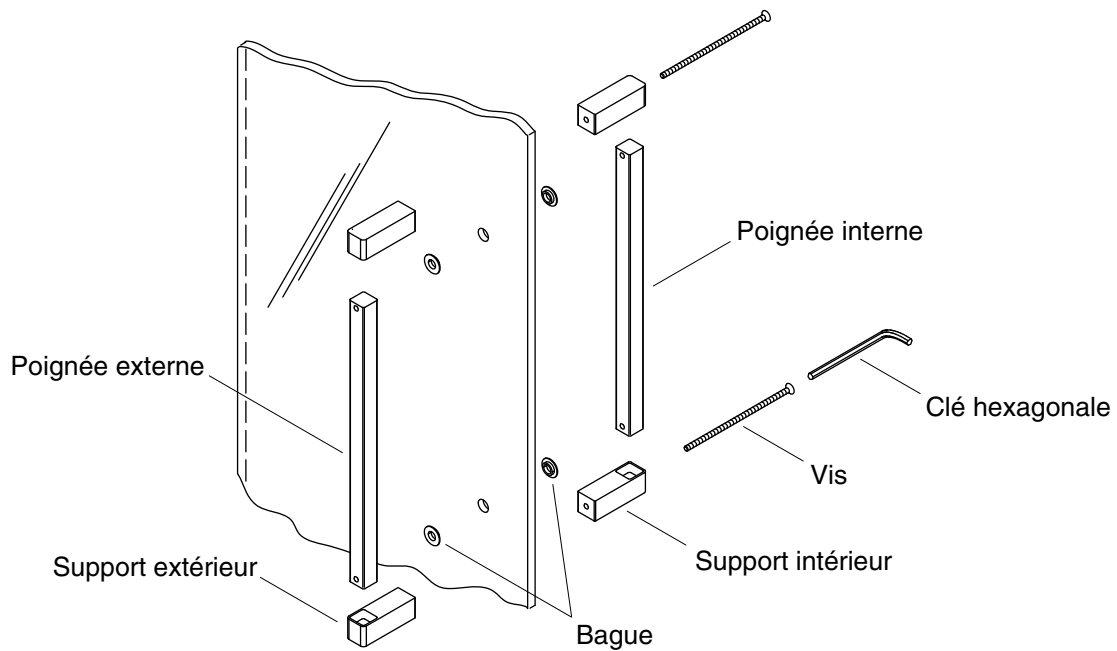
Installateur #2

- Lever le linteau et positionner la porte de manière à ce que l'axe d'articulation supérieur soit aligné avec la bague se trouvant dans le bloc à goupilles attaché sur le linteau.
- Enfoncer le linteau pour le mettre en place. Vérifier que la lèvre du cadre du panneau latéral soit engagée dans la petite rainure du linteau.

REMARQUE: La porte pourrait nécessiter d'être ajustée; ne pas effectuer les ajustements finaux avant d'avoir installé le linteau et la poignée.

Fixer le linteau en place

- À partir de l'intérieur de la douche, vérifier que la lèvre du cadre du panneau latéral soit engagée dans la petite rainure du linteau.
- À l'aide des trous prépercés dans les montants de mur comme guides, percer un trou de 1/8" dans le linteau.
- Fixer le linteau en place en utilisant deux vis à tête plate #8 x 3/4".

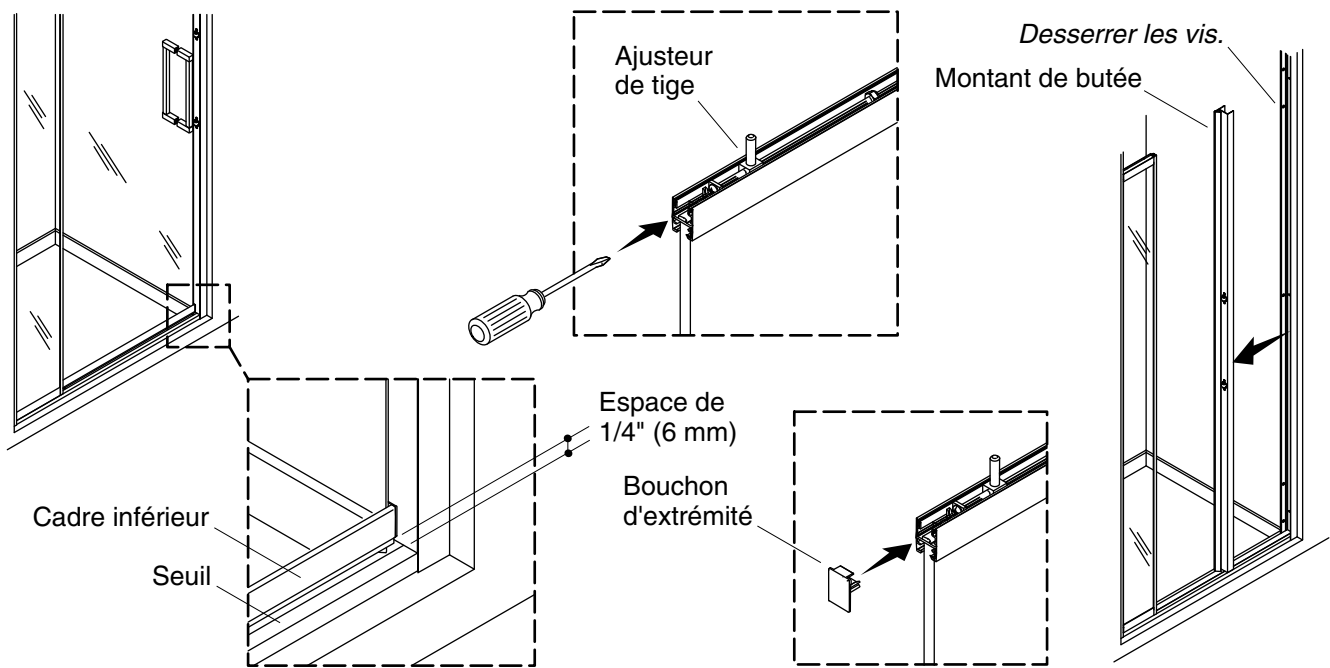


11. Installer les poignées

- Identifier la poignée intérieure et les supports – avec les trous non filetés. Assembler les supports intérieurs et la poignée avec 2 vis à tête plate #8 x 4-1/2" comme sur l'illustration.
- Placer une bague sur chaque vis comme sur l'illustration.
- Positionner la poignée intérieure sur le panneau de porte en insérant avec précaution les deux vis à travers les trous dans le verre.
- Placer une deuxième bague sur chaque vis et dans les trous du verre.
- Assembler les supports extérieurs et la poignée comme sur l'illustration et attacher sur la poignée intérieure en serrant les vis à la main.

AVIS: Ne pas trop serrer. Un serrage trop serré pourrait endommager le panneau de la porte.

- À l'aide de la clé hexagonale de 3/32" fournie, serrer les vis pour fixer la poignée en place.



12. Ajuster et sécuriser la porte

Pour ajuster le panneau de porte

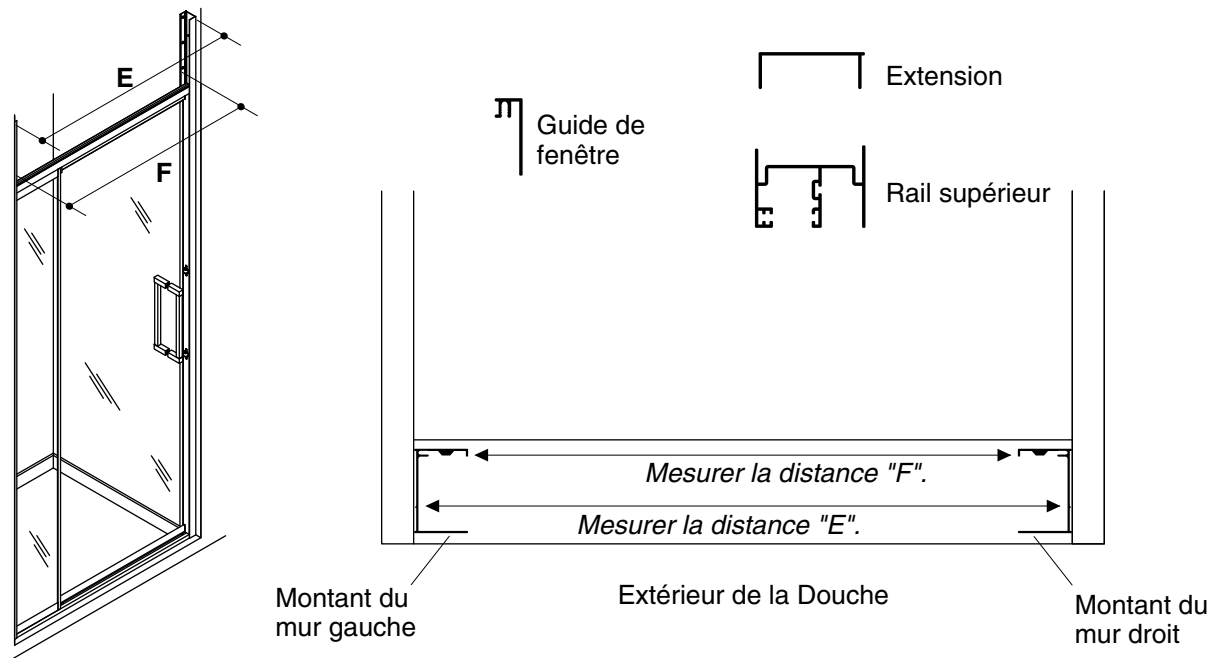
- Ouvrir la porte pour accéder aux régleurs de goupilles se trouvant dans les cadres du haut et du bas sur le côté pivot du panneau de verre.
- À l'aide d'un tournevis cruciforme, tourner le régleur de la goupille supérieure pour amener la goupille sur le repère se trouvant sur le cadre. Tourner la vis dans le sens horaire pour amener la goupille plus près du bord du verre.
- Ajuster la porte de manière à ce qu'il y ait un écartement d'au moins 1/4" (6 mm) entre le cadre inférieur et le haut du seuil.
- La porte doit être alignée de manière égale le long du montant avec gâche et doit s'ouvrir avec souplesse, sans que les capuchons d'extrémité ne frappent le montant avec gâche. Si les capuchons d'extrémité frappent le montant avec gâche, la porte ou le montant avec gâche doivent être réglés davantage.
- S'assurer que le panneau de porte comprime le joint d'étanchéité de la gâche le long de toute la longueur de la porte. Si un écartement est présent dans le haut ou le bas, le montant de mur doit être ajusté.
- Si le montant de mur doit être ajusté, retirer le montant avec gâche et desserrer les vis en maintenant le montant de mur en place (ne pas retirer). Déplacer le montant de mur autant que nécessaire et fixer les vis en place.
- Vérifier l'ouverture et la fermeture de la porte pour assurer que les bords du verre entrent en contact avec les loquets.
- Réinstaller les capuchons d'extrémité sur les cadres de panneau de porte supérieur et inférieur en les tapotant légèrement avec un maillet en caoutchouc pour les mettre en place.
- Si les capuchons d'extrémité sont desserrés lorsqu'ils sont réinstallés, les retirer, appliquer du mastic à la silicone et réinstaller.

Pour fixer le montant avec gâche en place

- À partir de l'intérieur de la douche, utiliser les trous prépercés dans le montant de mur comme guide pour percer des trous de 1/8" dans le montant avec gâche.

Ajuster et sécuriser la porte (cont.)

- Fixer le montant avec gâche en place en utilisant quatre vis à tête plate #8 x 3/4". Ne pas trop serrer.



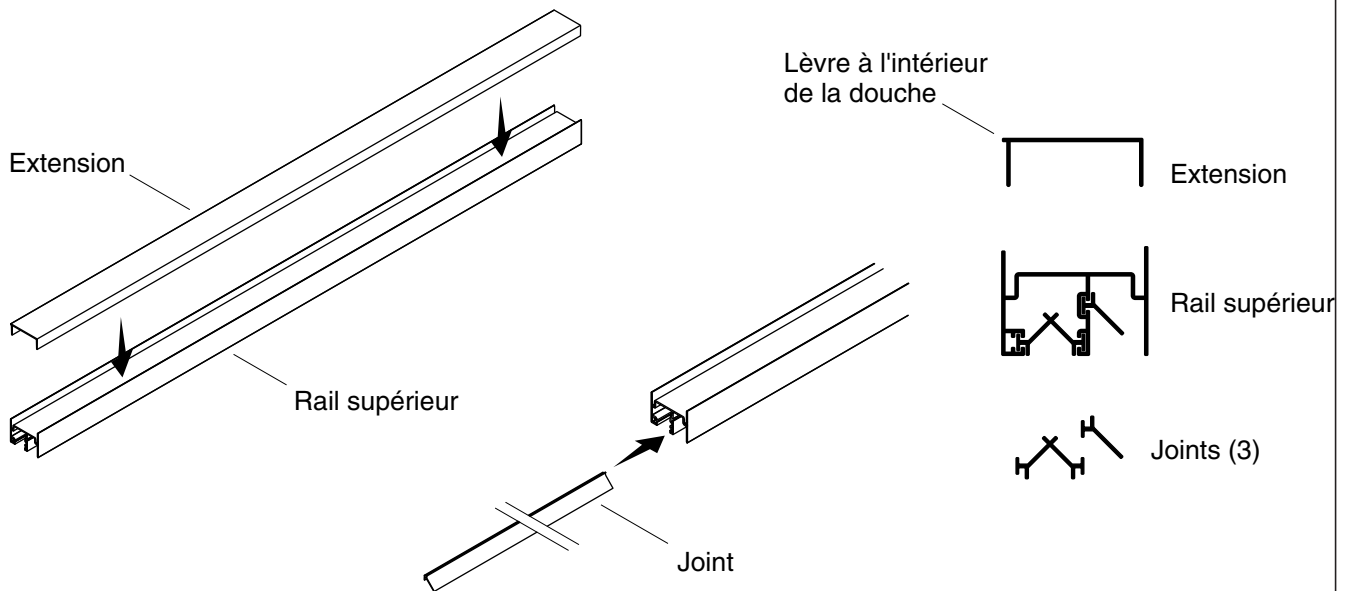
13. Couper le rail supérieur et le montant extensible

Rail supérieur et montant extensible

- Mesurer la distance "E" comme sur l'illustration, dans le haut des montants de mur.
- Soustraire 1/8" (3 mm) de la dimension "E."
- Transférer cette mesure sur le rail supérieur et le montant extensible.
- Couper le rail supérieur et le montant extensible le long de la ligne marquée.

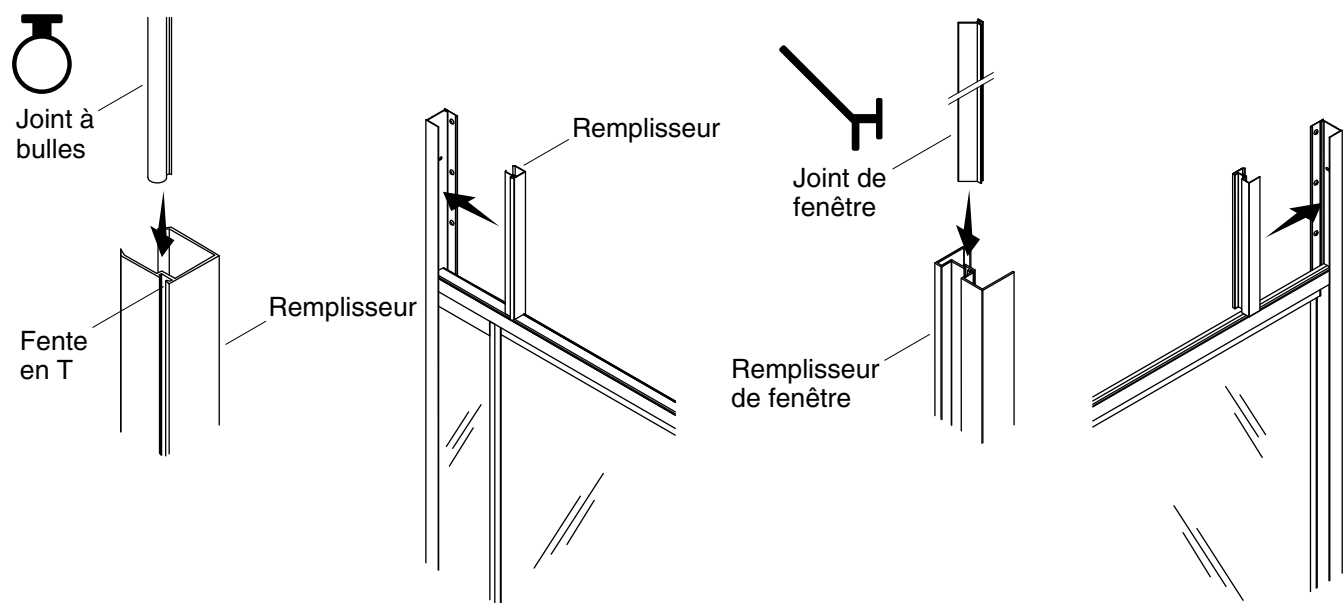
Guide de traverse

- Mesurer la distance "F", au-dessus du linteau, entre les montants de mur.
- Transférer cette mesure sur le guide de la traverse.
- Découper le guide de la traverse le long de l'intérieur de la ligne marquée.



14. Installer le rail supérieur et le montant extensible

- Couper les trois joints d'étanchéité de la traverse à la même longueur que celle du rail supérieur.
- Glisser les joints d'étanchéité de la traverse dans les fentes en T du rail supérieur, comme sur l'illustration.
- Insérer le montant extensible dans le rail supérieur avec la lèvre située sur le même côté que le canal à 2 joints du rail supérieur.
- Orienter le rail supérieur avec la lèvre et les deux joints d'étanchéité dirigés vers l'intérieur de la douche.
- Insérer le rail supérieur entre les montants de mur en inclinant l'ensemble et en glissant les extrémités dans les montants de mur.
- Pousser le rail supérieur vers le haut, vers le plafond, et mettre en place temporairement avec du ruban-cache.



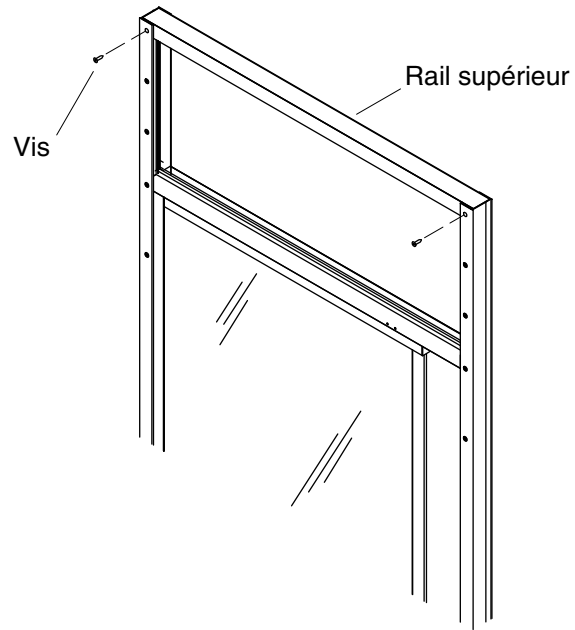
15. Installer les remplisseurs de traverse

Remplisseur de traverse latérale de panneau latéral

- Couper le bourrelet d'étanchéité à une longueur de 12" (30,5 cm).
- Glisser le bourrelet d'étanchéité dans la fente en T se trouvant sur le remplisseur.
- Placer le remplisseur dans le montant de mur au-dessus du panneau latéral avec la surface plate du remplisseur tournée vers l'extérieur, et le bourrelet d'étanchéité dirigé vers l'extérieur de la douche. Ne pas fixer en place à ce point.

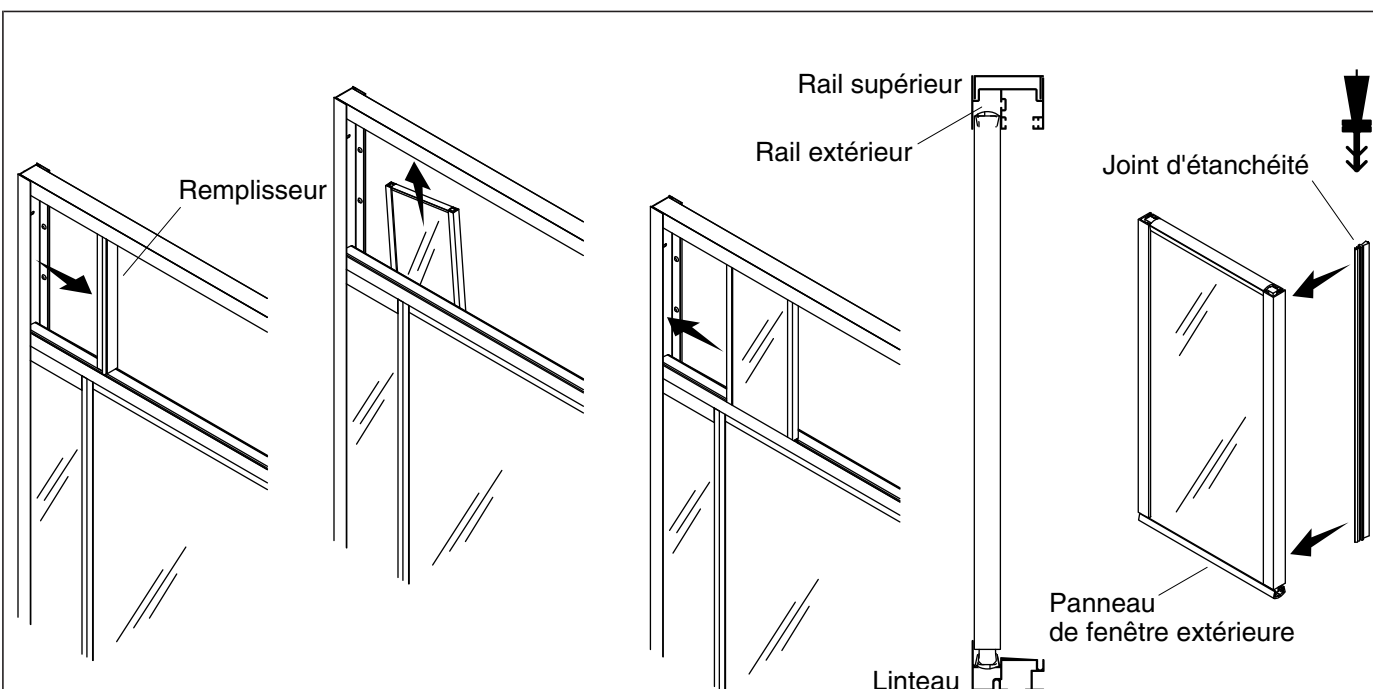
Remplisseur de traverse côté gâche

- Couper le joint d'étanchéité de la traverse à 12" (30,5 cm).
- Glisser le bourrelet d'étanchéité dans la fente en T se trouvant sur le remplisseur de la traverse.
- Installer le remplisseur dans le montant de mur au-dessus du montant avec gâche, avec le joint d'étanchéité de la traverse dirigé vers l'intérieur de la douche.
- En utilisant les trous prépercés dans le montant de mur comme guide, percer des trous de 1/8" dans le remplisseur de la traverse.
- Fixer le remplisseur de la traverse sur le montant de mur avec deux vis à tête plate #8 x 3/4".



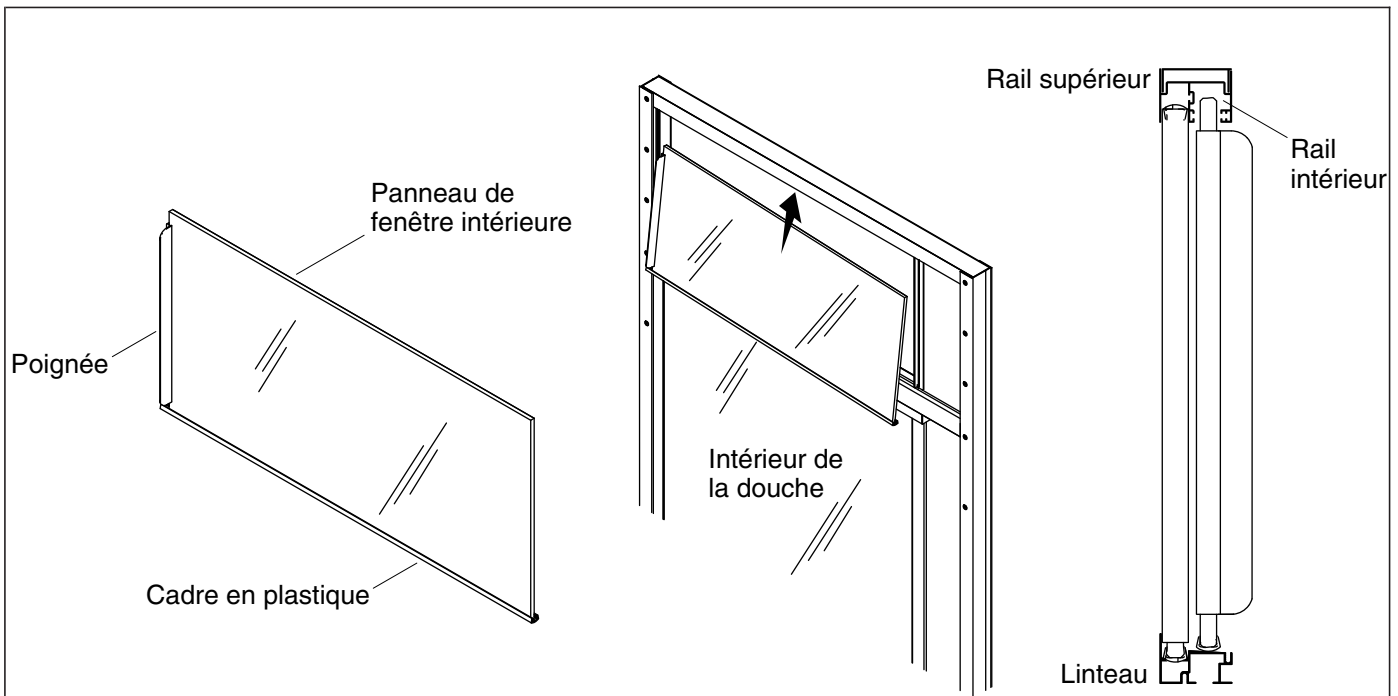
16. Fixer le rail supérieur en place

- Retirer le ruban du rail supérieur.
- Abaisser l'ensemble supérieur pour le reposer sur le dessus des deux remplisseurs.
- En utilisant les trous prépercés dans le montant de mur comme guide, percer des trous de 1/8" dans le rail supérieur.
- Fixer le rail supérieur avec deux vis à tête plate #8 x 3/4".



17. Installer le panneau extérieur de la traverse

- Retirer le remplisseur au-dessus du panneau latéral.
- Identifier le dessus du panneau extérieur de la traverse - les deux cadres latéraux en métal sont à ras du cadre en plastique.
- À partir de l'intérieur de la douche, lever et basculer le panneau extérieur de la traverse pour le mettre en place dans le rail extérieur du rail supérieur.
- Basculer le bas du panneau vers le linteau jusqu'à ce qu'il siège dans le rail sur le dessus du linteau.
- Glisser le panneau vers le montant de mur et aligner le cadre latéral sur le cadre se trouvant sur le panneau latéral.
- Réinstaller le remplisseur entre le montant de mur et le panneau avec le bourrelet d'étanchéité dirigé vers le panneau.
- À l'aide des trous prépercés dans le montant de mur, percer des trous de 1/8" dans le remplisseur.
- À l'aide d'une clé hexagonale de 3/32", fixer le remplisseur sur le montant de mur avec deux vis à tête plate #8 x 3/4".
- Enfoncez le joint d'étanchéité de pile dans le canal sur l'intérieur du cadre du panneau de la traverse.



18. Installer le panneau intérieur de la traverse

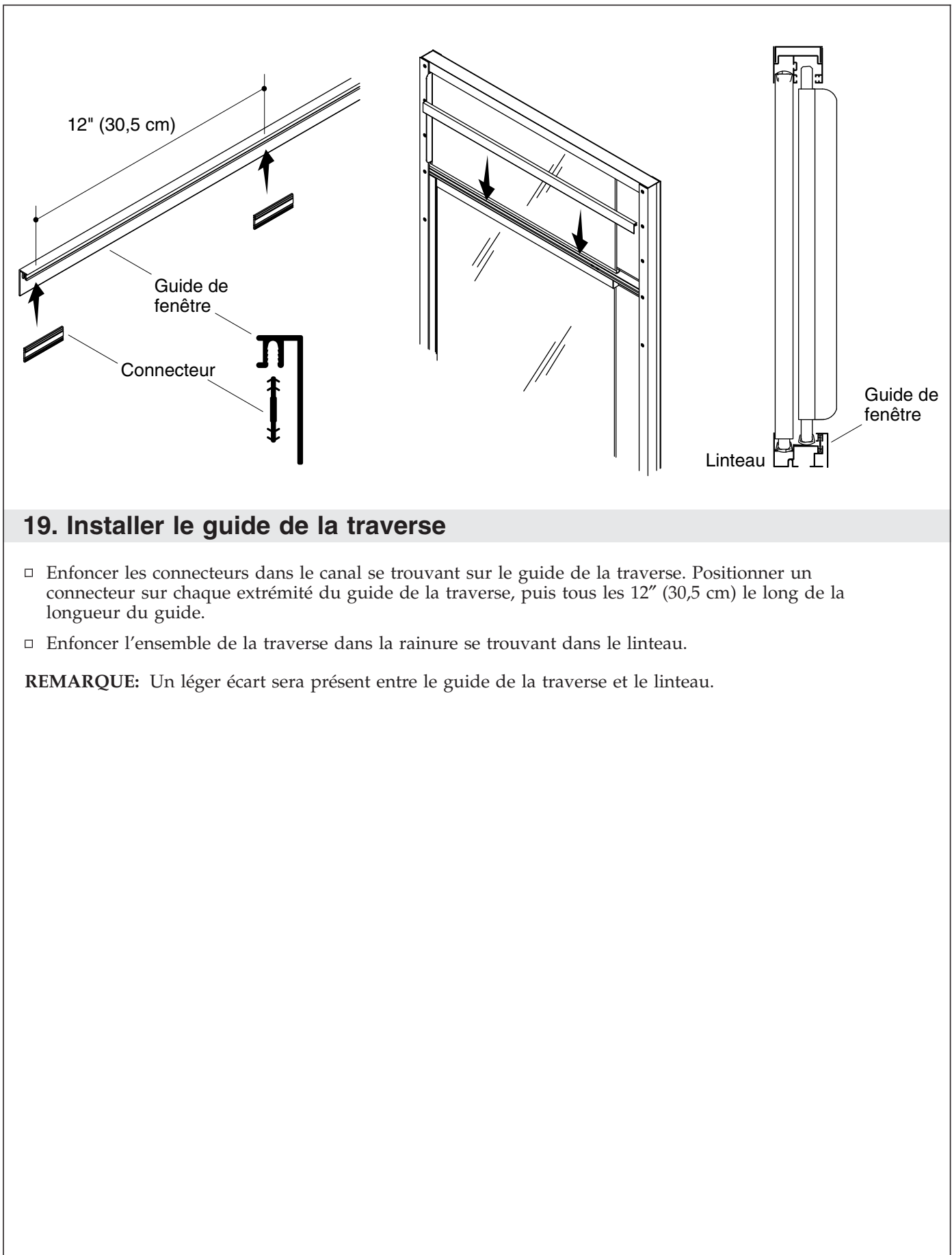
IMPORTANT! Le cadre de traverse en plastique est fourni préinstallé sur le panneau intérieur de la traverse. Lorsque le panneau est installé, la poignée est orientée sur le côté gâche de la porte, vers l'intérieur de la douche, et le cadre en plastique doit se trouver dans le bas. Le cadre en plastique peut être retiré et réinstallé sur le côté opposé du panneau si nécessaire.

- À partir de l'intérieur de la douche, lever le panneau intérieur de la traverse pour le mettre en place dans le rail intérieur du rail supérieur.
- Basculer le bas du panneau vers le linteau jusqu'à ce qu'il siège sur le dessus du linteau.



ATTENTION: Risque de blessures ou d'endommagement du produit. Le panneau ne sera pas posé en sécurité à ce stade. Tenir le panneau avec deux mains, jusqu'à ce qu'il soit temporairement en place à l'intérieur du remplisseur de la traverse.

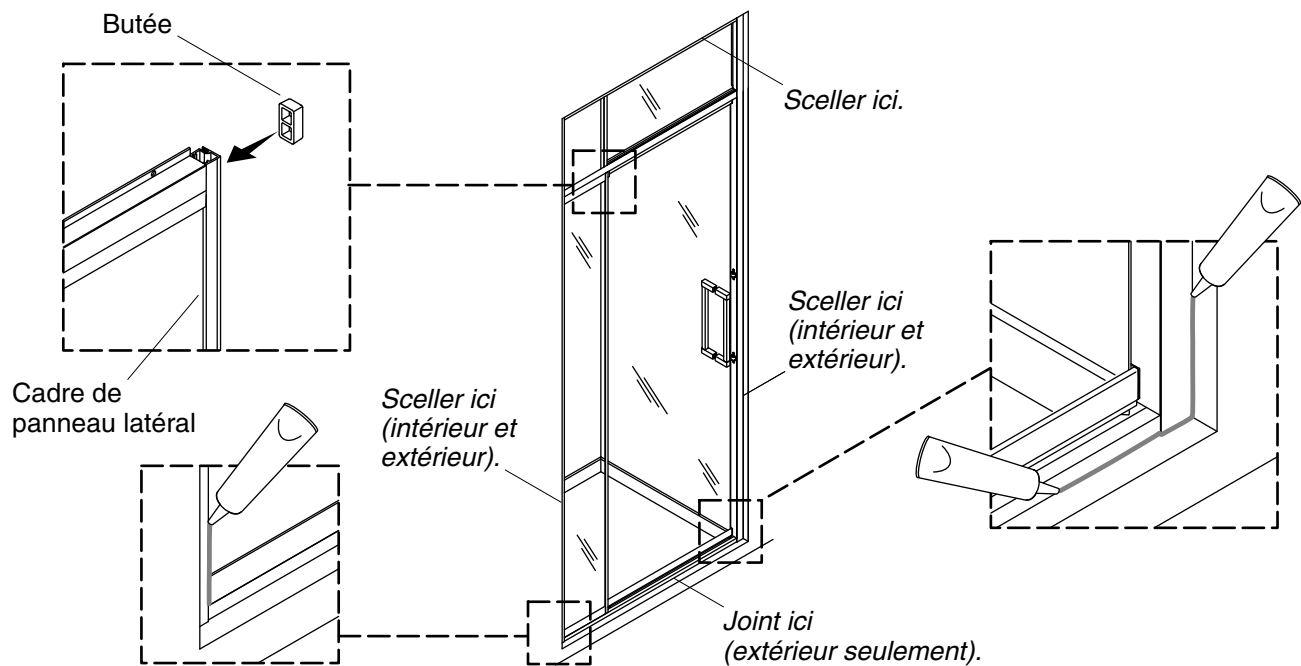
- Glisser le panneau dans le remplisseur de la traverse sur le côté gâche de la porte.



19. Installer le guide de la traverse

- Enfoncer les connecteurs dans le canal se trouvant sur le guide de la traverse. Positionner un connecteur sur chaque extrémité du guide de la traverse, puis tous les 12" (30,5 cm) le long de la longueur du guide.
- Enfoncer l'ensemble de la traverse dans la rainure se trouvant dans le linteau.

REMARQUE: Un léger écart sera présent entre le guide de la traverse et le linteau.



20. Terminer l'installation

Attacher les butées et le logo Kohler

- Installer une butée sur le bord du cadre du panneau latéral comme sur l'illustration.
- Installer deux butées sur le remplisseur dans la traverse.
- Si applicable, installer le logo KOHLER sur le centre du seuil (non illustré).

Appliquer du mastic

IMPORTANT! Suivre avec diligence les instructions du fabricant du mastic à la silicone en ce qui concerne l'application et le temps de prise.

REMARQUE: Bien nettoyer et bien sécher toutes les surfaces sur lesquelles le mastic à la silicone sera appliqué.

- Utiliser du ruban-cache pour protéger les surfaces avoisinant celles sur lesquelles le mastic est appliqué.
- Appliquer un boudin de mastic à la silicone sur l'extérieur et l'intérieur des joints verticaux, à l'emplacement auquel les montants de mur entrent en contact avec le mur.
- Appliquer un boudin de mastic sur l'extérieur du joint vertical, entre le montant de mur et le panneau latéral, comme sur l'illustration.
- Appliquer un boudin de mastic à la silicone sur le côté sec du seuil, à l'emplacement auquel il entre en contact avec le rebord de la douche. Ne pas appliquer de mastic sur le côté mouillé du seuil.
- Appliquer un boudin de mastic au point où le montant extensible du linteau entre en contact avec le plafond pour créer une barrière de vapeur.

Dépannage

Ce guide de dépannage est seulement destiné à fournir une aide d'ordre général. Pour des problèmes ou questions concernant l'entretien et l'installation, composer le 1-800-4-KOHLER.

Tableau de dépannage

Symptômes	Action recommandée
Présence de fuites d'eau	
1. Des fuites d'eau sont présentes sous le panneau latéral.	A. À partir de l'extérieur de la douche, appliquer de la silicone sur le joint, à l'emplacement où le panneau latéral entre en contact avec le seuil.
2. Présence de fuites d'eau à l'intersection du panneau latéral et du montant de mur.	A. À partir de l'extérieur de la douche, appliquer de la silicone sur le joint, à l'emplacement où le cadre du panneau latéral entre en contact avec le montant de mur.
3. Fuites d'eau sous la porte.	A. Vérifier que les joints sont en place. Se référer à la section "Assembler la porte".
	B. Ajuster la porte pour réduire l'écart entre le seuil et le bas de la porte. Se référer à la section "Ajuster et sécuriser la porte".
4. Fuites d'eau entre la porte et le panneau latéral.	A. Contacter le Service après-vente pour commander un joint d'étanchéité d'entretien. Enfoncer le joint d'étanchéité sur le bord du panneau de porte.
5. Des fuites d'eau sont présentes au niveau du montant avec gâche.	A. Ajuster la porte pour réduire l'écart entre la porte et le montant avec gâche. Se référer à la section "Ajuster et sécuriser la porte".
	B. Ajuster les montants de mur de manière à ce que la porte entre en contact avec le joint d'étanchéité de la gâche. Se référer à la section "Ajuster et sécuriser la porte".
Fuites de vapeur	
REMARQUE: Ce produit est destiné à permettre à une certaine quantité de vapeur de s'échapper afin de permettre un déplacement d'air adéquat.	
1. Fuites de vapeur autour des montants de mur/au-dessus du rail supérieur.	A. Permettre à la zone avec fuite de sécher complètement. Appliquer de la silicone au niveau de tous les points de fuite.
2. Fuites de vapeur autour du montant avec gâche.	A. Ajuster la porte pour réduire l'écart entre la porte et le montant avec gâche. Se référer à la section "Ajuster et sécuriser la porte".
	B. Ajuster les montants de mur de manière à ce que la porte entre en contact avec le joint d'étanchéité de la gâche. Se référer à la section "Ajuster et sécuriser la porte".
Fonctionnement de la porte	
1. La porte frappe le seuil.	A. Ajuster la porte pour augmenter l'écart entre la porte et le montant avec gâche à 1/4" (6 mm). Se référer à la section "Ajuster et sécuriser la porte".
2. Il est difficile d'ouvrir/de fermer la porte.	A. Ajuster la porte pour augmenter l'écart entre la porte et le montant avec gâche de manière à ce que les loquets ne soient pas engagés de manière aussi serrée. Se référer à la section "Ajuster et sécuriser la porte".
	B. Ajuster les montants de mur de manière à ce que la porte entre en contact avec le joint d'étanchéité de la gâche. Se référer à la section "Ajuster et sécuriser la porte".
	C. Retirer les joints inférieurs de la porte et couper un segment. Réinstaller les joints d'étanchéité.
3. La porte s'ouvre trop facilement ou elle se déverrouille par elle-même.	A. Ajuster la porte pour réduire l'écart entre la porte et le montant avec gâche de manière à ce que les loquets soient engagés de manière plus serrée. Se référer à la section "Ajuster et sécuriser la porte".
Fonctionnement de la traverse	

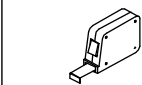
Dépannage (cont.)

- | | |
|---|---|
| 1. Le panneau de traverse intérieur frotte et fait du bruit lorsqu'il glisse. | A. S'assurer que les deux joints d'étanchéité sont installés dans le rail supérieur. Se reporter à la section "Installer le rail supérieur et le montant extensible". |
| | B. S'assurer que le cadre en plastique est installé sur le bas du panneau mobile. Se reporter à la section "Installer le panneau intérieur de la traverse". |
| | C. S'assurer que le rail supérieur est installé avec le côté correct tourné vers l'extérieur de la douche. Se reporter à la section "Installer le rail supérieur et le montant extensible". |
| 2. Le panneau intérieur de la traverse ne se ferme pas. | A. S'assurer que les remplisseurs de traverse sont installés correctement. Se reporter à la section "Installer les remplisseurs de traverse". |

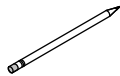
Guía de instalación

Puerta de ducha con marco con claraboya

Herramientas y materiales



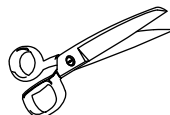
Cinta para medir



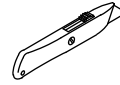
Lápiz



Lentes de seguridad



Tijeras



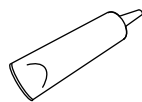
Cuchillo



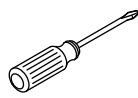
Taladro y variedad de brocas



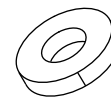
Nivel



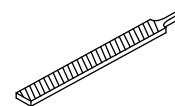
Sellador de silicona



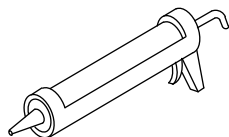
Destornillador Phillips



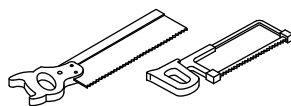
Cinta de enmascarar



Lima



Pistola para calafatear



Serrucho de costilla o sierra para metales con hoja de 32 dientes por pulgada



Llave hexagonal de 3/32" y 5/64" (provista)

Plus:

- Lona
- Mazo de goma
- Cuñas de madera
- Brocas de taladro 7/64", 1/8", 5/16", 3/8"

Antes de comenzar



ADVERTENCIA: Riesgo de lesiones graves. Daños previos a la instalación podrían ocasionar que el vidrio se quiebre en pedazos. Antes de hacer la instalación revise el vidrio y todas las piezas, para ver si presentan daños.



ADVERTENCIA: Riesgo de lesiones graves. Si la instalación se hace de manera incorrecta, el vidrio podría quebrarse en pedazos. Siga todas las instrucciones de instalación.

AVISO: No toque los filos del vidrio templado con herramientas ni con ningún otro objeto duro. No ponga el vidrio templado sin marco directamente en el piso o en ninguna otra superficie dura.



ADVERTENCIA: Riesgo de lesiones graves. No corte vidrio templado. El vidrio templado se quiebra en pedazos si se corta.



ADVERTENCIA: Riesgo de lesiones graves. La puerta y los paneles laterales de la ducha pueden quebrarse en pedazos. Revise con regularidad el vidrio y todas las piezas para ver si presentan daños, si algo falta o si hay piezas sueltas.



ADVERTENCIA: Riesgo de lesiones graves. Siempre utilice anteojos de seguridad al cortar o taladrar.

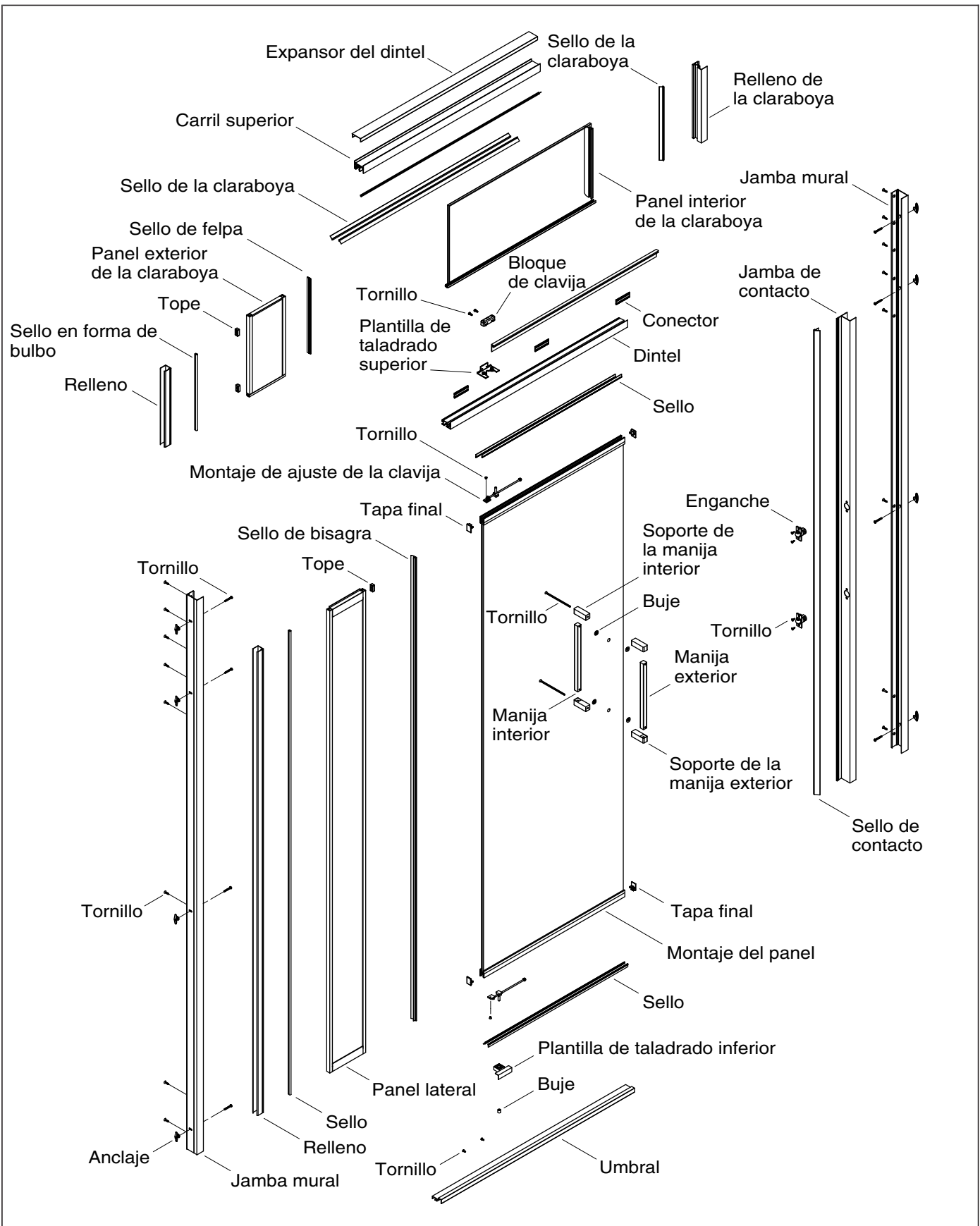
¡IMPORTANTE! Deje este manual para el usuario final. Lea estas instrucciones antes de utilizar o instalar este producto.

NOTA: Registre el número de modelo en la Guía del usuario. El número de modelo adecuado le permitirá a los representantes de servicio a los clientes ayudarle rápidamente si es necesario.

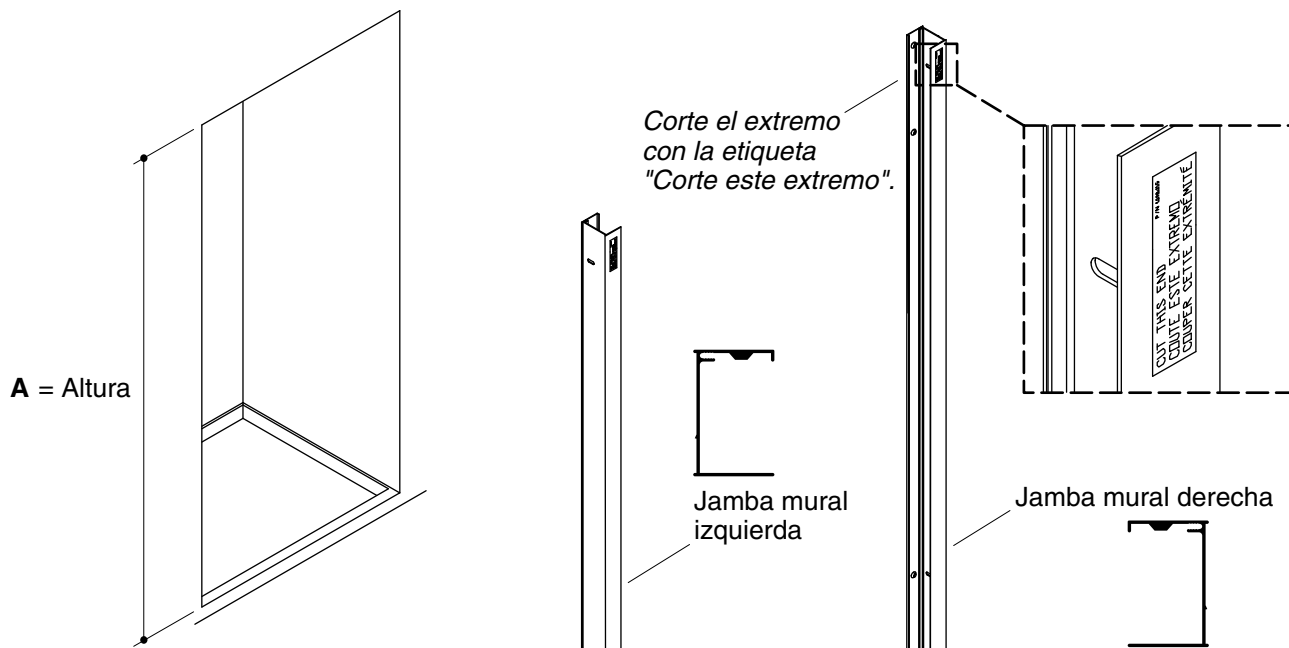
Antes de comenzar (cont.)

¡IMPORTANTE! Esta puerta está diseñada para paredes que estén fuera de plomo menos de 3/8" (1 cm). Verifique que el área donde se fijará la puerta esté a plomo dentro de 3/8" (1 cm) o menos. Es posible que la puerta no funcione correctamente si la pared está fuera de plomo más de 3/8" (1 cm).

- Su nueva puerta Kohler se puede instalar para que abra hacia la derecha o hacia la izquierda. Para obtener mejores resultados, instale la puerta con el lado pivotante alejado de la cabeza de ducha. Estas instrucciones muestran la puerta instalada con bisagra izquierda. Las puertas con bisagra en la derecha estarían al revés.
- Antes de iniciar la instalación, separe e identifique todas las piezas. Revise que no tengan daños.
- El receptor de ducha debe ser instalado y preparado en este momento, además de los materiales de la pared acabada.
- Coloque una lona en la parte inferior de su ducha para cubrir el desagüe y facilitar la limpieza.
- Siga con cuidado las instrucciones que corresponden a la aplicación de sellador en la puerta. Si sella áreas distintas a las que se indican se podrían causar fugas.
- Dos personas deben hacer esta instalación.
- Kohler Co. se reserva el derecho de modificar el diseño de productos sin previo aviso, tal como se especifica en la lista de precios.



Identificación de piezas



1. Determine la configuración de la puerta

¡**IMPORTANTE!** De acuerdo a la configuración de pivote que haya elegido (izquierda o derecha) sus instrucciones de montaje variarán. Con propósitos de estas instrucciones, se muestra una instalación de "bisagra izquierda".

- Determine si la puerta pivotará en el lado derecho o en el lado izquierdo.

NOTA: La puerta tendrá las bisagras en el mismo lado que el panel lateral.

- Asegúrese de que la puerta pueda abrir libremente en la configuración que haya elegido.
- La altura de la abertura "A" de su instalación debe ser entre 89" (226,1 cm) y 89-1/2" (227,3 cm).

2. Mida y corte las jambas murales

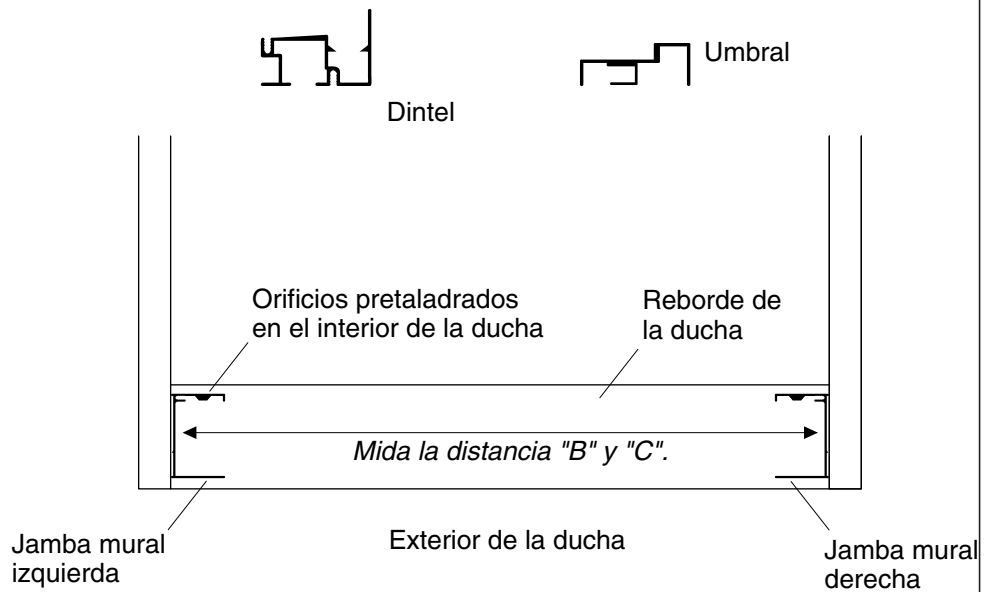
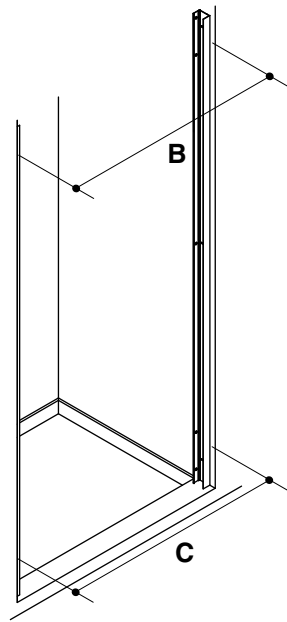


PRECAUCIÓN: Riesgo de lesiones personales. Siempre use anteojos de seguridad al cortar.

¡**IMPORTANTE!** Las jambas murales debe quedar asentada al ras contra las paredes laterales y el reborde de la ducha. Si la ducha tiene esquinas curvas donde las paredes laterales se unen con el reborde, puede que sea necesario dar forma a los extremos inferiores de las jambas murales con una lima.

NOTA: Hay una etiqueta que marca la parte superior de cada jamba mural. No retire las etiquetas mientras no haya instalado las jambas murales.

- Mida con cuidado la altura "A" de la abertura acabada. Consulte la hoja del diagrama de instalación para confirmar que la puerta quepa en la abertura acabada.
- Corte las jambas murales a esta medida. Asegúrese de cortar el extremo etiquetado "Corte este extremo". Para obtener mejores resultados, utilice una hoja de sierra para metales de 32 dientes por pulgada y una caja de ingletes.

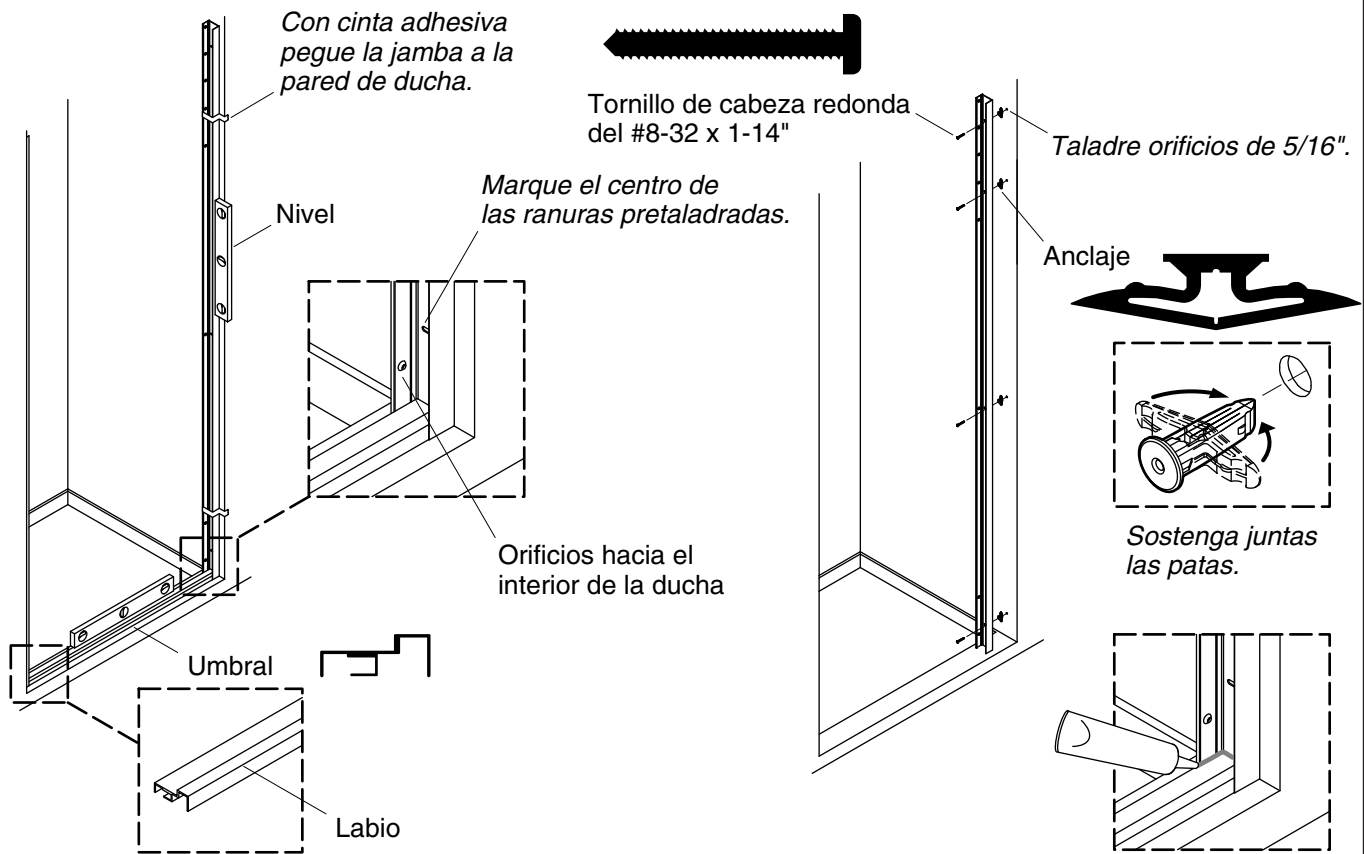


3. Mida y corte el dintel y el umbral



PRECAUCIÓN: Riesgo de lesiones personales. Siempre use anteojos de seguridad al cortar.

- Fije provisionalmente las jambas murales a las paredes laterales de la abertura acabada con cinta de enmascarar. Oriente las jambas murales de tal forma que los orificios para tornillos queden hacia el interior de la ducha y que la etiqueta que dice "Top" (arriba) quede hacia arriba.
- Mida con cuidado la distancia (B) entre la parte superior de las jambas murales, 76" (193 cm) sobre el reborde de la ducha. Marque esta distancia en el dintel.
- Mida con cuidado la distancia (C) entre la parte inferior de las jambas murales. Marque esta distancia en el umbral.
- Corte a lo largo del interior de la línea marcada para cortar el dintel y el el umbral.
- Use una lima para retirar las rebabas donde se hayan hecho cortes.



4. Instale las jambas murales y el umbral

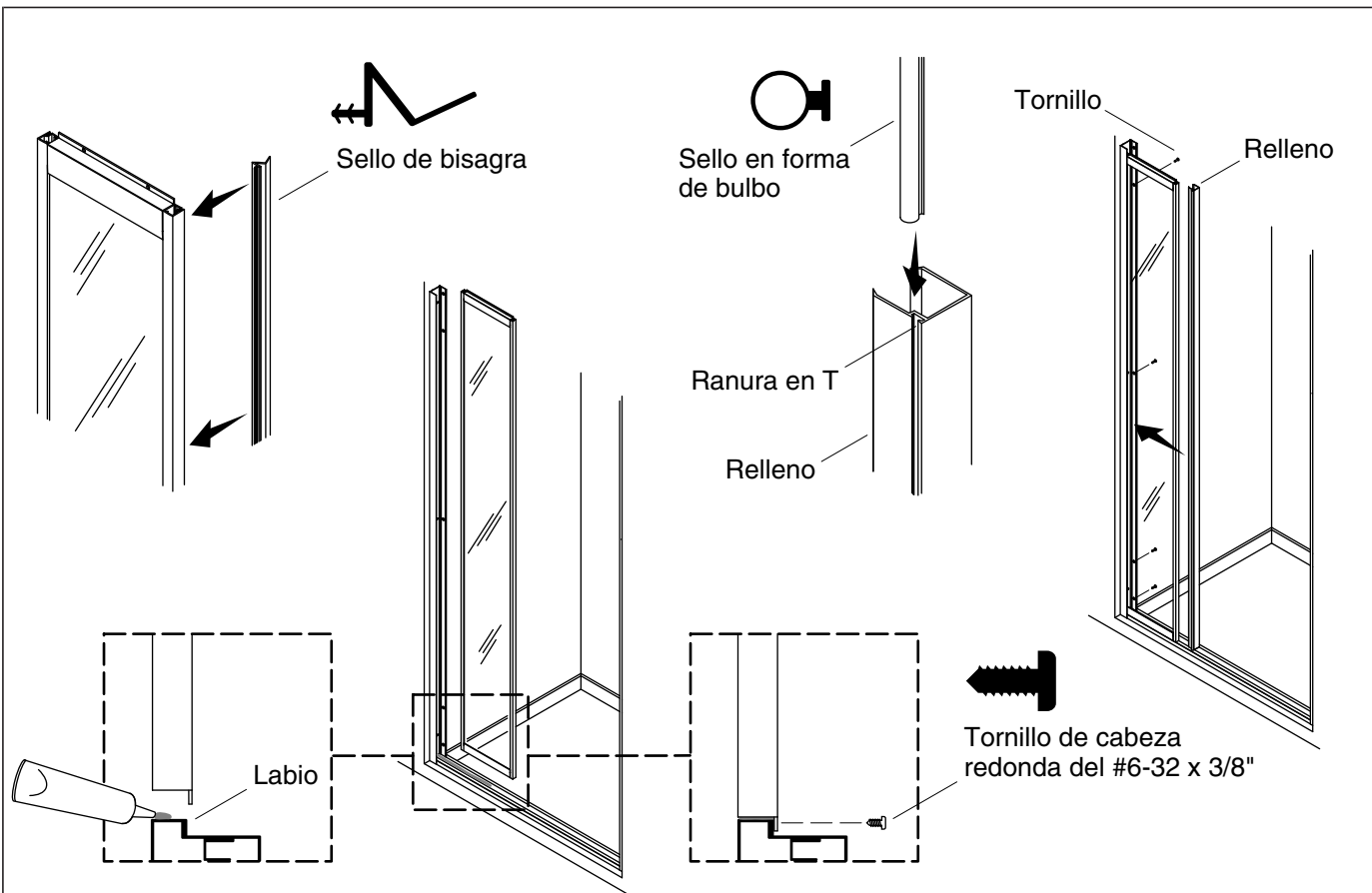
- Introduzca los extremos del umbral entre las jambas murales y el labio hacia el exterior de la ducha.
- Verifique que el umbral quede asentado plano en el reborde de la ducha. Ajuste las jambas murales y el umbral lo que sea necesario para asegurar que el umbral corra paralelo a el reborde de la ducha.
- Coloque ambas jambas murales a plomada por medio de un nivel.
- Con un lápiz marque la posición de la parte inferior de ambas jambas murales en el reborde de la ducha y en la pared cerca de la parte superior de las jambas murales.
- Marque los centros de las 4 ranuras de las jambas murales en la pared de la ducha.
- Retire las jambas murales y el umbral.
- Taladre orificios de 5/16" en las ubicaciones marcadas.
- Limpie muy bien el reborde de la ducha.
- Introduzca los anclajes de pared en los orificios taladrados.

¡IMPORTANTE! Si el reborde del receptor de ducha no está plano, debe poner cuñas en el umbral para que quede instalado plano y nivelado.

- Use las marcas como referencia, cambie de posición el umbral y las jambas murales en la abertura de la ducha.
- Fije las jambas murales a la pared de la ducha con tornillos de cabeza redonda #8-18 x 1-1/4".
- Verifique que las jambas murales siga estando a plomo. Haga los ajustes necesarios.
- Aplique sellador de silicona en la intersección donde cada jamba mural se une al umbral.

Instale las jambas murales y el umbral (cont.)

- Retire las etiquetas de las jambas murales.



5. Instale el panel lateral

Instale el panel lateral

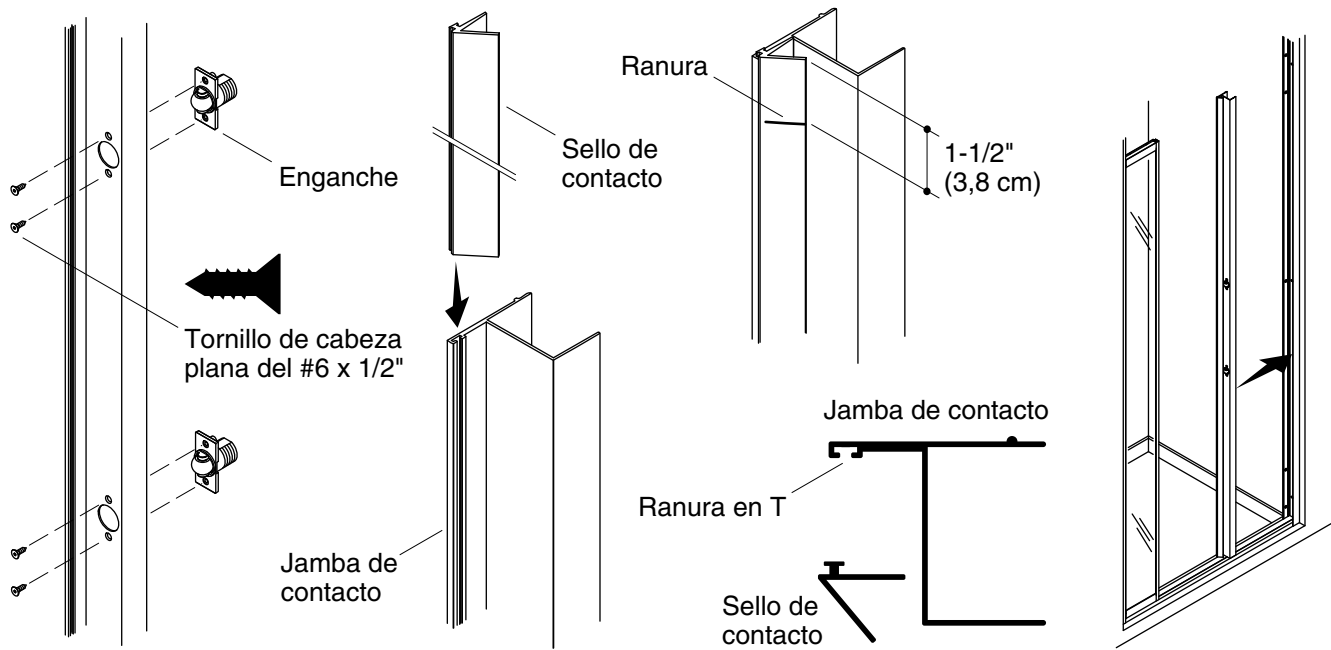
- Mida el ancho del panel lateral.
- Desde la jamba mural donde se instalará el panel lateral, marque el ancho medido en el umbral.
- Aplique un hilo continuo de sellador de silicona e lo largo de la parte superior del umbral desde la jamba mural hasta el lugar marcado.
- Oriente el panel lateral hacia la jamba mural y el labio inferior hacia el interior de la ducha.
- Coloque el panel lateral en el umbral y deslícelo hasta que quede al ras contra la jamba mural.
- Verifique que el panel lateral quede asentado al ras en el umbral.
- Con una broca de 7/64" taladre un orificio en el umbral a través de cada uno de los 2 orificios pretaladrados en el labio del panel lateral.
- Fije el panel lateral al umbral con 2 tornillos de cabeza redonda #6-32 x 13/8".

Instale la pieza de relleno del panel lateral

- Deslice el sello en forma de bulbo hacia dentro de la ranura en T en la pieza de relleno.
- Con tijeras o con una navaja corte el exceso de sello en forma de bulbo de tal forma que el sello quede al ras con la parte superior de la pieza de relleno.
- Desde el interior de la ducha, introduzca la pieza de relleno entre el panel lateral con la jamba mural con el sello en forma de bulbo y la superficie plana de la pieza de relleno hacia el panel lateral.
- Con los orificios taladrados con anticipación en la jamba mural, taladre orificios de 1/8" en la pieza de relleno.

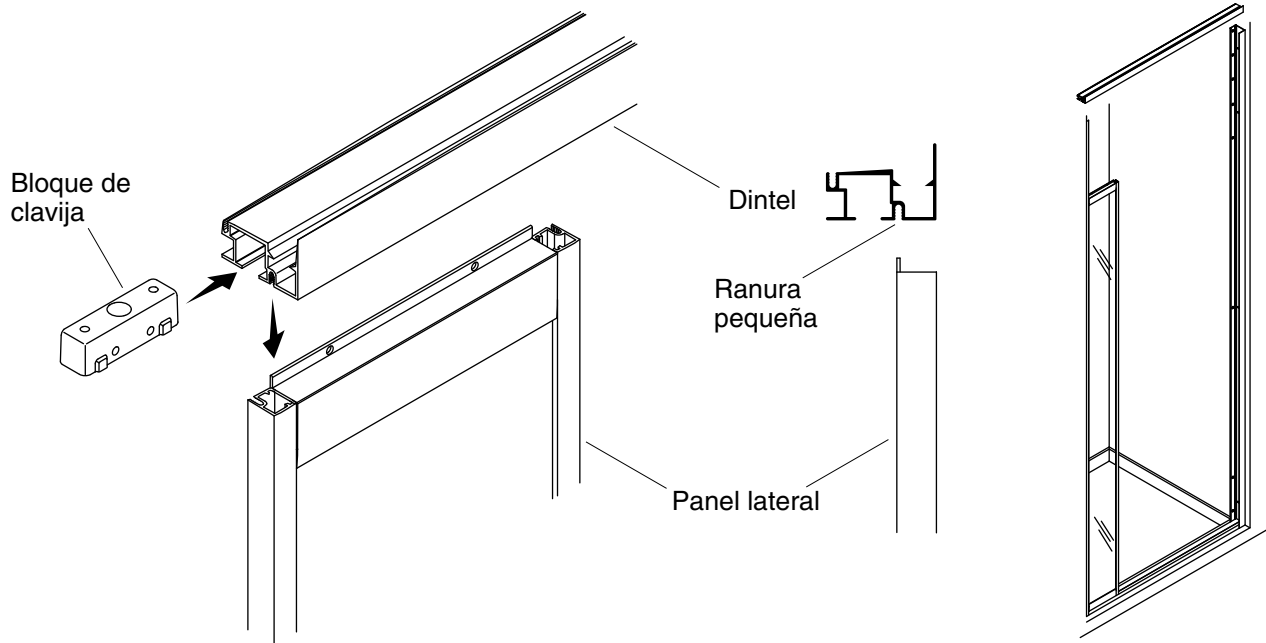
Instale el panel lateral (cont.)

- Con una llave hexagonal de 3/32" fije la pieza de relleno a la jamba mural con cuatro tornillos de cabeza plana #8 x 3/4".
- Oprima el sello de bisagra en el canal en el interior del marco del panel lateral.
- Recorte la saliente del sello de bisagra 1-1/4" (3,2 cm) a cada extremo. Esto permitirá que la puerta cierre por completo.



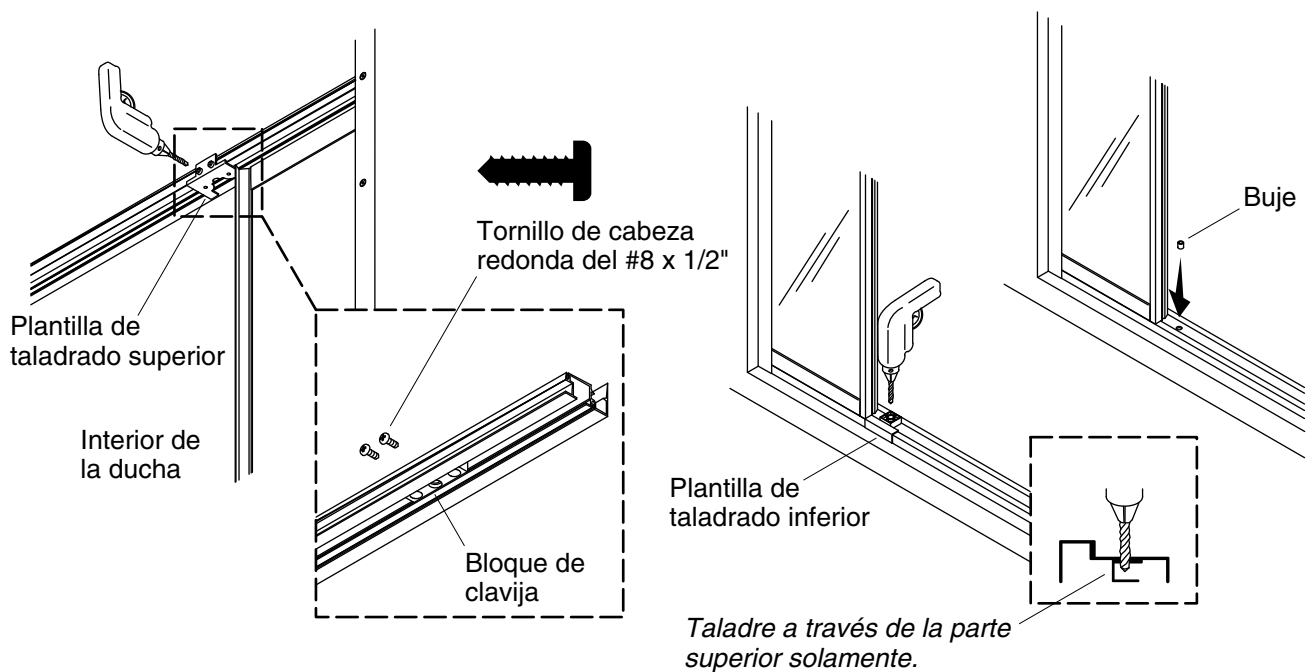
6. Instale la jamba de contacto

- Coloque el pestillo en la jamba de contacto.
- Con la llave hexagonal de 5/64" provista fije el pestillo en su lugar con 2 tornillos de cabeza plana #6 x 1/2".
- Repita este procedimiento con el segundo cierre.
- Con cuidado deslice el sello en la ranura en T en la jamba de contacto. No recorte el sello.
- Haga un corte horizontal en la saliente del sello a 1-1/2" (3,8 cm) de cada extremo.
- Deslice la jamba de contacto en la jamba mural, como se muestra. Fíjela temporalmente en su lugar con cinta de enmascarar.



7. Ubique el dintel

- Deslice el bloque de clavijas en el dintel.
- Coloque el dintel entre ambas jambas murales con el labio orientado hacia arriba y hacia el exterior de la ducha.
- Coloque el dintel en su lugar en la parte superior del panel lateral y de la jamba de contacto. Verifique que el labio del marco del panel lateral esté encajado en la ranura pequeña del dintel.



8. Instale el bloque de clavijas y el buje

Fije el bloque de clavijas

- Introduzca la plantilla de taladro superior en el bloque de clavijas.
- Deslice la plantilla con el bloque de clavijas al ras contra el panel lateral.

¡IMPORTANTE! Use los orificios laterales de la plantilla de taladro superior para esta instalación. No taladre a través de los orificios inferiores de la plantilla.

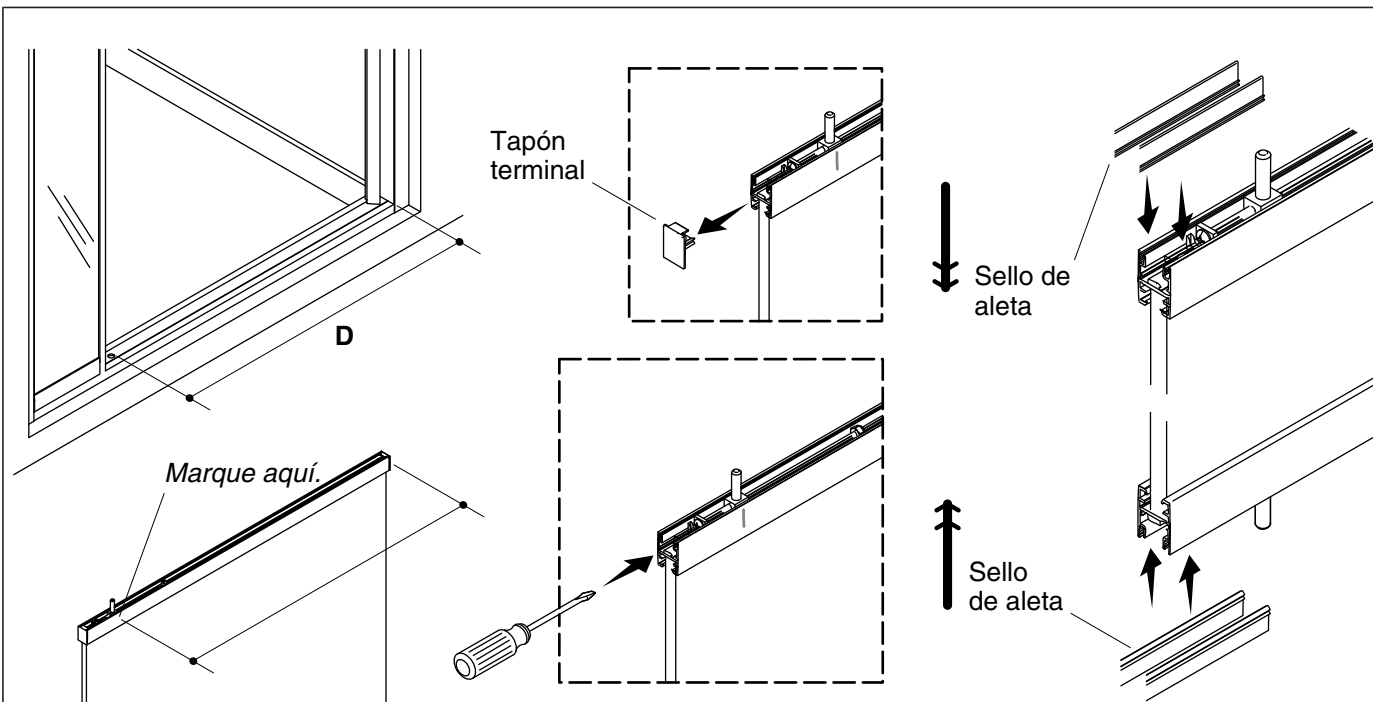
- Desde el interior de la ducha, sostenga la plantilla de taladro superior y el bloque de clavijas en su lugar. Con una de las guías de orificios laterales, taladre un orificio de 1/8" en el dintel.
- Retire la plantilla y fije el bloque de clavijas al dintel con un tornillo de cabeza redonda #8 x 1/2".
- Cambie de posición la plantilla de taladro superior dentro del bloque de clavijas y taladre un segundo orificio de 1/8" hacia el lado del dintel.
- Retire la plantilla y fije el bloque de clavijas al dintel con un tornillo de cabeza redonda #8 x 1/2".

Instale el buje

- Coloque la plantilla de taladro inferior sobre el umbral y al ras contra el panel lateral.

¡IMPORTANTE! Solo taladre en la superficie superior del u. No taladre a través del fondo del umbral.

- Sostenga la plantilla en su lugar y taladre un orificio de 3/8" en la parte superior del umbral.
- Use un mazo para dar golpecitos al buje de metal e introducirlo dentro del orificio taladrado/



9. Ensamble la puerta

NOTA: Deje un pequeño espacio en el lado de la manija de la puerta para que quede espacio para la jamba de contacto. La puerta no podrá cerrar correctamente si no se deja este espacio.

Instale las clavijas de ubicación en el panel de la puerta

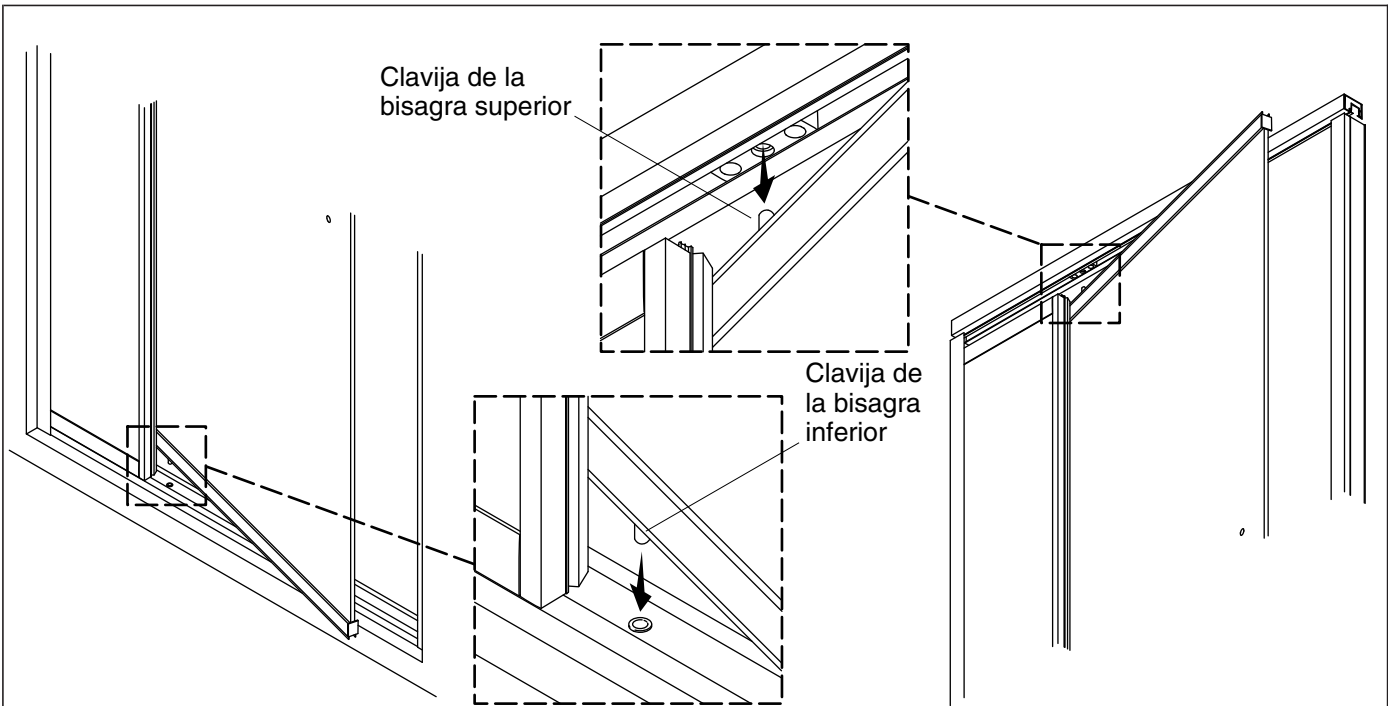
- Mida la distancia "D" entre la jamba de contacto y el borde del buje en el umbral.
- Mida del borde del vidrio que tiene orificios, y marque la distancia "D" en los marcos inferior y superior del panel de la puerta.

¡IMPORTANTE! Riesgo de daños al producto. No haga palanca para quitar las tapas de los extremos contra el borde del vidrio. Si toca el borde del panel de vidrio templado con herramientas o con objetos duros aumenta el riesgo de que se quiebre en pedazos. Se pueden usar una cuña de madera y un mazo de goma para dar golpecitos con cuidado y quitar las tapas.

- Retire las tapas de los extremos del lado de clavijas en los marcos inferior y superior del panel de la puerta para obtener acceso a los ajustadores de clavijas. **Coloque las tapas de los extremos a un lado.**
- Con un destornillador Phillips, haga girar el ajustador de clavijas superior para mover la clavija a la marca en el marco. Dé vueltas al tornillo hacia la derecha para acercar la clavija al borde del vidrio.
- Repita con el ajustador de clavijas inferior. No vuelva a instalar las tapas de los extremos en este momento.

Instale sellos en el panel de la puerta

- Empuje un sello de cinta aislante de aleta en cada uno de los dos canales en el marco superior y en el marco inferior del panel de la puerta.
- Asegúrese de que cada uno de estos sellos aislantes quede completamente insertado en los canales a todo lo largo del marco. Al estar completamente encajado, la parte que queda expuesta del sello medirá 1/4" (6 mm) o menos.
- De ser necesario, recorte el exceso de sello a la misma longitud que los marcos superior e inferior.



10. Instale la puerta

¡IMPORTANTE! Estos pasos requieren dos instaladores.

- Con la etiqueta que dice "Clean Coat" hacia el exterior de la ducha, levante el panel de la puerta y guíe la clavija inferior de la puerta dentro del buje en el umbral.
- Levante el dintel y coloque la clavija superior de la puerta dentro del buje en el bloque de clavijas.
- Oprima el dintel hacia abajo a su lugar, y asegúrese de que el marco del panel lateral esté completamente encajado en el dintel

Instalador #1

- Levante la puerta a una posición tal en la que la clavija de bisagra inferior quede arriba del buje en el umbral.
- **Con cuidado** baje la puerta de tal forma que la clavija de bisagra quede en el buje inferior. Sostenga la puerta en su lugar mientras el instalador #2 alinea la clavija de bisagra superior.

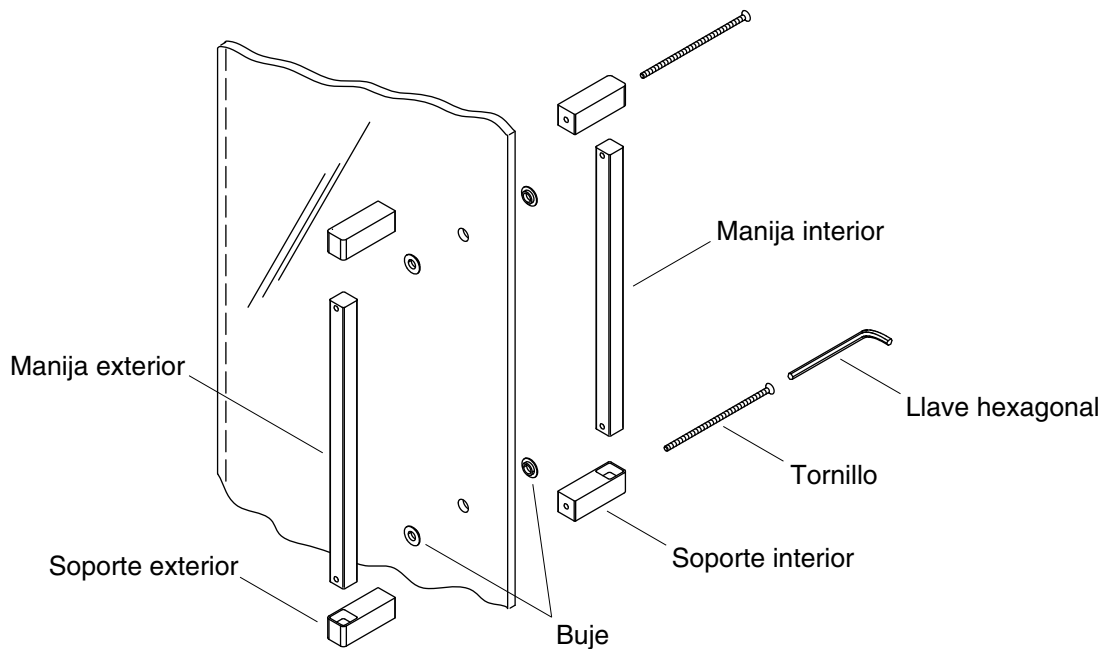
Instalador #2

- Suba el dintel y coloque la puerta de tal forma que la clavija de bisagra superior quede alineada al bloque de clavijas unido al dintel.
- Presione el dintel hacia abajo a su lugar. Verifique que el labio del marco del panel lateral esté encajado en la ranura pequeña del dintel.

NOTA: Es posible que la puerta requiera ajustes; no haga los ajustes finales mientras no haya instalado el dintel y la manija.

Fije el dintel

- Desde el interior de la ducha, verifique que el labio del marco del panel lateral esté encajado en la ranura pequeña del dintel.
- Con los orificios taladrados con anticipación en la jamba mural como guía, taladre un orificio de 1/8" en el dintel.
- Fije el dintel en su lugar con 2 tornillos de cabeza plana #8 x 3/4".

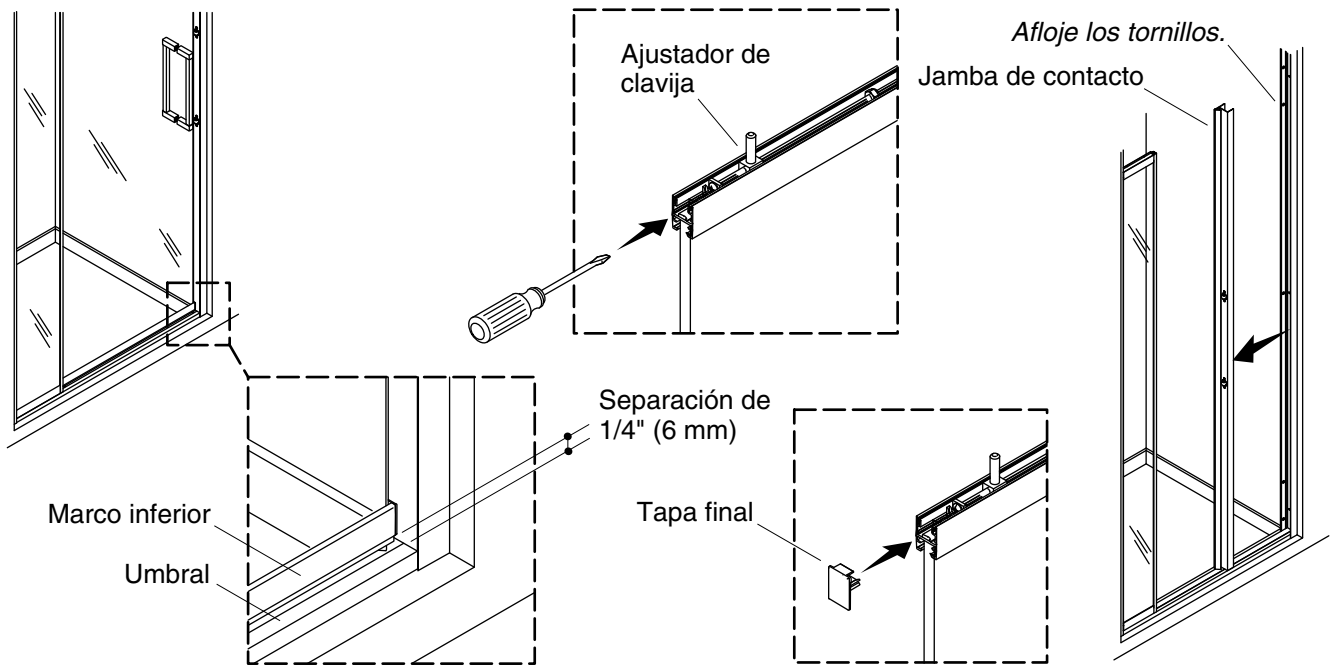


11. Instale las manijas

- Identifique la manija interior y los soportes interiores, con orificios sin rosca. Ensamble los soportes interiores y la manija interior con 2 tornillos de cabeza plana #8 x 4-1/2", como se muestra.
- Coloque un buje en cada tornillo, como se muestra.
- Coloque el montaje de manija interior en el panel de la puerta introduciendo con cuidado los 2 tornillos a través de los orificios en el vidrio.
- Coloque un segundo buje en cada tornillo y en los orificios en el vidrio.
- Ensamble los soportes exteriores y la manija exterior como se muestra, y únalos a la manija interior apretando a mano los tornillos.

AVISO: No apriete demasiado. Apretarlos demasiado puede causar daños al panel de la puerta.

- Con la llave hexagonal de 3/32" provista, apriete los tornillos para fijar la manija en su lugar.



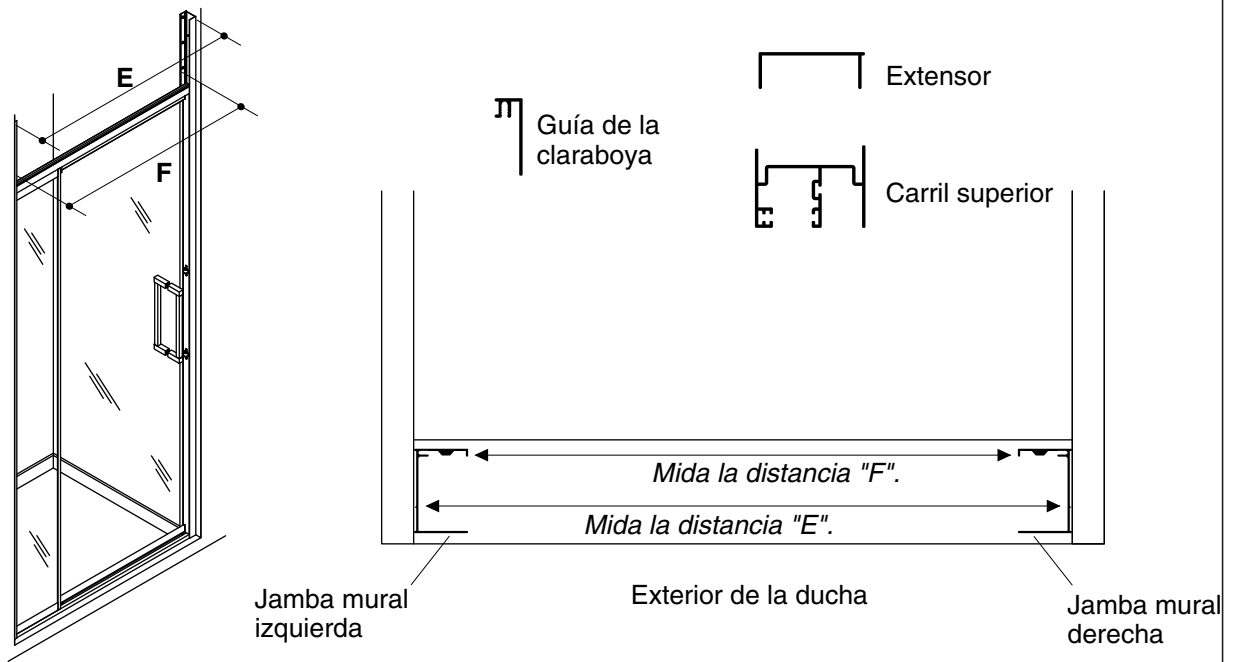
12. Ajuste y fije la puerta

Para ajustar el panel de puerta

- Abra la puerta para obtener acceso a los ajustadores de clavijas ubicados en los marcos superior e inferior en la lado pivotante del panel de vidrio.
- Con un destornillador Phillips, haga girar el ajustador de clavijas superior para mover la clavija a la marca en el marco. Dé vueltas al tornillo hacia la derecha para acercar la clavija al borde del vidrio.
- Ajuste la puerta de tal forma que quede un espacio de por lo menos 1/4" (6 mm) entre el marco inferior y la parte superior del umbral.
- La puerta debe quedar alineada parejo a los largo de la jamba de contacto y debe abrir sin dificultades sin que las tapas de los extremos golpeen la jamba de contacto. Si las tapas de los extremos golpean la jamba de contacto, la puerta o la jamba de contacto necesita más ajustes.
- Asegúrese de que el panel de la puerta comprime el sello de contacto a lo largo de la puerta. Si hay un espacio en la parte superior o inferior, la jamba mural debe ser ajustada.
- Si la jamba mural necesita ajuste, retire la jamba de contacto y afloje los tornillos que sostienen la jamba mural en su lugar (no los saque). Mueva de posición la jamba mural lo que sea necesario y fije los tornillos.
- Revise cómo abre y cierra la puerta para asegurarse de que los bordes del vidrio hagan contacto con los pestillos.
- Vuelva a instalar las tapas de los extremos en los marcos superior e inferior del panel de la puerta dándoles ligeros golpecitos a su lugar con un mazo de goma.
- Si las tapas de los extremos quedan sueltas al volver a instalarlas, desmóntelas, aplíqueles sellador de silicona y vuelva a instalarlas.

Para fijar la jamba de contacto

- Desde el interior de la ducha, use los orificios taladrados con anticipación en la jamba mural como guía para taladrar orificios de 1/8" en la jamba de contacto.
- Fije la jamba de contacto en su lugar con 4 tornillos de cabeza plana #8 x 3/4". No apriete demasiado.



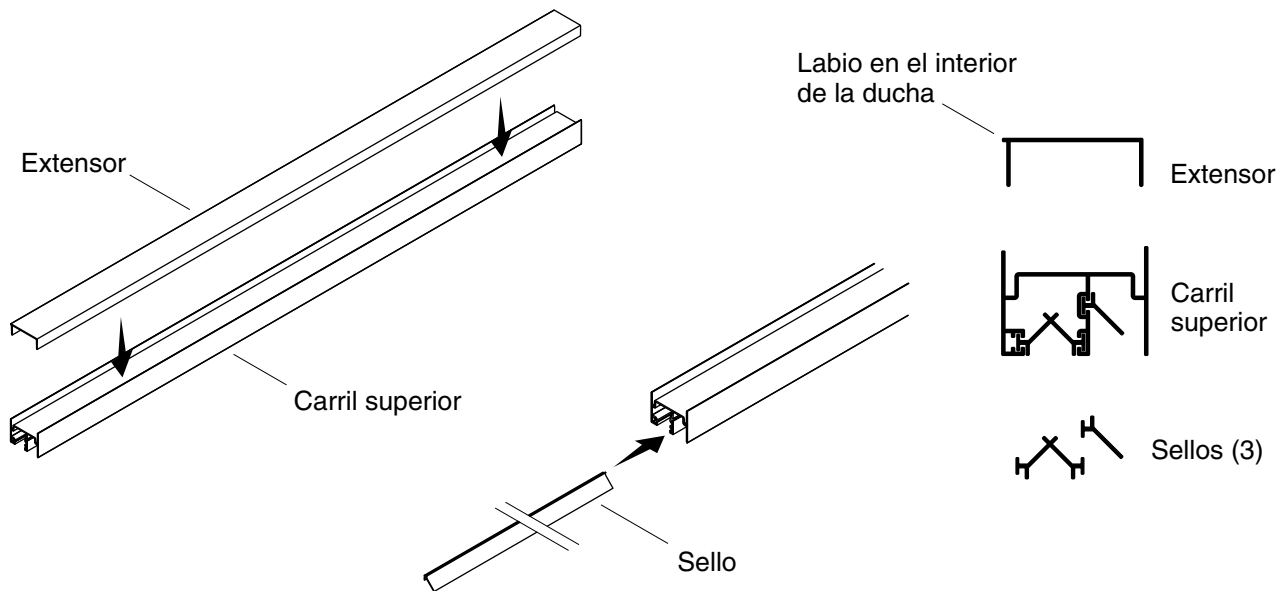
13. Corte el carril superior y el expansor

Carril superior y expansor

- Hasta arriba de las jambas murales, mida la distancia "E" como se muestra.
- Reste 1/8" (3 mm) de la dimensión "E".
- Transfiera esta medida al carril superior y al expansor.
- Corte el carril superior y el expansor a lo largo de la línea marcada.

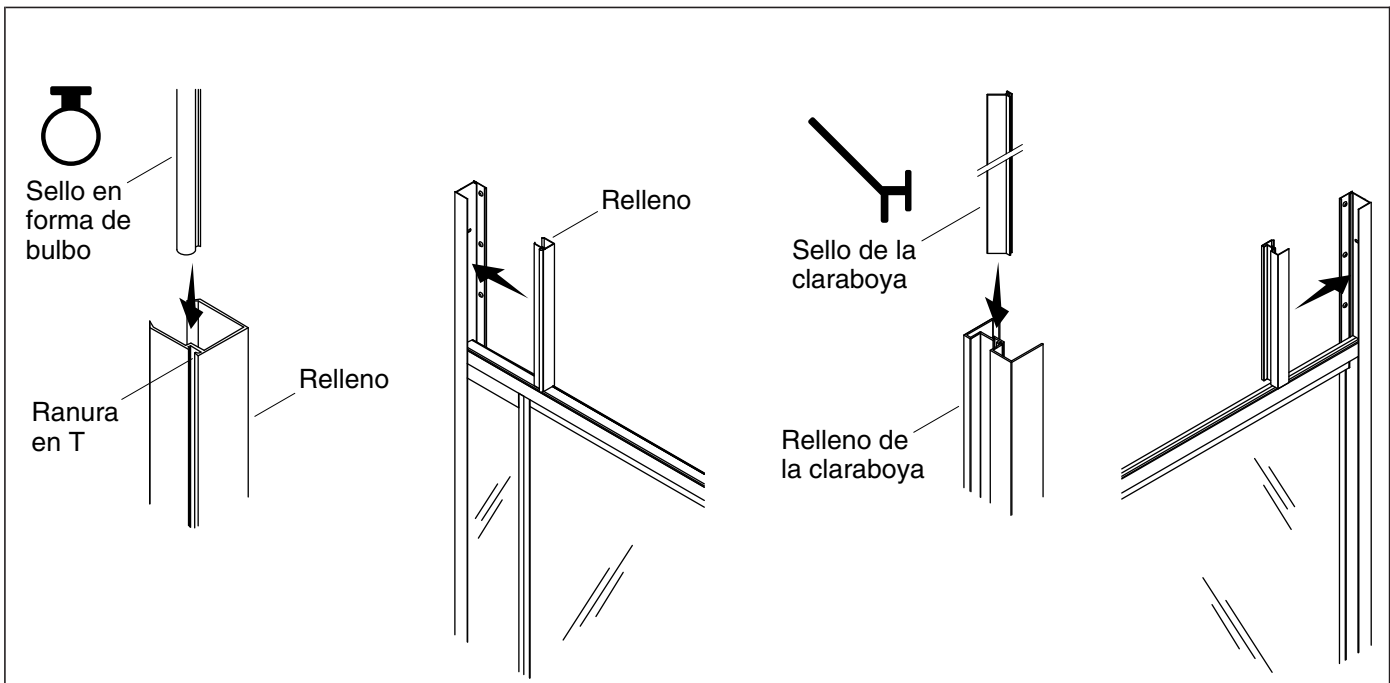
Guía de la claraboya

- Mida la distancia "F" sobre el dintel entre las jambas murales.
- Transfiera esta medida a la guía de la claraboya.
- Corte la guía de la claraboya a lo largo del interior de la línea marcada.



14. Instale el carril superior y el expansor

- Corte los 3 sellos de la claraboya a la misma longitud que el carril superior.
- Deslice los sellos de la claraboya en las ranuras en T del carril superior, como se muestra.
- Introduzca el expansor en el carril superior con el labio en el mismo lado que el canal de 2 sellos del carril superior.
- Oriente el montaje del carril superior con el labio y los 2 sellos hacia el interior de la ducha.
- Introduzca el montaje del carril superior entre las jambas murales inclinando el montaje y deslizando los extremos en las jambas murales.
- Empuje el montaje del carril superior hasta el techo y temporalmente péguelo con cinta en su lugar.



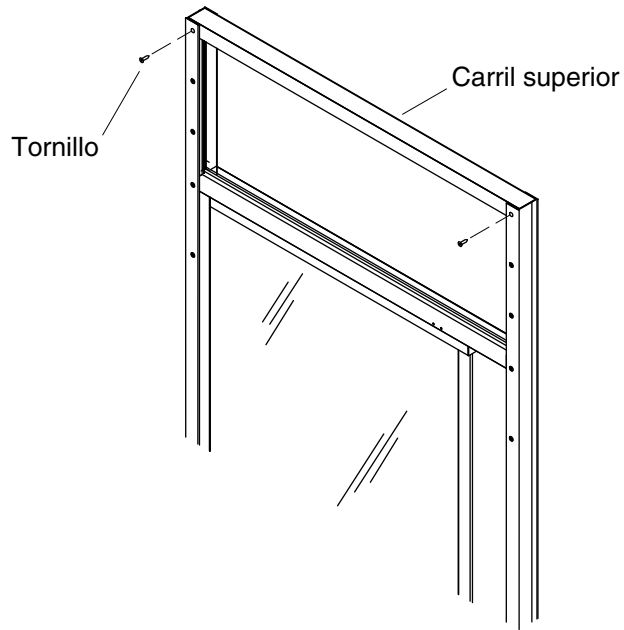
15. Instale las piezas de relleno de la claraboya

Pieza de relleno lateral de la claraboya del panel lateral

- Corte el sello en forma de bulbo a una longitud de 12" (30,5 cm).
- Deslice el sello en forma de bulbo hacia dentro de la ranura en T en la pieza de relleno.
- Coloque la pieza de relleno en la jamba mural sobre el panel lateral con la superficie plana de la pieza de relleno de cara hacia fuera y el sello en forma de bulbo hacia el exterior de la ducha. No fije en este momento.

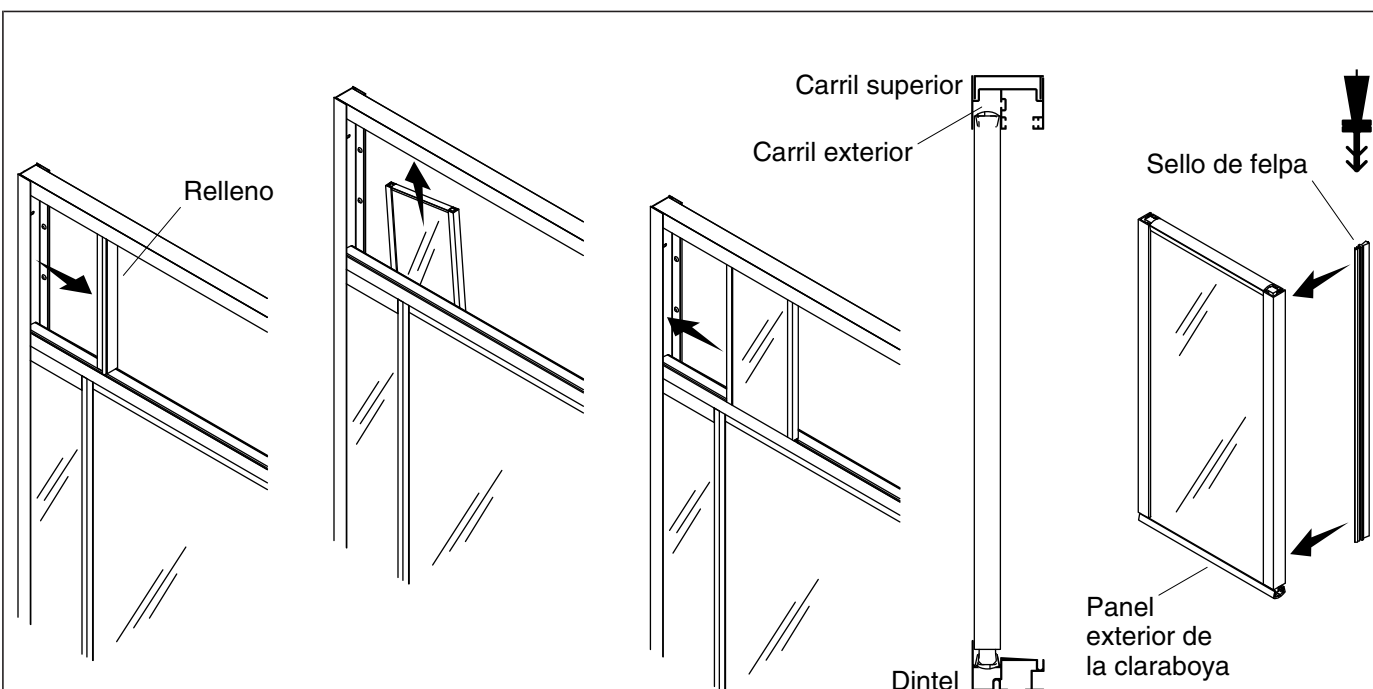
Pieza de relleno de la claraboya del lado de contacto

- Corte el sello de la claraboya a una longitud de 12" (30,5 cm).
- Deslice el sello de la claraboya hacia dentro de la ranura en T en la pieza de relleno de la claraboya.
- Instale la pieza de relleno en la jamba mural sobre la jamba de contacto con el sello de la claraboya hacia el interior de la ducha.
- Con los orificios taladrados con anticipación en la jamba mural como guía, taladre orificios de 1/8" en la pieza de relleno de la claraboya.
- Fije la pieza de relleno de la claraboya a la jamba mural con 2 tornillos de cabeza plana #8 x 3/4".



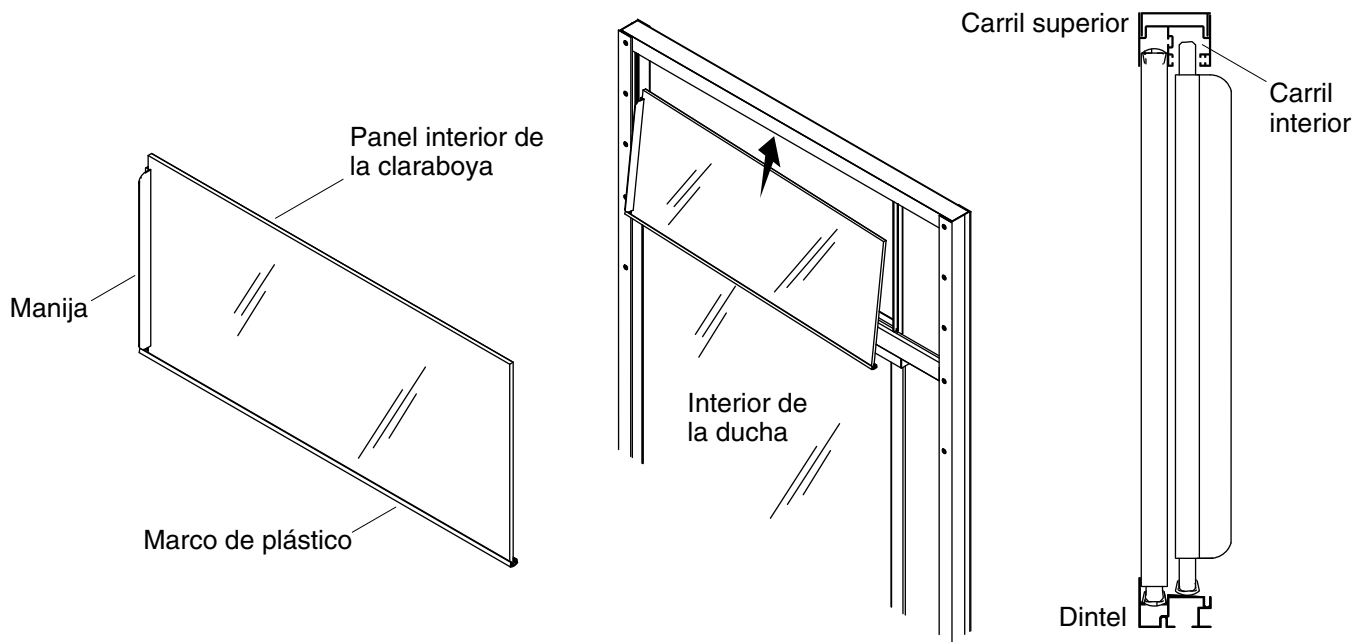
16. Fije el carril superior

- Retire la cinta adhesiva del montaje del carril superior.
- Baje el montaje superior a que descansa sobre ambas piezas de relleno.
- Con los orificios taladrados con anticipación en la jamba mural como guía, taladre orificios de 1/8" en el carril superior.
- Fije el carril superior con 2 tornillos de cabeza plana #8 x 3/4".



17. Instale el panel exterior de la claraboya

- Retire la pieza de relleno sobre el panel lateral
- Identifique la parte superior del panel exterior de la claraboya; los 2 marcos laterales de metal están al ras con el marco de plástico.
- Desde el interior de la ducha, levante e incline el panel exterior de la claraboya hacia arriba hacia dentro del carril exterior del carril superior.
- Incline la parte inferior del panel hacia el dintel hasta que quede asentado en el carril en la parte superior del dintel.
- Deslice el panel hacia la jamba mural y alinee el marco lateral con el marco en el panel lateral.
- Vuelva a instalar la pieza de relleno entre la jamba mural y el panel con el sello en forma de bulbo hacia el panel.
- Con los orificios taladrados con anticipación en la jamba mural, taladre orificios de 1/8" en la pieza de relleno.
- Con una llave hexagonal de 3/32" fije la pieza de relleno a la jamba mural con 2 tornillos de cabeza plana #8 x 3/4".
- Oprima el sello de cinta aislante de fibras en el canal en el interior del marco del panel de la claraboya.



18. Instale el panel interior de la claraboya

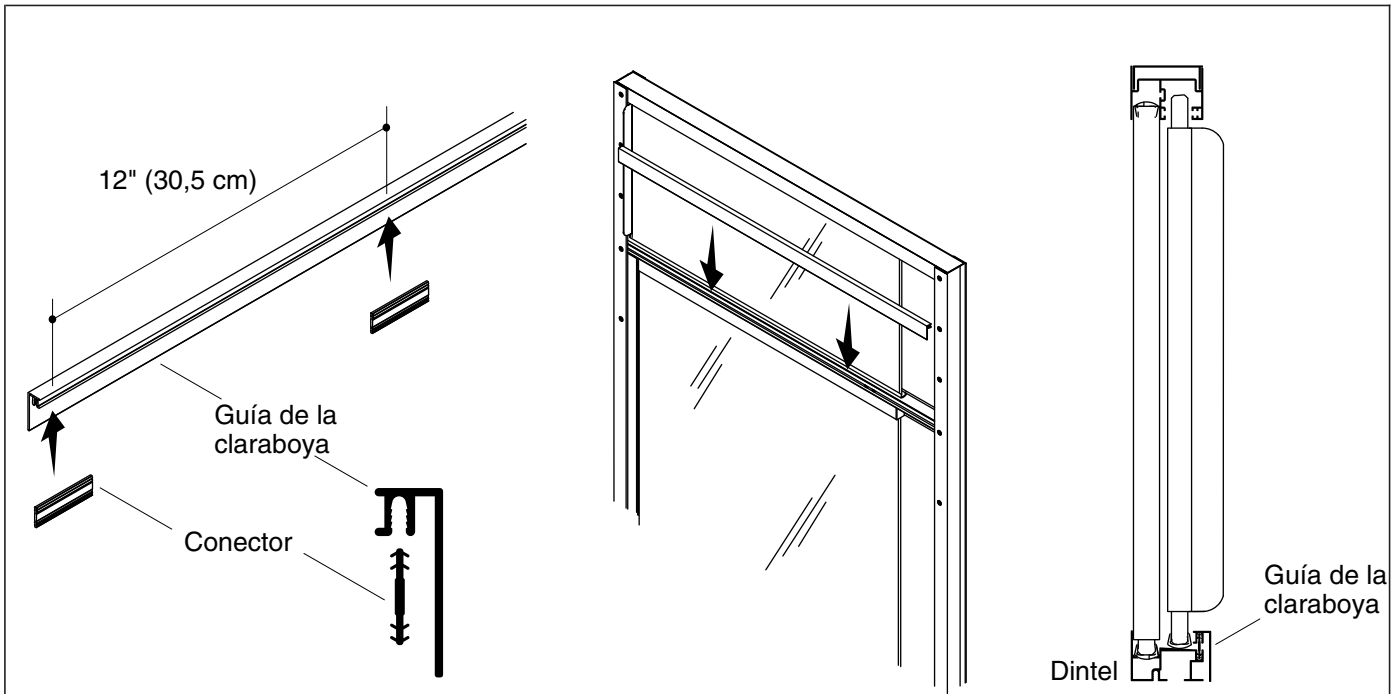
¡IMPORTANTE! El marco de plástico de la claraboya viene preinstalado al panel interior de la claraboya. Cuando el panel está instalado, la manija quedará orientada en el lado de contacto de la puerta hacia el interior de la ducha y el marco de plástico debe quedar en el fondo. El marco de plástico puede ser retirado y vuelto a instalar en el lado opuesto del panel, si es necesario.

- Desde el interior de la ducha, levante el panel interior de la claraboya hacia arriba hacia dentro del carril interior del carril superior.
- Incline la parte inferior del panel hacia el dintel hasta que quede asentado sobre el dintel.



PRECAUCIÓN: Riesgo de lesiones personales o daños al producto. El panel no está seguro en su lugar en este momento. Sostenga el panel con ambas manos hasta que quede temporalmente en su lugar dentro de la pieza de relleno de la claraboya.

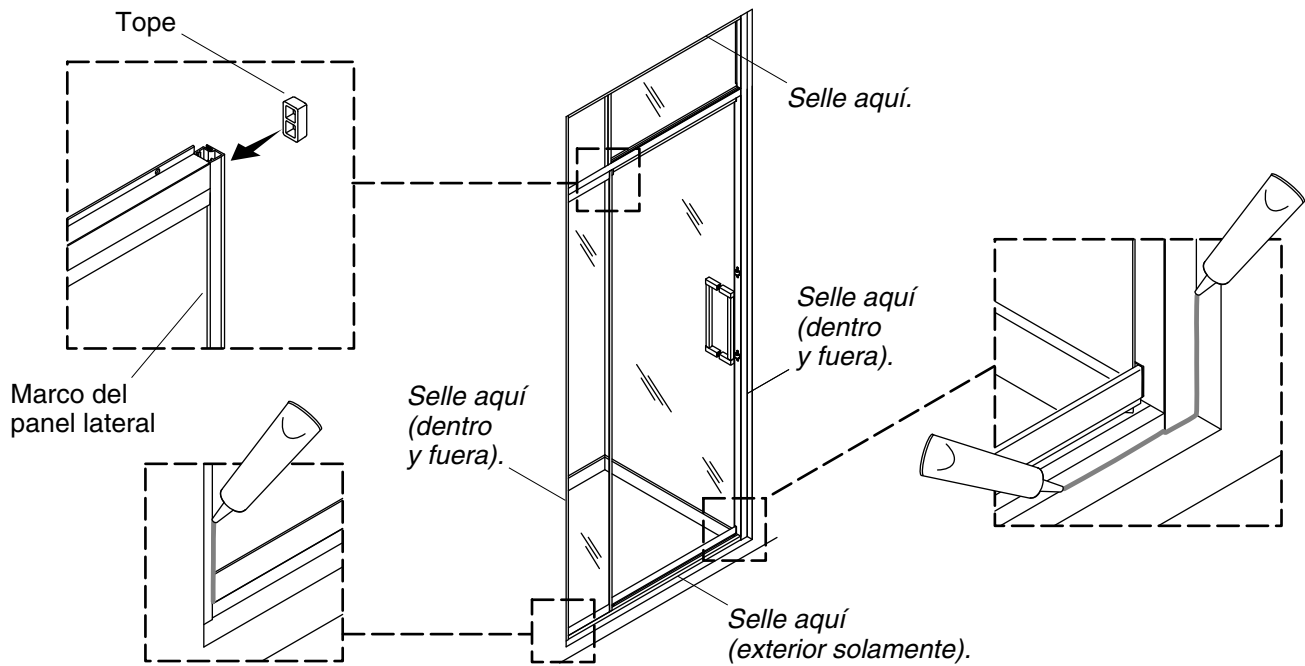
- Deslice el panel dentro de la pieza de relleno de la claraboya en el lado de contacto de la puerta.



19. Instale la guía de la claraboya

- Presione los conectores dentro del canal en la guía de la claraboya. Coloque un conector a cada extremo de la guía de la claraboya, y luego cada 12" (30,5 cm) a lo largo de la longitud de la guía.
- Oprima el montaje de la claraboya dentro de la ranura en el dintel.

NOTA: Habrá una ligera separación entre la guía de la claraboya y el dintel.



20. Termine la instalación

Una los topes y el logotipo de Kohler

- Instale un tope en el borde del marco del panel lateral, como se muestra.
- Instale dos topes en la pieza de relleno en la claraboya.
- Si corresponde, instale el logotipo de KOHLER en el centro del umbral (no se muestra).

Aplique sellador

¡IMPORTANTE! Con cuidado siga las instrucciones de aplicación y tiempo de secado del fabricante del sellador de silicona.

NOTA: Limpie y seque bien todas las superficies donde se vaya a aplicar sellador de silicona.

- Con cinta de enmascarar proteja las áreas adyacentes a aquellas en las que esté aplicando sellador.
- Aplique un hilo continuo de sellador de silicona al exterior y al interior de las juntas verticales donde las jambas murales se unen con la pared.
- Aplique un hilo continuo de sellador al exterior de la junta vertical entre la jamba mural y el panel lateral, como se muestra.
- Aplique un hilo continuo de sellador de silicona al lado seco del umbral donde se une con el reborde de la ducha. No aplique sellador al lado mojado del umbral.
- Aplique un hilo continuo de sellador donde el expansor del dintel se une al techo para crear una barrera al vapor.

Guía para resolver problemas

Esta guía para resolver problemas está diseñada únicamente como ayuda general. Si tiene preguntas con respecto al servicio o a la instalación, llame al 1-800-4-KOHLER.

Tabla para resolver problemas

Síntomas	Acción recomendada
Fugas de agua	

Guía para resolver problemas (cont.)

Tabla para resolver problemas

Síntomas	Acción recomendada
1. Se fuga agua bajo el panel de la puerta..	A. Desde el exterior de la ducha, aplique silicona a la junta donde el panel lateral hace contacto con el umbral.
2. Fugas de agua en la intersección del panel lateral y la jamba mural.	A. Desde el exterior de la ducha, aplique silicona a la junta donde el marco del panel lateral hace contacto con la jamba mural.
3. Se fuga agua bajo la puerta.	A. Verifique que todos los sellos estén en su lugar. Consulte la sección "Ensamble la puerta". B. Ajuste la puerta para disminuir el espacio entre el umbral y la parte inferior de la puerta. Consulte la sección "Ajuste y fije la puerta".
4. Se fuga agua entre la puerta y el panel lateral.	A. Comuníquese con el Centro de Atención al Cliente para poner un pedido de un sello de servicio. Presione el sello en el borde del panel de la puerta.
5. Se fuga agua por la jamba de contacto.	A. Ajuste la puerta para disminuir la separación entre la puerta y la jamba de contacto. Consulte la sección "Ajuste y fije la puerta". B. Ajuste las jambas de contacto de manera que la puerta haga contacto con el sello de contacto. Consulte la sección "Ajuste y fije la puerta".
Fugas de vapor	
NOTA: Este producto está diseñado para permitir que algo de vapor escape con el fin de que el movimiento de aire sea adecuado.	
1. El vapor se fuga alrededor de las jambas murales y por arriba del carril superior.	A. Deje que el área de la fuga se seque por completo. Aplique silicona en todos los puntos de fuga.
2. El vapor se fuga por la jamba de contacto.	A. Ajuste la puerta para disminuir la separación entre la puerta y la jamba de contacto. Consulte la sección "Ajuste y fije la puerta". B. Ajuste las jambas de contacto de manera que la puerta haga contacto con el sello de contacto. Consulte la sección "Ajuste y fije la puerta".
Función de la puerta	
1. La puerta golpea el umbral.	A. Ajuste la puerta para aumentar la separación entre la puerta y la jamba de contacto a 1/4" (6 mm). Consulte la sección "Ajuste y fije la puerta".
2. Es difícil abrir y cerrar la puerta.	A. Ajuste la puerta para aumentar la separación entre la puerta y la jamba de contacto, de tal forma que los pestillos no estén tan ajustados. Consulte la sección "Ajuste y fije la puerta". B. Ajuste las jambas de contacto de manera que la puerta haga contacto con el sello de contacto. Consulte la sección "Ajuste y fije la puerta". C. Retire los sellos de puerta inferiores y recorte un segmento. Vuelva a instalar los sellos.
3. La puerta se abre muy fácilmente o el pestillo se abre por sí mismo.	A. Ajuste la puerta para disminuir la separación entre la puerta y la jamba de contacto, de tal forma que los pestillos queden más ajustados. Consulte la sección "Ajuste y fije la puerta".
Función de la claraboya	
1. El panel interior de la claraboya raspa y hace ruido al deslizarse.	A. Asegúrese de que ambos sellos estén instalados en el carril superior. Consulte la sección "Instale el carril superior y el expansor". B. Asegúrese de que el marco de plástico esté instalado a la parte inferior del panel móvil. Consulte la sección "Instale el panel interior de la claraboya".

Guía para resolver problemas (cont.)

	<p>C. Asegúrese de que el carril superior esté instalado con el lado correcto de cara hacia el exterior de la ducha. Consulte la sección "Instale el carril superior y el expansor".</p>
<p>2. El panel interior de la claraboya no cierra.</p>	<p>A. Asegúrese de que las piezas de relleno de la claraboya estén correctamente instaladas. Consulte la sección "Instale las piezas de relleno de la claraboya".</p>

USA/Canada: 1-800-4KOHLER

México: 001-800-456-4537

kohler.com

THE BOLD LOOK
OF **KOHLER**®

©2014 Kohler Co.

1144163-2-B