

BYPASS BATH DOORS K-703012

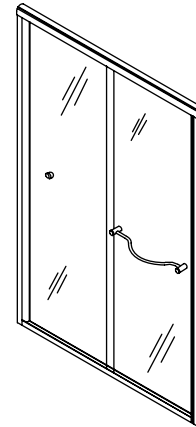
Features

- Reversible header
- 3/8" (1 cm) adjustability per side
- Removable bottom guide
- 1/4" (6 mm) thick tempered glass
- Non-derailing doors
- Solid brass towel bar and door knob
- Corrosion proof

Codes/Standards Applicable

Specified model meets or exceeds the following:

- ANSI Z97.1 (tempered glass)



Colors/Finishes

- 0: White
- SH: Bright Silver
- BH: Bright Brass
- L: Clear
- P2: Summer Shade™
- P3: Ocean Reef
- P4: Shoji™

Specified Model

Model	Application	Glass Options				Frame Finishes/Colors		
		<input type="checkbox"/> L	<input type="checkbox"/> P2	<input type="checkbox"/> P3	<input type="checkbox"/> P4	<input type="checkbox"/> SH	<input type="checkbox"/> BH	<input type="checkbox"/> 0
K-703012	Bath	<input type="checkbox"/> L	<input type="checkbox"/> P2	<input type="checkbox"/> P3	<input type="checkbox"/> P4	<input type="checkbox"/> SH	<input type="checkbox"/> BH	<input type="checkbox"/> 0
K-703014	Bath	<input type="checkbox"/> L	<input type="checkbox"/> P2	<input type="checkbox"/> P3		<input type="checkbox"/> SH	<input type="checkbox"/> BH	<input type="checkbox"/> 0
K-703018	Bath	<input type="checkbox"/> L	<input type="checkbox"/> P2	<input type="checkbox"/> P3	<input type="checkbox"/> P4	<input type="checkbox"/> SH	<input type="checkbox"/> BH	<input type="checkbox"/> 0
K-703020	Bath	<input type="checkbox"/> L				<input type="checkbox"/> SH	<input type="checkbox"/> BH	<input type="checkbox"/> 0
K-703022	Bath	<input type="checkbox"/> L				<input type="checkbox"/> SH	<input type="checkbox"/> BH	<input type="checkbox"/> 0
K-703023	Bath	<input type="checkbox"/> L				<input type="checkbox"/> SH	<input type="checkbox"/> BH	<input type="checkbox"/> 0

Product Specification

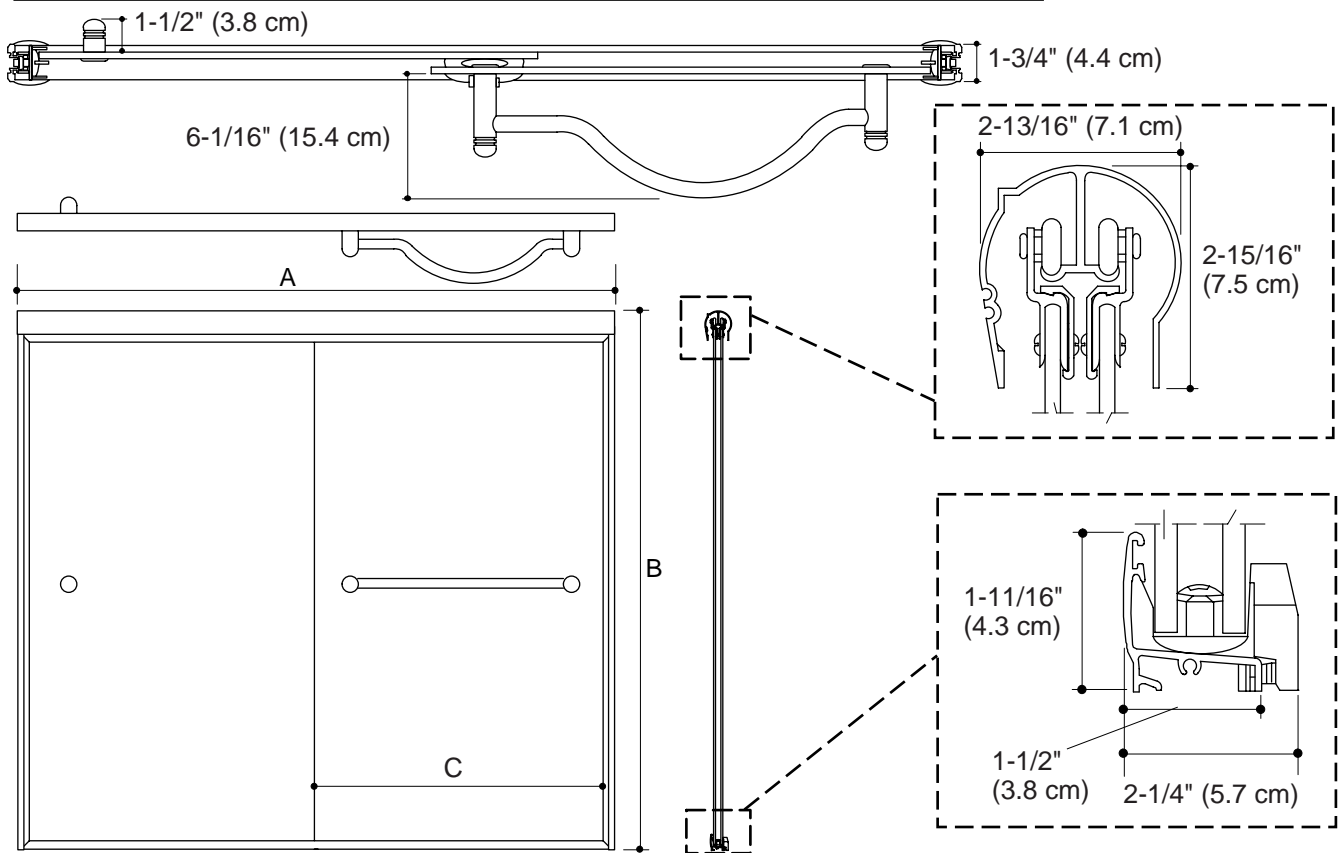
Bypass bath door shall have reversible header. Door shall include compression fit wall jambs, with 3/8" (1 cm) adjustability per side, removable bottom guide and frameless tempered 1/4" (6 mm) glass. Door shall feature non-derailing doors, and solid brass towel bar and door knob. Door shall be corrosion proof. Shower door shall be Kohler Model K-_____ - _____ - _____.

FORUM™

Installation Notes

Install this product according to the installation guide.

Roughing-In Notes			
	A (Max)	B	C (Walk Through)
K-703012	58" (147.3 cm)	56" (142.2 cm)	27-1/8" (68.9 cm)
K-703014	48" (121.9 cm)	58-1/2" (148.6 cm)	22-1/8" (56.2 cm)
K-703018	59-1/2" (151.1 cm)	58-1/2" (148.6 cm)	27-7/8" (70.8 cm)
K-703020	65-1/2" (166.4 cm)	58-1/2" (148.6 cm)	30-7/8" (78.5 cm)
K-703022	71-1/2" (181.6 cm)	58-1/2" (148.6 cm)	33-7/8" (86.1 cm)
K-703023	63" (160 cm)	52" (132.1 cm)	35-1/8" (89.2 cm)



Product Diagram