

Features

- Set of two legs with wire rack.
- Includes a Polished Chrome shelf and side rails.
- Combines with the K-2269 Memoirs sink for a complete vanity.
- Coordinates with other products in the Memoirs collection.

Material

- Solid brass.

Required Accessories

K-2269-1 Above-counter Bathroom Sink

or

K-2269-8 Above-counter Bathroom Sink



Codes/Standards





ASME A112.19.2/CSA B45.1

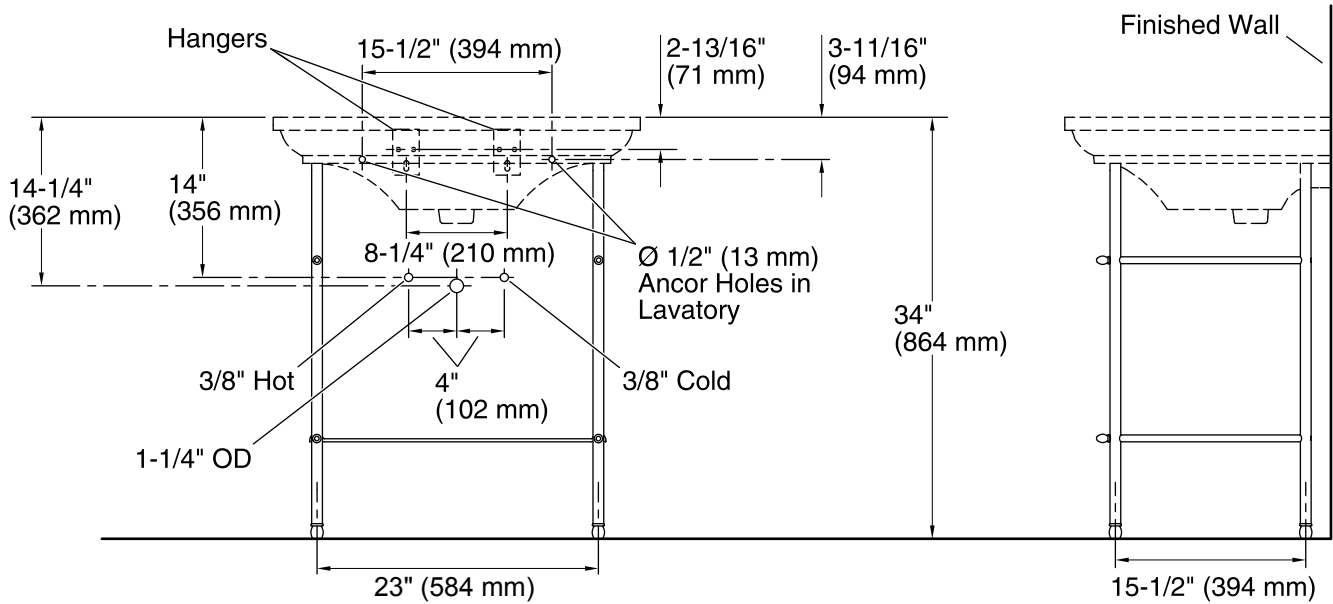
KOHLER® One-Year Limited Warranty

See website for detailed warranty information.

Available Color/Finishes

Color tiles intended for reference only.

Color	Code	Description
	CP	Polished Chrome
	AF	Vibrant® French Gold
	BN	Vibrant® Brushed Nickel
	BV	Vibrant® Brushed Bronze



Technical Information

All product dimensions are nominal.