

### Features

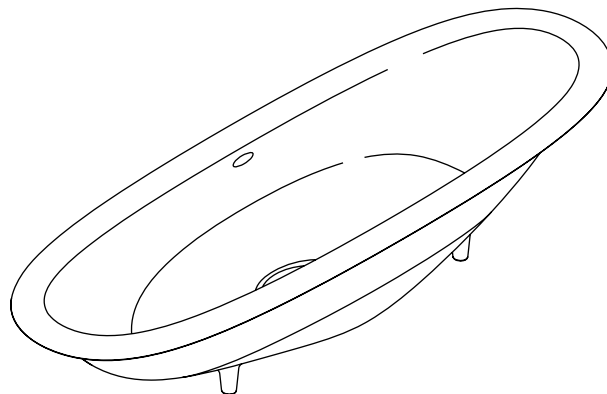
- KOHLER cast iron
- Acid-resistant enamel finish
- Self-rimming or undercounter
- Single compartment
- 33" (83.8 cm) x 11" (27.9 cm) x 6-11/16" (17 cm)

### SELF-RIMMING OR UNDERCOUNTER KITCHEN SINK K-6496

### Codes/Standards Applicable

Specified model meets or exceeds the following:

- ASME A112.19.1M
- IAPMO/UPC
- CSA B45



### Colors/Finishes

- 0: White
- Other: Refer to Price Book for additional colors/finishes

### Accessories:

- CP: Polished Chrome
- ST: Stainless Steel
- Other: Refer to Price Book for additional colors/finishes

### Specified Model

Model	Description	Colors/Finishes	
K-6496	Kitchen sink	<input type="checkbox"/> 0	<input type="checkbox"/> Other_____
<b>Optional Accessories</b>			
K-8801	Duostrainer® sink strainer	<input type="checkbox"/> CP	<input type="checkbox"/> Other_____
K-6632	Wire basket	<input type="checkbox"/> ST	

### Product Specification:

The kitchen sink shall be made of cast iron with acid-resistant enamel finish. Sink shall be single compartment. Sink shall be self-rimming or undercounter mount. Sink shall be 33" (83.8 cm) in length, 11" (27.9 cm) in width, and 6-11/16" (17 cm) in depth. Sink shall be Kohler Model K-6496-\_\_\_\_\_.

# IRON/TONES™

## Technical Information

Fixture*:	
Basin area	30-3/8" (77.2 cm) x 8-3/8" (21.3 cm)
Water depth	6" (15.2 cm)
Drain hole	3-7/8" (9.8 cm) D.
* Approximate measurements for comparison only.	

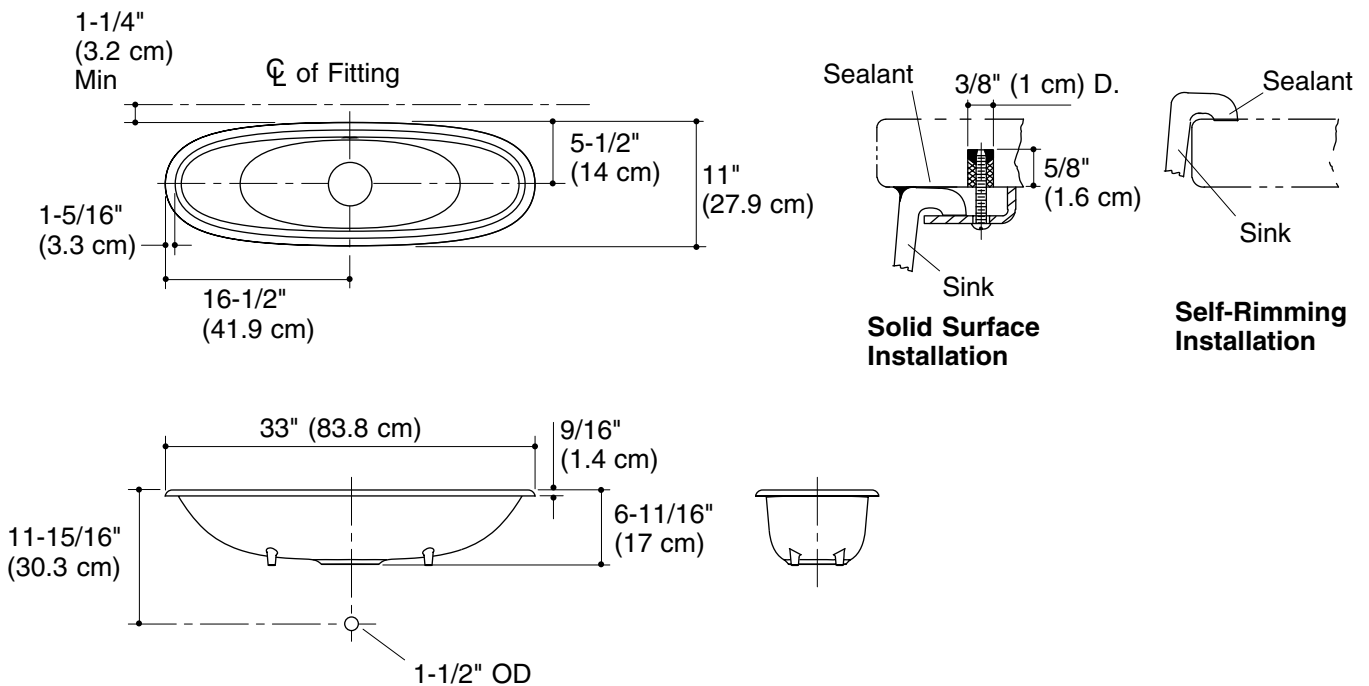
Included components:	
Basin clamp accessory pack	52047
Cut-out template	1048399-7

## Installation Notes

Install this product according to the installation guide.

For multiple bowl undercounter installations, a minimum distance of 3-3/8" (8.6 cm) is required between bowls. Countertop supplier to determine required support.

Supplied basin clamp assemblies require 1" (2.5 cm) minimum countertop thickness. Installer must supply hardware for thinner countertops.



## Product Diagram

IRON/TONES™ SELF-RIMMING OR UNDERCOUNTER KITCHEN SINK

Page 2 of 2  
1058444-4-A

THE BOLD LOOK  
OF **KOHLER**®