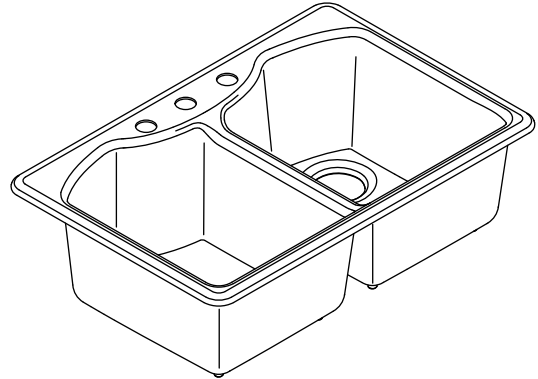


Features

- KOHLER cast iron
- Acid-resistant enamel finish
- Top-mount
- Double equal compartments
- Available with one, three, or four holes
- Left bottom bowl rack included
- Right bottom bowl rack included
- Sponge caddy included
- Cast iron cleaner included
- 33" (838 mm) x 22" (559 mm)

TOP-MOUNT KITCHEN SINK K-6482



Codes/Standards Applicable

Specified model meets or exceeds the following:

- ASME A112.19.1/CSA B45.2

Colors/Finishes

- 0: White
- Other: Refer to Price Book for additional colors/finishes

Accessories

- CP: Polished Chrome
- ST: Stainless Steel
- Other: Refer to Price Book for additional colors/finishes

Specified Model

Model	Description	Colors/Finishes	
K-6482-1A4	Top-mount kitchen sink with one hole	<input type="checkbox"/> 0	<input type="checkbox"/> Other_____
K-6482-3A4	Top-mount kitchen sink with three holes (shown)	<input type="checkbox"/> 0	<input type="checkbox"/> Other_____
K-6482-4A4	Top-mount kitchen sink with four holes	<input type="checkbox"/> 0	<input type="checkbox"/> Other_____

Included Accessories			
K-6545	Sponge caddy	<input type="checkbox"/> ST	
K-6640	Bottom bowl rack, left	<input type="checkbox"/> ST	
K-6659	Bottom bowl rack, right	<input type="checkbox"/> ST	
1012525	Cast iron cleaner, 8 oz (0.2 L)		<input type="checkbox"/> NA

Recommended Accessories			
K-9000	P-Trap	<input type="checkbox"/> CP	

Product Specification

The cast iron sink shall be 33" (838 mm) in length, and 22" (559 mm) in width. Sink shall have an acid-resistant enamel finish. Sink shall have a double equal compartments. Sink shall be top-mount and shall be available with one, three, or four holes. shall include left bottom bowl rack, right bottom bowl rack, sponge caddy, and cast iron cleaner. Sink shall be Kohler Model K-6482-____-____.

BELLEGROVE™

Optional Accessories

K-8801	Duostrainer® sink strainer	<input type="checkbox"/> CP	<input type="checkbox"/> Other _____
--------	----------------------------	-----------------------------	--------------------------------------

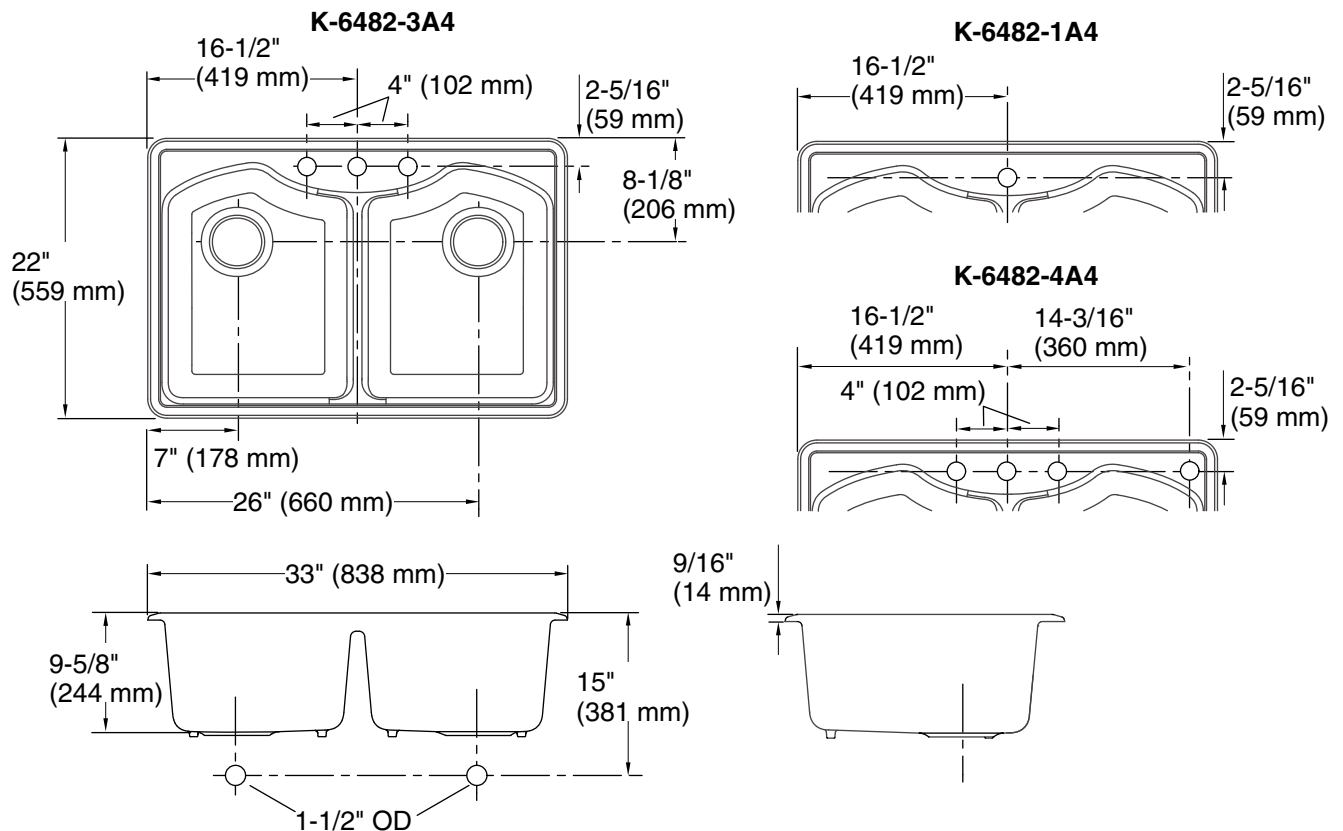
Technical Information

Fixture*:	
Sink	
Bowl area	29-3/4" (756 mm) x 18" (457 mm)
Bowl depth	9" (229 mm)
Drain hole	Ø 3-7/8" (98 mm)
Faucet hole	Ø 1-3/8" (35 mm)
* Approximate measurements for comparison only.	
Included component:	
Cut-out template	1159401-7

Installation Notes

Install this product according to the installation guide.

NOTICE: Countertop manufacturer or cutter **must** use the cut-out template provided with the product, or a current one provided by Kohler Co. (call 1-800-4-KOHLER). Kohler Co. is not responsible for cutout errors when the incorrect cut-out template is used.



Product Diagram