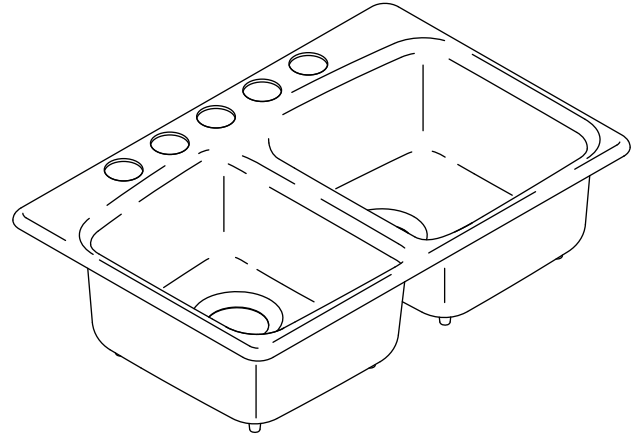


Features

- KOHLER cast iron
- Acid-resistant enamel finish
- Under-mount
- Double (equal) bowl
- 5-hole oversized
- Includes 23" (584 mm) under-mount sink kit
- 33" (838 mm) x 22" (559 mm)

UNDER-MOUNT KITCHEN SINK K-5942-5U



Codes/Standards Applicable

Specified model meets or exceeds the following:

- ASME A112.19.1/CSA B45.2

Colors/Finishes

- 0: White
- Other: Refer to Price Book for additional colors/finishes

Accessories

- CP: Polished Chrome
- 0: White
- Other: Refer to Price Book for additional colors/finishes
- NA: None applicable

Specified Model

Model	Description	Colors/Finishes	
K-5942-5U	Under-mount sink – 5-hole oversized	<input type="checkbox"/> 0	<input type="checkbox"/> Other_____
Recommended Accessories			
K-9000	Adjustable P-trap	<input type="checkbox"/> CP	
Optional Accessories			
K-5807	36" (914 mm) under-mount sink kit	<input type="checkbox"/> NA	
K-6010	Bottom bowl rack	<input type="checkbox"/> 0	<input type="checkbox"/> Other_____
K-6507	Hardwood cutting board	<input type="checkbox"/> NA	
K-6510	Wire rinse basket	<input type="checkbox"/> 0	<input type="checkbox"/> Other_____
K-8801	Duostrainer® sink strainer	<input type="checkbox"/> CP	<input type="checkbox"/> Other_____

Product Specification

The under-mount sink shall be 33" (838 mm) in length and 22" (559 mm) in width. Sink shall be made of cast iron with acid resistant enamel finish. Sink shall feature double (equal) bowl. Sink shall be 5-hole oversized. Sink shall include a 23" (584 mm) under-mount sink kit. Sink shall be Kohler Model K-5942-5U-_____.

BROOKFIELD™

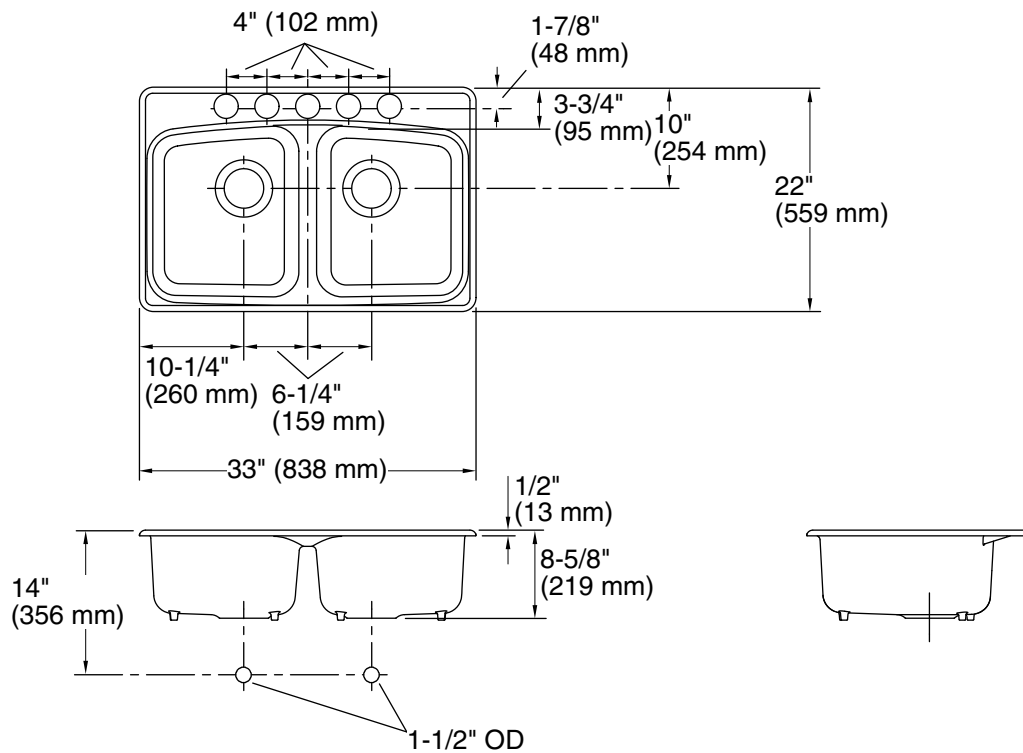
Technical Information

Fixture*:	
Bowl area	14" (356 mm) x 17" (432 mm)
Water depth	6-3/4" (171 mm)
Drain holes	Ø 3-7/8" (98 mm)
Faucet holes	Ø 2-3/8" (60 mm)
* Approximate measurements for comparison only.	

Included components:	
Cut-out template	1081455-7
23" (584 mm) under-mount sink kit	1054375

Installation Notes

Install this product according to the installation guide.



Product Diagram