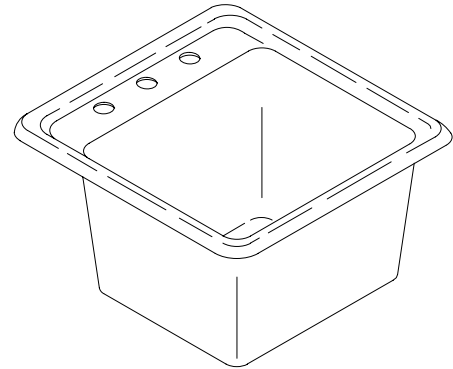


TILE-IN OR METAL FRAME UTILITY SINK

K-6582

FEATURES

- 20" x 21"
- Cast iron
- Acid resistant enamel finish
- Tile-in or metal frame installation
- Single compartment
- 3-hole (K-6582-3), or 2-hole (K-6582-2) drilling



CODES/STANDARDS APPLICABLE

Specified model meets or exceeds the following:

- ASME/ANSI A112.19.1M
- IAPMO/UPC
- State of Massachusetts

COLORS/FINISHES

- 0 White
- Other Refer to Fixtures Price Book for additional colors

Accessories:

- CP Polished Chrome
- NA None Applicable

SPECIFIED MODEL:

Model	Description	Colors/Finishes	
K-6582-3	3-hole sink	<input type="checkbox"/> 0 White	<input type="checkbox"/> Other_____
K-6582-2	2-hole sink	<input type="checkbox"/> 0 White	<input type="checkbox"/> Other_____

Recommended Accessories		
K-9000	Trap	<input type="checkbox"/> CP
Optional Accessories		
K-6503	Metal frame	<input type="checkbox"/> NA
K-8820	Sink strainer with tailpiece OR	<input type="checkbox"/> CP
K-8821	Sink strainer with rubber stopper and tailpiece	<input type="checkbox"/> CP

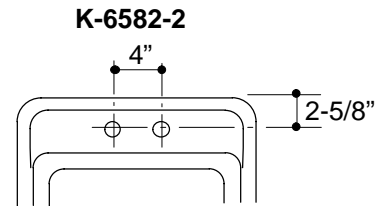
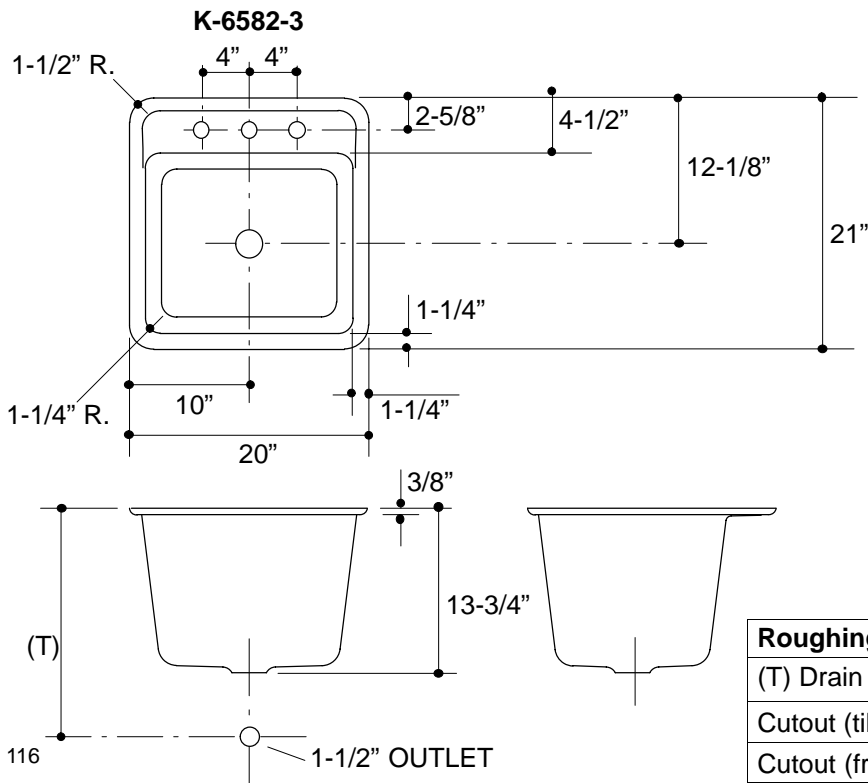
PRODUCT SPECIFICATION:

The tile-in or metal frame installation utility sink shall be 20" in length, and 21" in width. Sink shall be made of cast iron with acid resistant enamel finish. Sink shall be single compartment. Sink shall be 3-hole (K-6582-3), or 2-hole (K-6582-2) drilled. Sink shall be Kohler Model K-6582- _____ - _____.

PARK FALLS™

PRODUCT INFORMATION

Fixture*:		basin area	water depth
Sink		18" x 15"	12-5/8"
Water capacity	15 gals.		
Outlets	2-1/8" D.		
Faucet holes	1-3/8" D.		
* Approximate measurements for comparison only.			



Roughing-In Notes

(T) Drain typically 19-1/8".

Cutout (tile-in) 18-3/4" x 19-3/4" with 1" radius corners

Cutout (frame) Metal frame required.

PRODUCT DIAGRAM