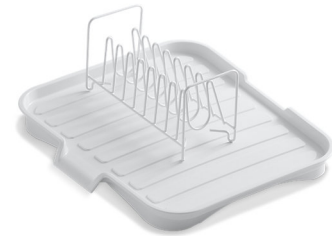




**Assure™**  
Drainboard with Sink Rack  
**K-6539**

**Features**

- Universal design fits any KOHLER kitchen sink.
- Durable vinyl-coated steel construction.
- Includes drainboard and wire rack.



**Codes/Standards**

None Applicable

**KOHLER® One-Year Limited Warranty**

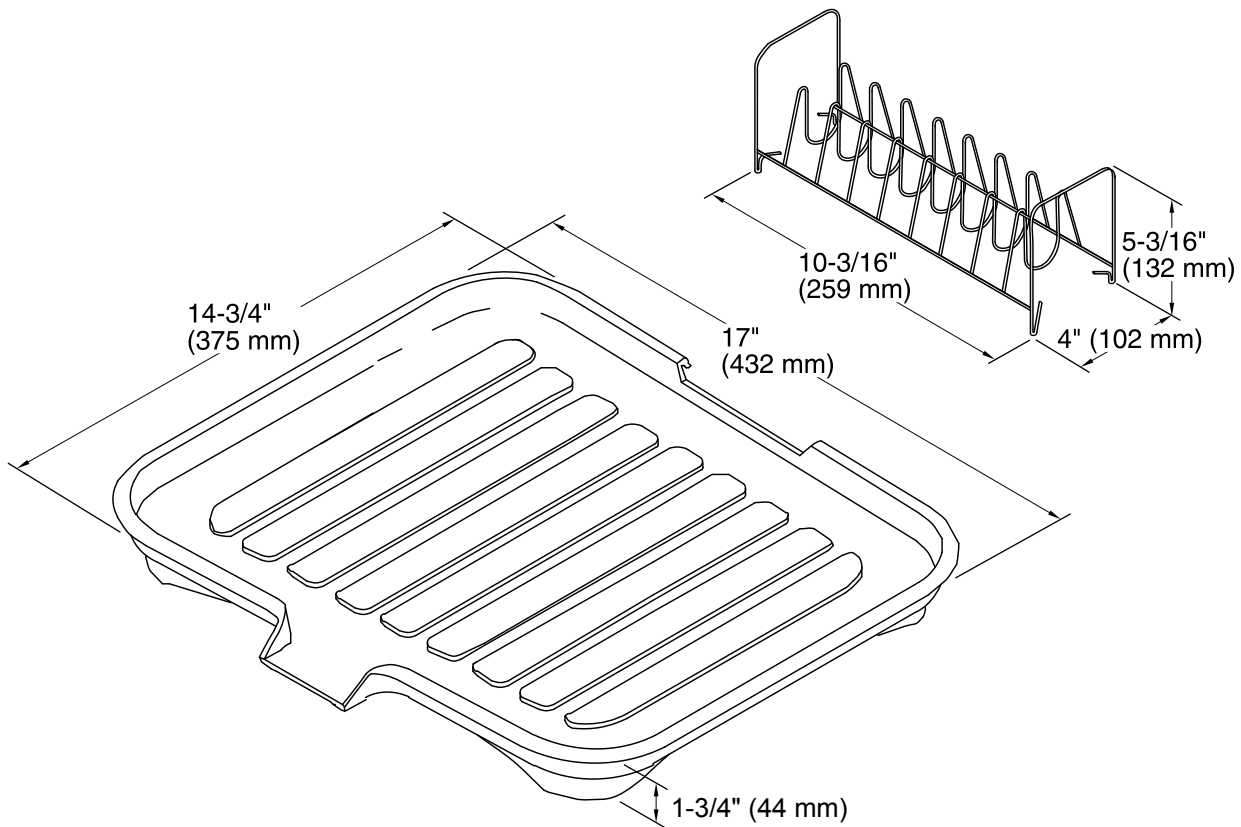
See website for detailed warranty information.

**Available Color/Finishes**

*Color tiles intended for reference only.*

**Color Code Description**

	0	White
--	---	-------



### Technical Information

All product dimensions are nominal.