



Deerfield® | K-5873-5U

33" undermount double-bowl kitchen sink

Features

- 36" minimum base cabinet width
- Double-equal bowls
- 9" (229 mm) depth provides generous workspace
- Five oversized faucet holes
- Oversized holes allow for easy installation of faucets and accessories
- Rear drain placement increases cabinet storage space underneath sink



Sustainability



Available Colors/Finishes

Color tiles intended for reference only.

- 0 White



1-800-4KOHLER (1-800-456-4537)
Kohler Co. reserves the right to make revisions without notice to product specifications.
For the most current specification sheet, go to www.kohler.com USA or www.kohler.ca Canada.
4-15-2026 4:57 - US-CA

THE BOLD LOOK
OF **KOHLER**

Codes/Standards

ASME A112.19.1/CSA B45.2

Technical Information

All product dimensions are nominal.

| | |
|-----------------------------|-------------------|
| Number of Deck Holes: | 5 |
| Faucet Hole(s) Size: | 2-3/8" (60 mm) |
| Center(s): | 8" (203 mm) |
| Drain Hole Diameter: | 3-7/8" (98 mm) |
| Minimum Base Cabinet Width: | 36" (914 mm) |
| Basin Configuration: | Equal Bowls |
| Left Basin Length: | 14-1/4" (362 mm) |
| Left Basin Width: | 16-9/16" (421 mm) |
| Left Basin Depth: | 9" (229 mm) |
| Right Basin Length: | 14-1/4" (362 mm) |
| Right Basin Width: | 16-5/8" (422 mm) |
| Right Basin Depth: | 9" (229 mm) |

Material

- KOHLER® enameled cast iron
-

Recommended Products/Accessories

K-6122 Sink rack, right
1411886 Undermount Kit 23"
K-23726 Drain treatment
K-6121 Sink rack, left
K-23725 Cast iron cleaner
K-8801 Sink drain and strainer with tailpiece
K-8799 Sink drain and strainer basket, less tailpiece

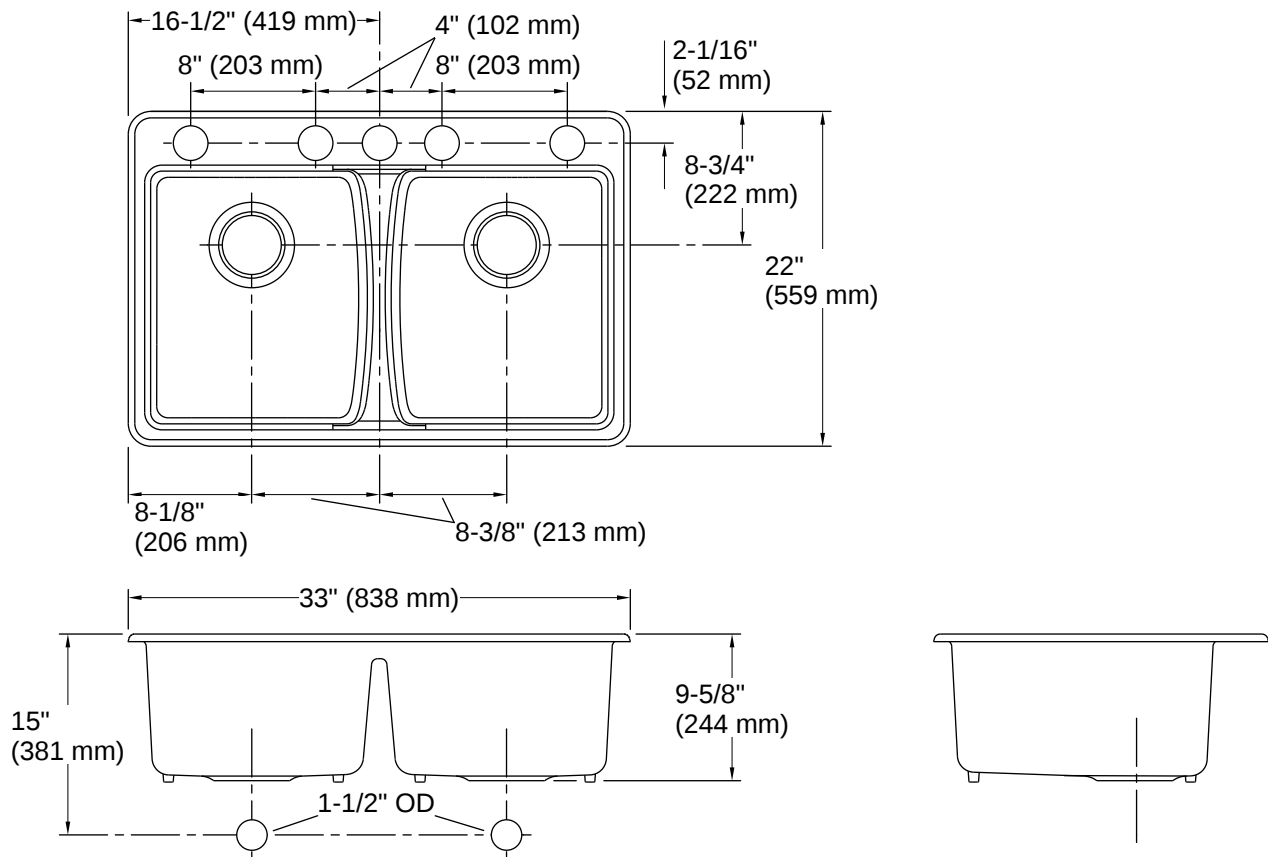
Warranty

See website for detailed warranty information.

KOHLER® Enameled Cast Iron Kitchen and Bathroom Sink Lifetime Limited Warranty



1-800-4KOHLER (1-800-456-4537)
Kohler Co. reserves the right to make revisions without notice to product specifications.
For the most current specification sheet, go to www.kohler.com USA or www.kohler.ca Canada.
4-15-2026 4:57 - US-CA



Installation

- Includes cutout template
- Undermount

Installation Notes

Install this product according to the installation instructions.

NOTICE: Countertop manufacturer or cutter must use the cutout template provided with the product, or a current one provided by Kohler Co. (call 1-800-4-KOHLER). Kohler Co. is not responsible for cutout errors when the incorrect cutout template is used.

