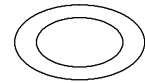
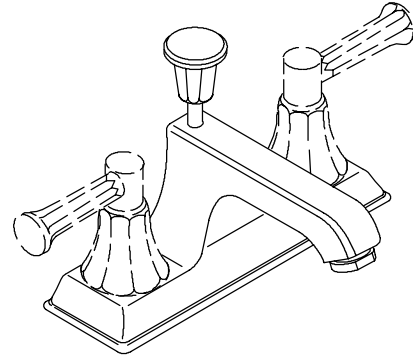


**LAVATORY FAUCET
K-452**

FEATURES

- Brass construction
- For 4" (10.2cm) centers
- Brass valve bodies
- Quarter-turn washerless ceramic disc valves
- 4-1/2" (11.4cm) spout
- 2.2 gallons (8.3L) per minute
- Pop-up drain with lift rod and tailpiece
- Cross handle
- Lever handle



CODES/STANDARDS APPLICABLE




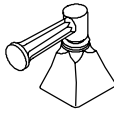
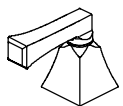
Specified model meets or exceeds the following:

- ASME/ANSI A112.18.1M
- CSA International B125
- Energy Policy Act of 1992
- IAPMO/UPC
- NSF 61

COLORS/FINISHES

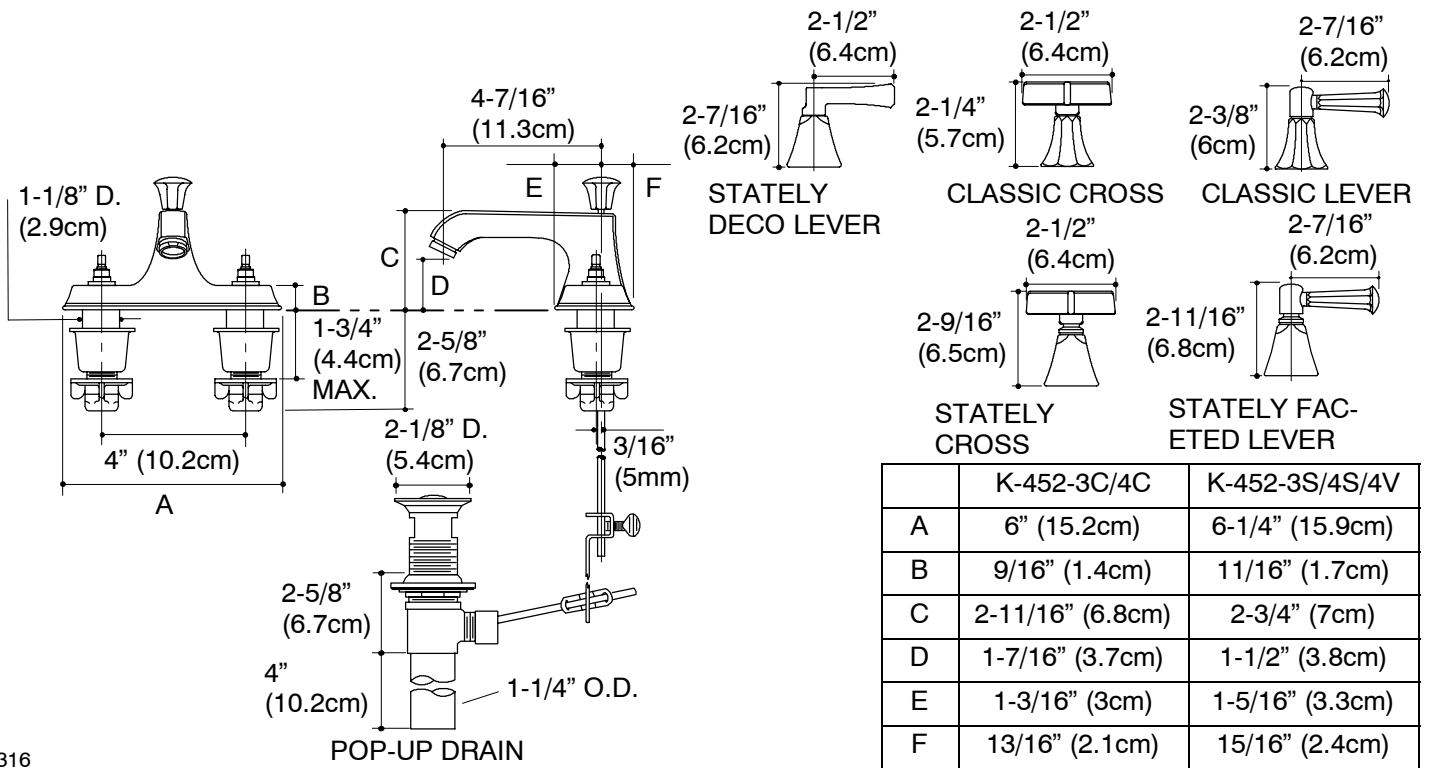
- CP Polished Chrome
- PB Polished Brass
- Other Refer to Faucets Price Book for additional finishes

SPECIFIED MODEL:

Model	Description	 ADA	 ADA
K-452-3C	Classic Cross Handle	<input type="checkbox"/> CP <input type="checkbox"/> PB <input type="checkbox"/> Other _____	
K-452-3S	Stately Cross Handle		<input type="checkbox"/> CP <input type="checkbox"/> PB <input type="checkbox"/> Other _____
		 ADA	 ADA
K-452-4C	Classic Lever Handle (shown)	<input type="checkbox"/> CP <input type="checkbox"/> PB <input type="checkbox"/> Other _____	
K-452-4S	Stately Faceted Lever Handle		<input type="checkbox"/> CP <input type="checkbox"/> PB <input type="checkbox"/> Other _____
			 ADA
K-452-4V	Stately Deco Lever Handle		<input type="checkbox"/> CP <input type="checkbox"/> PB <input type="checkbox"/> Other _____

PRODUCT SPECIFICATION:

Two-handle centerset lavatory faucet shall be of brass construction. Faucet shall feature brass valve bodies. Faucet shall feature quarter-turn washerless ceramic disc valves, assuring positive handle stop positioning. Product shall include 4" (10.2cm) centers, 4-1/2" (11.4cm) spout, pop-up drain with lift rod and tailpiece, cross and lever handles. Faucet shall be Kohler Model K-452-_____-_____-_____.



316

PRODUCT DIAGRAM