



Primary™ | K-4686-A

Commercial round-front toilet seat with antimicrobial agent

Features

- Open-front seat without lid
- Plastic hinges
- Antimicrobial agent inhibits growth of odor-causing bacteria, mold, and mildew. This product does not protect users against bacteria, viruses, or other disease organisms. Always clean and wash this product thoroughly before and after each use



Codes/Standards

Plumbing codes may require elongated toilets and elongated, open-front seats in public bathrooms.

Technical Information

All product dimensions are nominal.

Seat Shape Type:	Round-front
Seat Front Type:	Open-front
Seat Hinge Type:	Check
Seat-Mounting Holes:	5-1/2" (140 mm)

Material

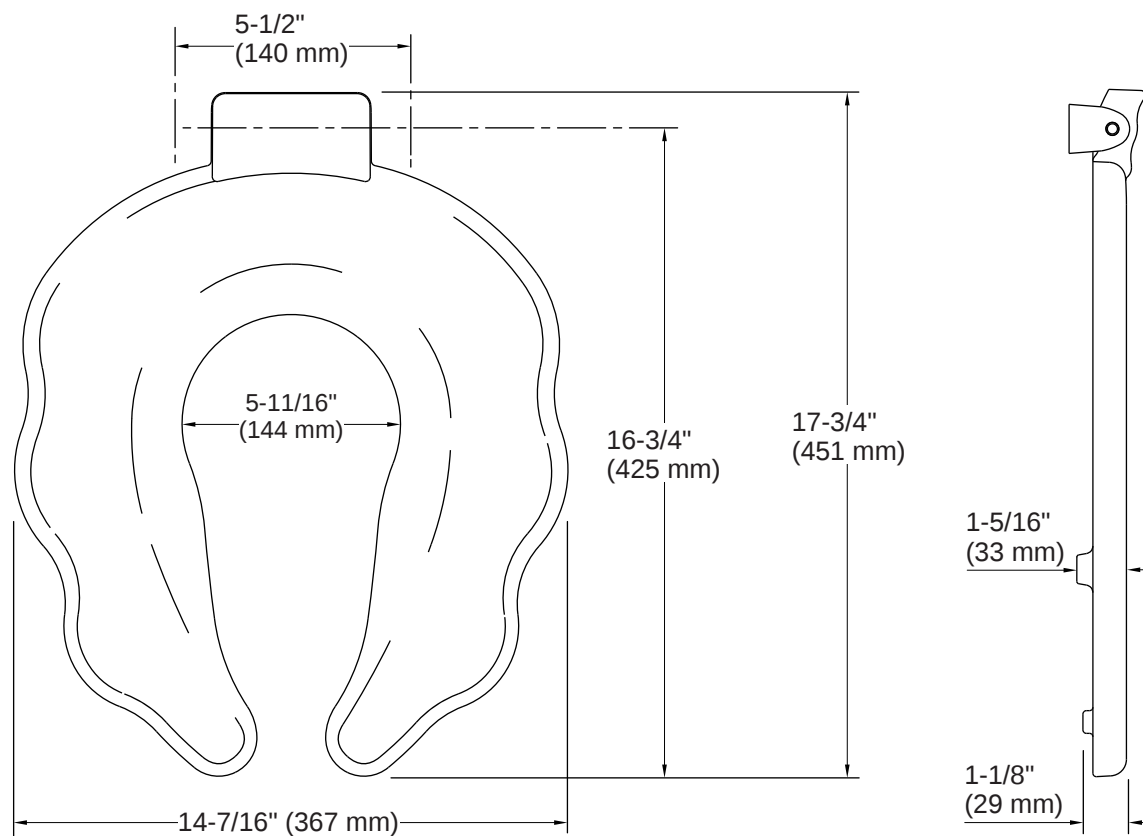
- Plastic construction
-

Warranty

See website for detailed warranty information.

KOHLER® One-Year Limited Warranty





Installation Notes

Install this product according to the installation instructions.

