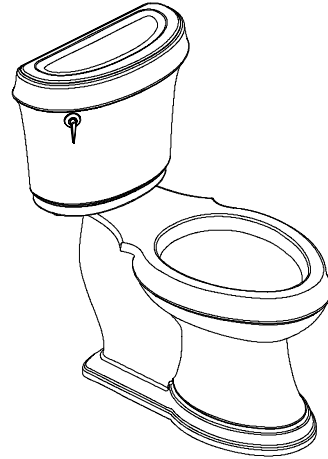


### FEATURES

- Ingenium™ flushing system
- 1.6 gpf (6 lpf)
- Comfort height
- Concealed trapway
- Elongated bowl
- Includes polished chrome trip lever
- 12" (30.5cm) rough-in
- Vitreous china
- 9-7/8" (25.1cm) x 8-5/8" (21.9cm) water area
- 2" (5.1cm) glazed trapway
- Less seat and supply



### CODES/STANDARDS APPLICABLE

Specified model meets or exceeds the following:

- ADA
- ASME/ANSI A112.19.2M
- ASME/ANSI A112.19.6M
- Energy Policy Act of 1992 (EPACT)
- IAPMO/UPC
- Canadian Standards Association (CSA)

### COLORS/FINISHES

- 0 White
- Other Refer to Price Book for additional colors

#### Accessories:

- CP Polished Chrome
- PB Polished Brass
- Other Refer to Price Book for additional colors

### SPECIFIED MODEL:

Model	Description	Colors/Finishes	
		<input type="checkbox"/> 0 White	<input type="checkbox"/> Other _____
K-3486	Elongated bowl toilet (left hand trip lever)	<input type="checkbox"/> 0 White	<input type="checkbox"/> Other _____
<b>Recommended Accessories</b>			
K-4652	Lustra™ seat with cover	<input type="checkbox"/> 0 White	<input type="checkbox"/> Other _____
K-4653	French Curve™ seat with cover	<input type="checkbox"/> 0 White	<input type="checkbox"/> Other _____
K-7637	Angle with supply stop	<input type="checkbox"/> CP	<input type="checkbox"/> Other _____
<b>Optional Accessories</b>			
K-9461	Trip lever	<input type="checkbox"/> PB	<input type="checkbox"/> Other _____

### PRODUCT SPECIFICATION:

The elongated toilet combination shall be 12" (30.5cm) rough-in. Toilet shall be made of vitreous china. Toilet shall be at Comfort Height. Toilet shall be 1.6 gpf (6 lpf) with Ingenium™ flushing system. Toilet shall have 2" (5.1cm) glazed trapway. Toilet shall have 9-7/8" (25.1cm) x 8-5/8" (21.9cm) water area. Toilet shall include polished chrome trip lever. Toilet shall be ADA compliant when toilet plus seat ring combined measures a minimum of 17" (43.2cm) high. Toilet shall have concealed trapway. Toilet shall be less seat and supply. Toilet shall be Kohler Model K-3486-\_\_\_\_\_.

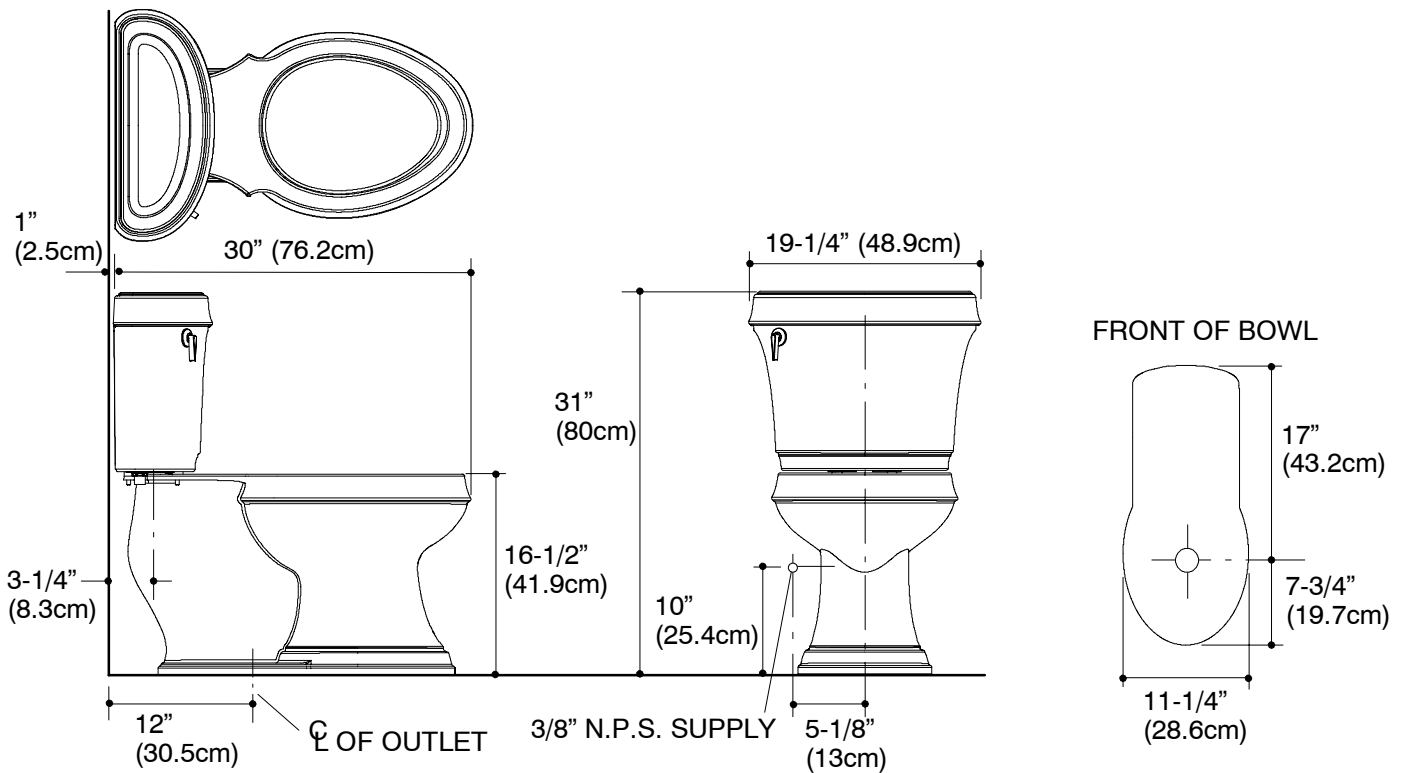
# LEIGHTON COMFORT HEIGHT™

## PRODUCT INFORMATION

Included Components:	
Bowl	K-4275
Tank	K-4628
Tank cover	1016946
Trip lever, left hand	K-9461
<b>ADA compliant.</b>	
Fixture:	
Configuration	2-piece, elongated
Water per flush	1.6 gallons (6 L)
Passageway	2" (5.1)
Water area	9-7/8" (25.1cm) x 8-5/8" (21.9cm)
Water depth from rim	5-1/2" (14cm)
Seat post hole centers	5-1/2" (14cm)

## INSTALLATION NOTES

Install this product according to the installation guide.



## PRODUCT DIAGRAM