

## Features

- 36-inch minimum base cabinet width.
- 18-gauge stainless steel.
- Top-mount or under-mount.
- Large/medium bowls.
- Smart Divide® lowered divider.
- Three faucet holes with one accessory hole to the right.
- Includes left bottom bowl rack.
- Includes installation hardware.
- Includes SilentShield® sound-absorption technology.
- 33" (838 mm) x 22" (559 mm).

## Optional Accessories

- K-6429 Utility Rack
- K-6434 Saddle Utility Rack
- K-6647 Sink Rack
- K-6667 Wood Cutting Board
- K-8801 Sink Strainer
- 1177161 Installation Clip Kit

## Components

Product includes:

- K-6646 Sink Rack
- 1130570 Hardware Kit, Self-Rimming

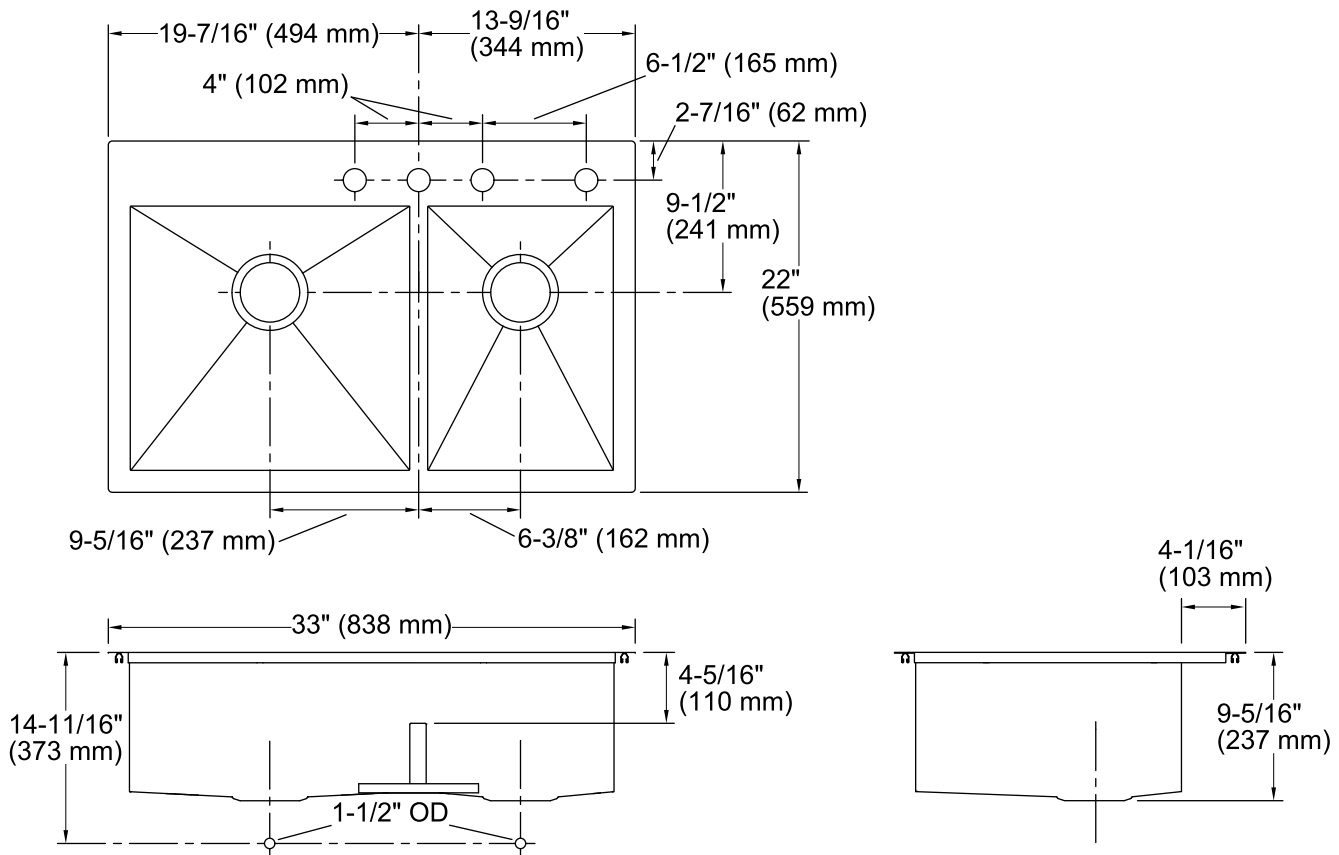


## Codes/Standards

ASME A112.19.3/CSA B45.4

## Lifetime Limited Warranty for KOHLER® Stainless Steel Sinks

See website for detailed warranty information.



### Technical Information

All product dimensions are nominal.

Bowl configuration:	Offset
Installation:	Top-mount, Under-mount
Bowl area (Left)	Length: 17-1/2" (445 mm) Width: 16-9/16" (421 mm) Bowl depth: 9" (229 mm) Water depth: 4-11/16" (119 mm)
Bowl area (Right)	Length: 11-5/8" (295 mm) Width: 16-9/16" (421 mm) Bowl depth: 9" (229 mm) Water depth: 4-11/16" (119 mm)
Number of deck holes:	4
Faucet hole(s):	1-7/16" (37 mm)
Drain hole:	3-5/8" (92 mm)
Template:	1130823-7, required, included

### Notes

Install this product according to the installation instructions.

Allow 3/4" (19 mm) clearance beyond the back of the bowl for the wood cutting board (optional accessory).