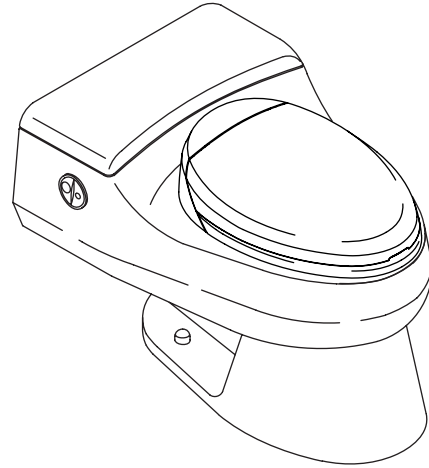


Features

- Power Lite® operating system (see electrical service requirements)
- Includes Twin Touch™ dual flush selector to select either 1 gal (3.8 L) flush or 1.4 gal (5.3 L) flush
- Continuously heated water with 2 positionable spray wands
- The spray wands feature adjustable water pressure, temperature, oscillate and pulsate functions
- Air blower and heated seat with adjustable temperature settings
- Automatic deodorization and night light
- Remote control with two programmable presets
- Energy save function
- Anti-microbial materials used
- Quick-release design
- 12" (30.5 cm) x 10" (25.4 cm) water area
- 30" (76.2 cm) x 19-1/2" (49.5 cm) x 21-1/2" (54.6 cm)

POWER LITE® TOILET WITH BIDET FUNCTIONALITY K-3607



Codes/Standards Applicable

Specified model meets or exceeds the following:

- ASME A112.19.2
- UL/cUL
- IAPMO/cUPC
- ASME A112.4.2
- CSA B45.0
- CSA B45.1
- Energy Policy Act of 1992

Colors/Finishes

- 0: White
- Other: Refer to Price Book for additional colors/finishes

Accessories

- CP: Polished Chrome
- PB: Vibrant® Polished Brass
- Other: Refer to Price Book for additional colors/finishes

Specified Model

Model	Description	Colors/Finishes	
K-3607	Elongated bowl toilet	<input type="checkbox"/> 0	<input type="checkbox"/> Other_____
Recommended Accessories			
K-7637	3/8" NPT angle supply with stop	<input type="checkbox"/> CP	<input type="checkbox"/> Other_____
Optional Accessories			
K-9433	Twin Touch™ dual flush selector (non-CP)	<input type="checkbox"/> PB	<input type="checkbox"/> Other_____

Product Specification

The toilet shall be 30" (76.2 cm) in length, 19-1/2" (49.5 cm) in width and 21-1/2" (54.6 cm) in height. Toilet shall have a 12" (30.5 cm) rough-in. Toilet shall have a 12" (30.5 cm) x 10" (25.4 cm) water area. Toilet shall feature the Power Lite® operating system and Twin Touch™ dual flush selector to select either 1 gal (3.8 L) flush or 1.4 gal (5.3 L) flush. Toilet shall feature continuously heated water and two positionable spray wands with adjustable water pressure, temperature, oscillate and pulsate functions. Toilet shall have automatic deodorization and night light. Toilet shall have a heated seat with adjustable temperature settings. Bidet seat shall have a remote control with two programmable user presets, energy save function, anti-microbial materials in the seat and nozzles and a quick-release design for ease of cleaning. Toilet shall be Kohler Model K-3607-_____.

SAN RAPHAEL™

Technical Information

Fixture:	
Configuration	one-piece, elongated
Water per flush	1 gal (3.8 L) / 1.4 gal (5.3 L)
Passageway	2-1/8" (5.4 cm)
Water depth from rim	5-7/8" (14.9 cm)
Water area	12" (30.5 cm) x 10" (25.4 cm)
Seat post hole centers	5-1/2" (14 cm)
Pump	120 VAC, 8.5 A, 60 Hz
Minimum static pressure required	15 psi (103.4 kPa)

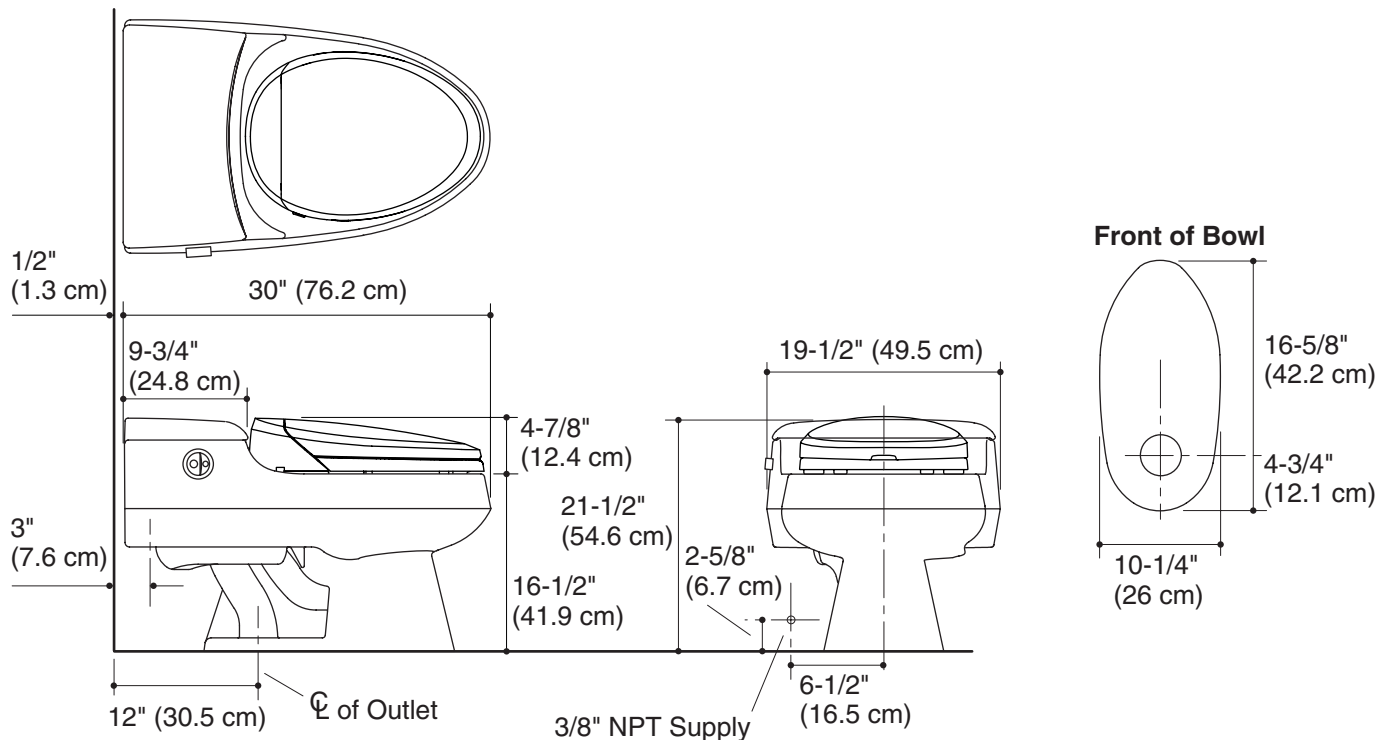
Included components:	
Tank cover	1055954
Bolt cap accessory pack	1013092
Toilet seat	4744
Twin Touch™ dual flush selector	81996
Tank accessory pack	84301
Pump	84153

Required Electrical Service

Dedicated circuit required, protected with Class A Ground-Fault Circuit-Interrupter (GFCI):	
Receptacle	120 VAC, 15 A, 60 Hz

Installation Notes

Install this product according to the installation guide.



Product Diagram

SAN RAPHAEL™ POWER LITE® TOILET WITH BIDET FUNCTIONALITY