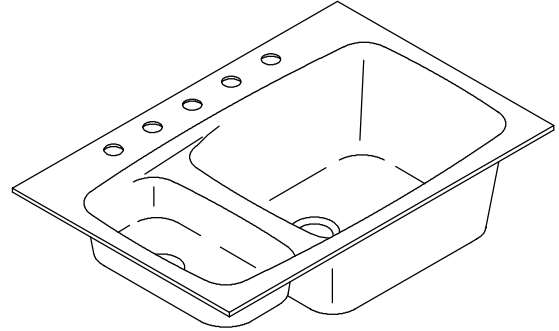


#### FEATURES

- 33" (83.8cm) x 22" (55.9cm)
- Cast iron
- Acid resistant enamel finish
- Tile-in
- Double (high/low) compartment
- 5-hole (K-5877-5), 4-hole (K-5877-4) drilling



#### CODES/STANDARDS APPLICABLE

Specified model meets or exceeds the following:

- ASME/ANSI A112.19.1M
- IAPMO/UPC
- Canadian Standards Association (CSA)
- State of Massachusetts

#### COLORS/FINISHES

- 0 White
- Other Refer to Fixtures Price Book for additional colors

#### Accessories:

- CP Polished Chrome
- 0 White
- NA None Applicable
- Other Refer to Price Book for additional colors

#### SPECIFIED MODEL:

Model	Description	Colors/Finishes	
K-5877-5	5-hole sink	<input type="checkbox"/> 0 White	<input type="checkbox"/> Other _____
K-5877-4	4-hole sink	<input type="checkbox"/> 0 White	<input type="checkbox"/> Other _____

Recommended Accessories			
K-9000	Trap		<input type="checkbox"/> CP
Optional Accessories			
K-6011	Bottom basin rack	<input type="checkbox"/> 0 White	<input type="checkbox"/> Other _____
K-6507	Hardwood cutting board		<input type="checkbox"/> NA
K-6511	Wire rinse basket	<input type="checkbox"/> 0 White	<input type="checkbox"/> Other _____
K-8801	Duostrainer® sink strainer	<input type="checkbox"/> CP	<input type="checkbox"/> Other _____

#### PRODUCT SPECIFICATION:

The tile-in sink shall be 33" (83.8cm) in length, and 22" (55.9cm) in width. Sink shall be made of cast iron with acid resistant enamel finish. Sink shall be double (high/low) compartment. Sink shall be 5-hole (K-5877-5), or 4-hole (K-5877-4) drilled. Sink shall be Kohler Model K-5877-\_\_\_\_\_.

## PRODUCT INFORMATION

Fixture*:	basin area	water depth
Sink	19" (48.3cm) x 17" (43.2cm)	8-3/8" (21.3cm)
Disposal	9" (22.9cm) x 16" (40.6cm)	4-3/4" (12.1cm)
Outlet	3-7/8" (9.8cm) D.	
Faucet and spout holes	1-3/8" (3.5cm) D.	

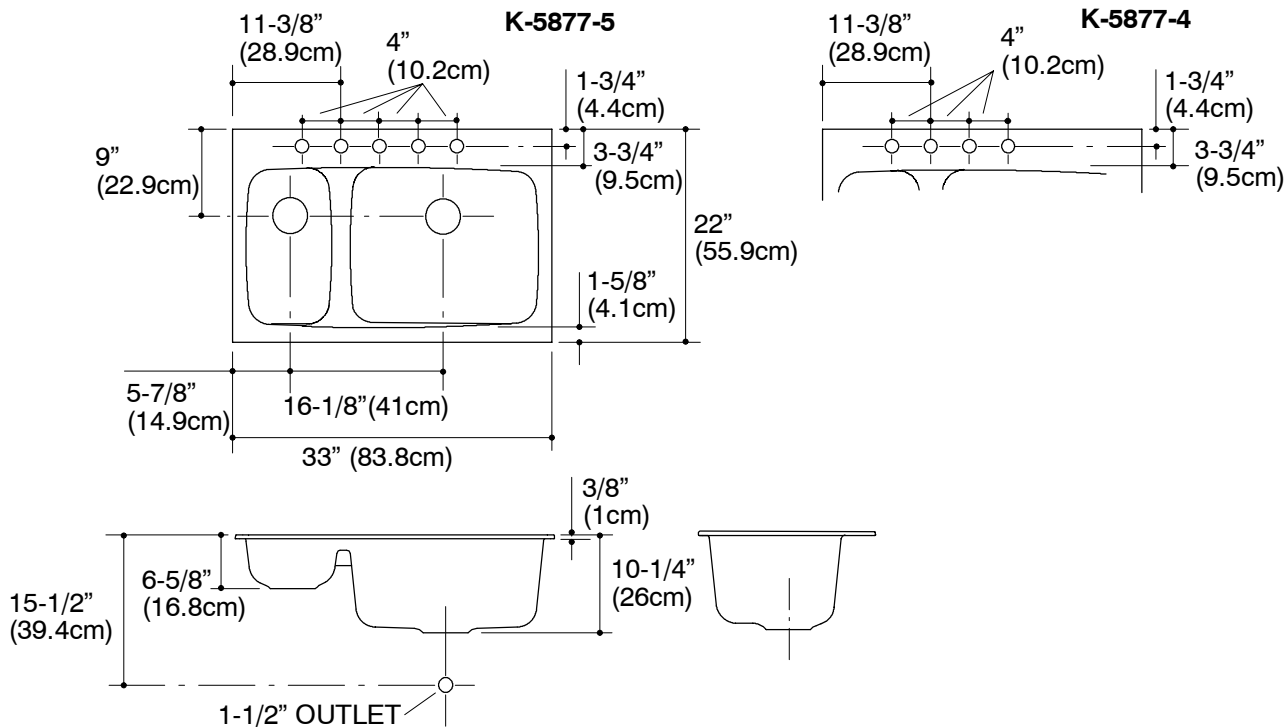
\* Approximate measurements for comparison only.

## INSTALLATION NOTES

Install this product according to the installation guide.

For disposal unit, consult supplier for roughing-in measurements.

Cutout is 31-7/8" (81cm) x 20-3/4" (52.7cm) with 1-1/2" radius (3.8cm) corners.



## PRODUCT DIAGRAM