

Bakersfield™ | K-5832-5U

31" undermount single-bowl kitchen sink

Features

- 33" (838 mm) minimum base cabinet width
- Single bowl
- 8" (203 mm) depth
- Five oversized faucet holes
- Oversized holes allow for easy installation of faucets and accessories
- Sink drain with strainer sold separately



Sustainability



Available Colors/Finishes

Color tiles intended for reference only.

0 White



Codes/Standards

ASME A112.19.1/CSA B45.2

Technical Information

All product dimensions are nominal.

Number of Deck Holes:	5
Faucet Hole(s) Size:	2-3/8" (60 mm)
Center(s):	8" (203 mm)
Drain Hole Diameter:	3-5/8" (92 mm)
Minimum Base Cabinet Width:	33" (838 mm)
Basin Configuration:	Single Bowl
Basin Length:	27" (686 mm)
Basin Width:	15" (381 mm)
Basin Depth:	8" (203 mm)

Material

- KOHLER® enameled cast iron
-

Recommended Products/Accessories

K-6517 Stainless steel sink rack, 25" x 12-3/4"

1411886 Undermount Kit 23"

K-23726 Drain treatment

K-11352 Disposal flange with stopper

K-9000 Adjustable P-trap with tubing outlet, 1-1/2" x 1-1/2"

K-23725 Cast iron cleaner

K-8801 Sink drain and strainer with tailpiece

K-8799 Sink drain and strainer basket, less tailpiece

Warranty

See website for detailed warranty information.

KOHLER® Enameled Cast Iron Kitchen and Bathroom Sink Lifetime Limited Warranty

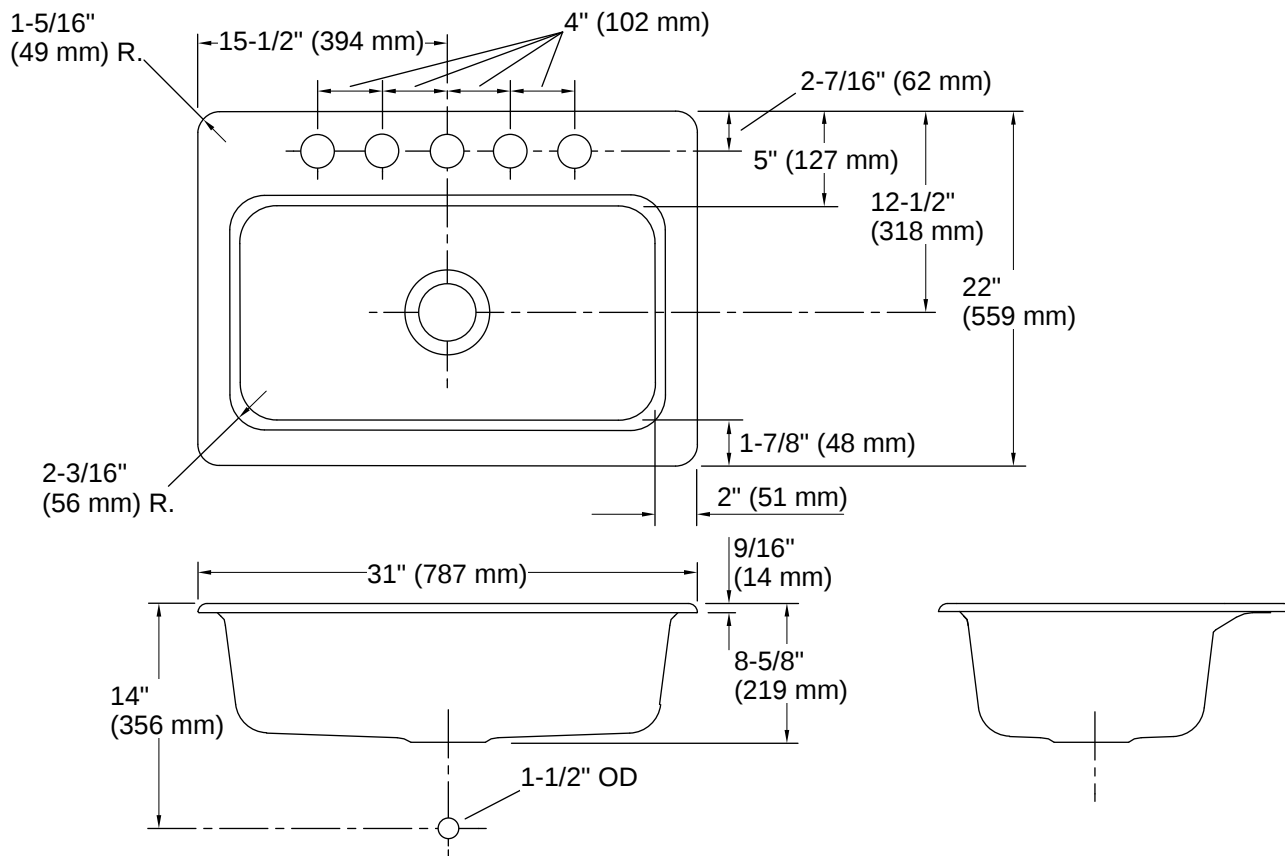


1-800-4KOHLER (1-800-456-4537)

Kohler Co. reserves the right to make revisions without notice to product specifications.

For the most current specification sheet, go to www.kohler.com USA or www.kohler.ca Canada.

4-15-2026 4:22 - US-CA



Installation

- Undermount installation kit not included
- Undermount

Installation Notes

Install this product according to the installation instructions.

Faucet holes in under-mount fixture are oversized at \varnothing 2-3/8" (60 mm). Drill faucet holes in counter according to fitting rough-in.

