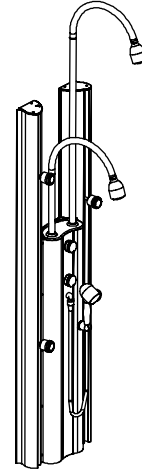


Features

- Wall-mount tower
- Made of anodized aluminum
- 1-piece
- 76" (193 cm) x 18-3/8" (46.7 cm) x 6" (15.2 cm)

**WALL-MOUNT TOWER
K-498**



Codes/Standards Applicable

Specified model meets or exceeds the following:

Colors/Finishes

- SS: Satin Silver
- SB: Satin Brass
- SL: Satin Nickel

Specified Model

Model	Description	Colors/Finishes		
K-498	Wall-mount tower	<input type="checkbox"/> SS	<input type="checkbox"/> SB	<input type="checkbox"/> SL

Product Specification

Wall-mount tower shall be 76" (193 cm) in length, 18-3/8" (46.7 cm) in width, and 6" (15.2 cm) in depth. The tower shall be made of anodized aluminum. Product shall be Kohler Model K-498-_____.

WATERHAVEN™

Technical Information

Applicable shower:	
Wall-mount tower	K-498
Weight	125 lbs (57 kg)

Installation Notes

Install this product according to the installation guide.

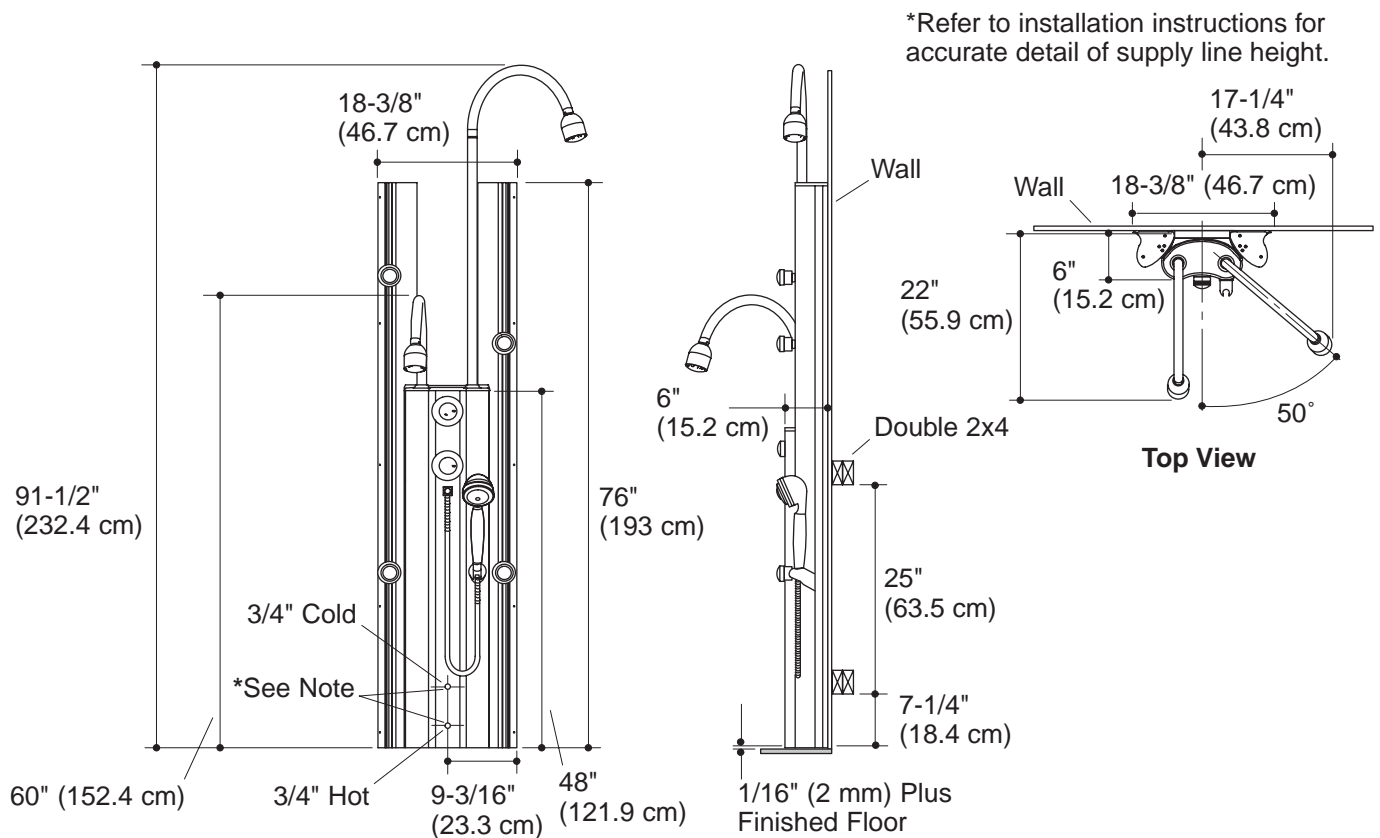
Install the tower to a flat surface.

This product requires 3/4" dedicated water supply lines.

A minimum of 45 psi (3.2 kg/cm²) running water pressure is recommended for optimum product performance.

Choose a water softener designed for high water flow installations.

Install a hot water system capable of providing hot water equivalent to, or greater than a First Hour Rating (FHR) of 80 gallons (302.8 L). A FHR of 80 gallons (302.8 L) is equivalent to a typical 80 gallon (302.8 L) dedicated, electric water heater.



Product Diagram