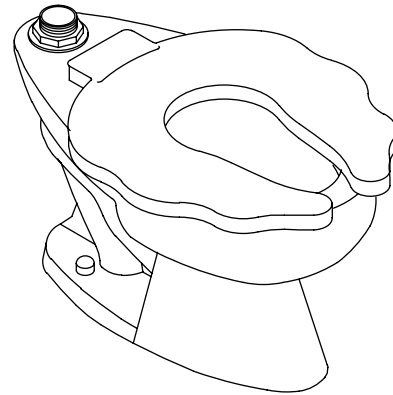


Features

- Vitreous china
- Includes K-4686 toilet seat with scalloped handhold locations for children
- Available with white, primary yellow, primary red, or primary blue colored seats
- 10" (25.4 cm) rough-in
- 1-1/2" top spud
- 1.28 gpf (4.8 lpf)
- 12-3/8" (31.4 cm) x 10-1/8" (25.7 cm) water area
- 26-7/8" (68.3 cm) x 12-7/8" (32.7 cm) x 12" (30.5 cm)



Codes/Standards Applicable

Specified model meets or exceeds the following:

- ADA-Children's Environment
- ICC/ANSI A117.1
- ASME A112.19.2/CSA B45.1

Colors/Finishes

- O: White toilet with white seat and hinges
- R: White toilet with red seat and green hinges
- B: White toilet with blue seat and green hinges
- Y: White toilet with yellow seat and green hinges

Specified Model

Model	Description	Colors/Finishes			
K-4384	Elongated bowl toilet	<input type="checkbox"/> O	<input type="checkbox"/> R	<input type="checkbox"/> B	<input type="checkbox"/> Y
Recommended Accessories					
21401	Floor bolts (pair)				

Product Specification

The elongated bowl shall be made of vitreous china. Bowl shall be 26-7/8" (68.3 cm) in length, 12-7/8" (32.7 cm) in width, and 12" (30.5 cm) in height with a 12-3/8" (31.4 cm) by 10-1/8" (25.7 cm) water area. Bowl shall be 10" (25.4 cm) rough-in with a 1-1/2" top spud. Bowl shall be 1.28 gpf (4.8 lpf). Bowl shall include K-4686 toilet seat with scalloped handhold locations for children. Bowl shall have a choice of white, primary yellow, primary red or primary blue colored seat. Bowl shall be Kohler Model K-4384-_____.

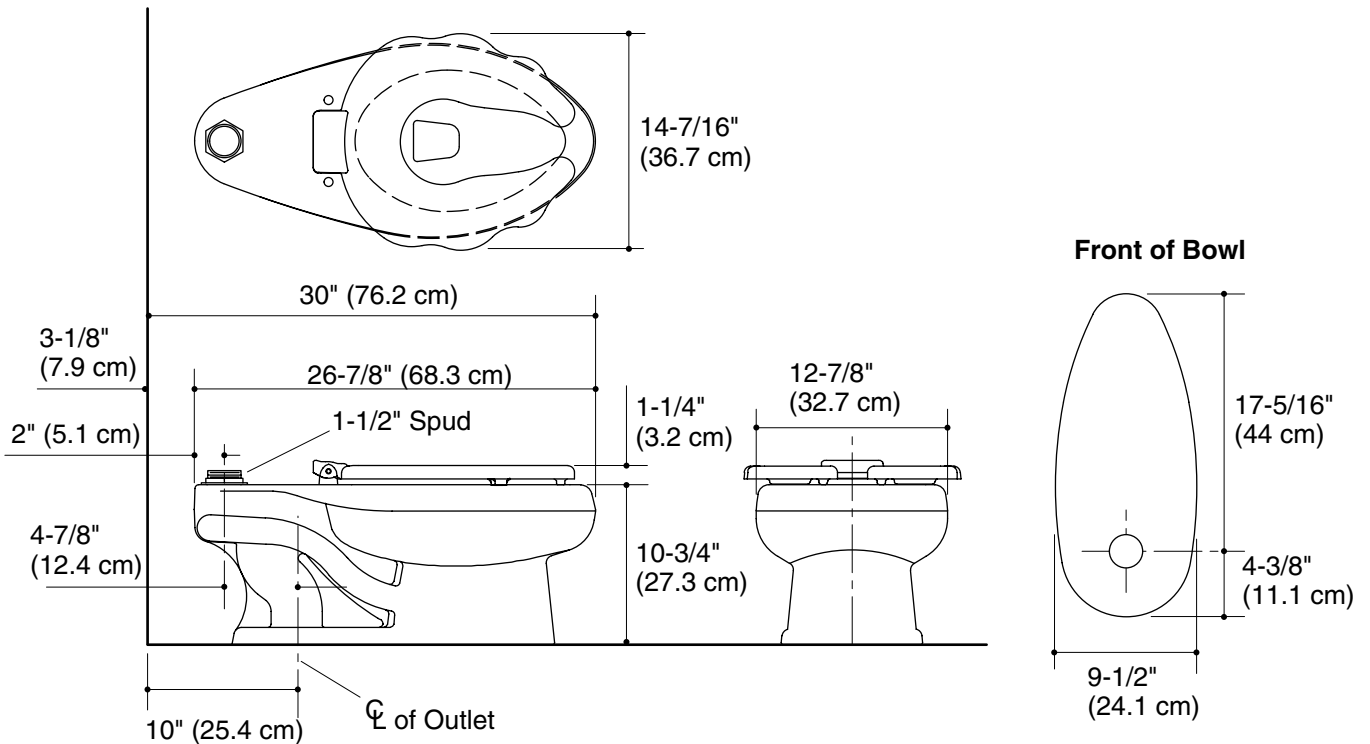
PRIMARY™

Technical Information

Fixture:	
Configuration	Top spud, elongated
Water per flush	1.28 gpf (4.8 lpf)*
Spud size	1-1/2"
Passageway	2-1/8" (5.4 cm)
Water area	12-3/8" (31.4 cm) x 10-1/8" (25.7 cm)
Water depth from rim	4-1/4" (10.8 cm)
Seat post hole centers	5-1/2" (14 cm)
* Designed to flush with 1.28 gpf (4.8 lpf) of water when installed with a 1.28 gpf (4.8 lpf) valve OR 1.6 gal (6 L) of water when installed with a 1.6 gpf (6 lpf) valve.	
Included components:	
Spud	18357
Seat	K-4686-A
Bolt cap accessory pack	1013092

Installation Notes

Install this product according to the installation guide. Refer to manufacturer and local codes for flush valve requirements.



Product Diagram