

Features

- Vitreous china.
- Elongated bowl.
- 1-1/2" top spud.
- 10" (254 mm) or 12" (305 mm) rough-in.
- 2-1/4" (57 mm) passageway.
- 11-3/8" (289 mm) x 10-3/8" (264 mm) water area.
- 1.6 gpf (6 lpf).
- Includes 4 bolt holes in base.
- 26" (660 mm) x 14-1/2" (368 mm) x 17-1/2" (445 mm).

Optional Accessories

- K-13516 Manual 1.6 GPF WC Flushometer
- K-10674-SV WAVE DC 1.6 GPF WC Flushometer
- K-10957-SV Tripoint™ DC 1.6 GPF WC Flushometer
- K-4654-A Commercial Toilet Seat
- K-4670-C Commercial Toilet Seat
- K-4670-CA Commercial Toilet Seat
- K-10674 Wave DC 1.6 GPF WC Flushometer
- K-10957 Tripoint™ DC 1.6 GPF WC Flushometer

Components

Additional included component/s: Spud, and Bolt cap accessory pack.



ADA

CSA B651

OBC

Codes/Standards

ASME A112.19.2/CSA B45.1
DOE - Energy Policy Act 1992
ADA
ICC/ANSI A117.1
CSA B651
OBC

KOHLER® One-Year Limited Warranty

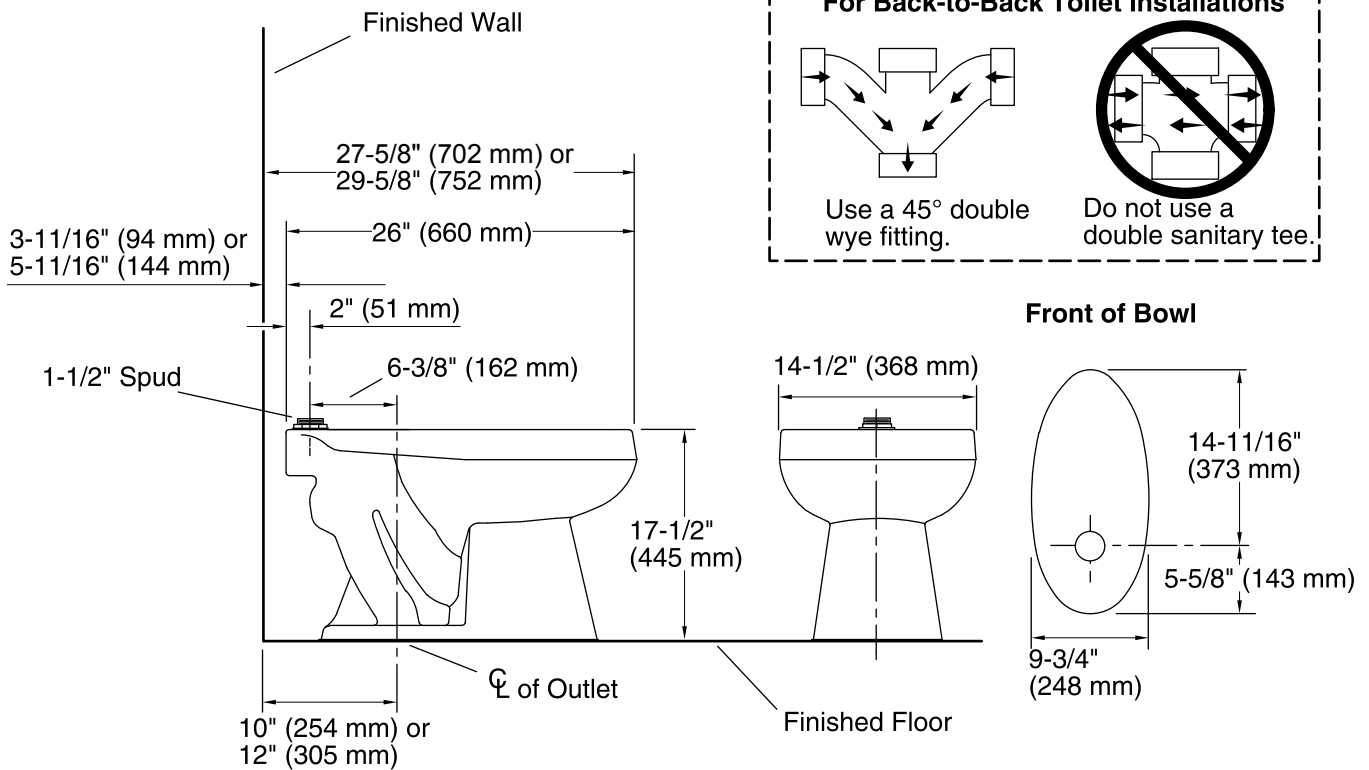
See website for detailed warranty information.

Available Color/Finishes

Color tiles intended for reference only.

Color	Code	Description
-------	------	-------------

	0	White
--	---	-------



Technical Information

All product dimensions are nominal.

Toilet type:	Flushometer, Floor-mount
Waste Outlet:	Floor
Bowl shape:	Elongated front
Spud size:	1-1/2", Inlet, Top
Trap passageway:	2-1/4" (57 mm)
Water surface size:	11-3/8" x 10-3/8" (289 mm x 264 mm)
Rim to water surface:	6" (152 mm)
Rough-in:	10" or 12" (254 or 305 mm)
Seat-mounting holes:	5-1/2" (140 mm)

Fixture Supply Requirements

Min static pressure:	35 psi (241.3 kPa)
Max static pressure:	80 psi (551.6 kPa)
Min flowing pressure:	25 psi (172.4 kPa)
Min flow rate:	25 gpm (94.6 lpm)

Notes

Install this product according to the installation instructions.

Refer to manufacturer and local codes for flushometer requirements: for 12" (305 mm) rough-in, sweat extension nipple is required.

For back-to-back toilet installations: Use only a 45° double wye fitting.

ADA, OBC, CSA B651 compliant when installed to the specific requirements of these regulations.

Plumbing Codes require elongated toilets and elongated, open-front toilet seats in public bathrooms.

Accessibility standards require controls to be located on the open side of the toilet.