

Features

- Vitreous china.
- Elongated bowl.
- Comfort Height®.
- 1-1/2" top spud.
- Less seat and supply.
- 4" (102 mm) rough-in.
- 2-1/8" (54 mm) glazed trapway.
- 1.28 gpf (4.8 lpf) or 1.6 gpf (6 lpf) depending on flushometer specified.
- Floor-mount rear outlet flushometer bowl.
- 31-1/2" (800 mm) x 14-7/8" (378 mm) x 17" (432 mm).

Optional Accessories

- K-13516 Manual 1.6 GPF WC Flushometer
- K-13517 Manual 1.28 GPF WC Flushometer
- K-10673-SV WAVE DC 1.28 GPF WC Flushometer
- K-10956-SV Tripoint™ DC 1.28 GPF WC Flushometer
- K-10957-SV Tripoint™ DC 1.6 GPF WC Flushometer
- K-4654-A Commercial Toilet Seat
- K-4670-CA Commercial Toilet Seat
- K-4731-C Commercial Heavy-duty Toilet Seat
- K-4731-SC Commercial Heavy-duty Toilet Seat
- K-10673 WAVE Touchless Toilet 1.28 gpf Flushometer
- K-10956 Tripoint™ DC 1.28 GPF WC Flushometer

Components

Additional included component/s: Spud, Floor screws and bolt caps, and Bolt cap accessory pack.



ADA

CSA B651

OBC

Codes/Standards

ASME A112.19.2/CSA B45.1
DOE - Energy Policy Act 1992
EPA WaterSense®
ADA
ICC/ANSI A117.1
CSA B651
OBC

KOHLER® One-Year Limited Warranty

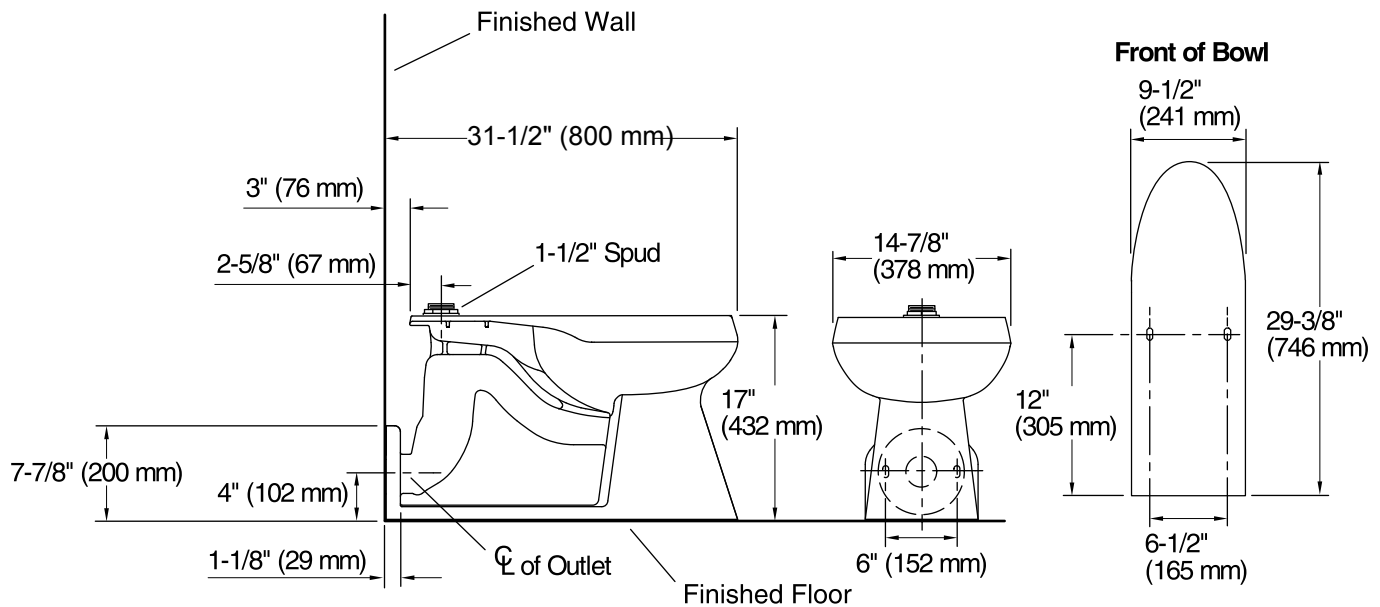
See website for detailed warranty information.

Available Color/Finishes

Color tiles intended for reference only.

Color	Code	Description
-------	------	-------------

	0	White
--	---	-------



Technical Information

All product dimensions are nominal.

Toilet type:	Flushometer, Floor-mount
Waste Outlet:	Wall
Bowl shape:	Elongated front
Flush type:	Siphon jet
Spud size:	1-1/2", Inlet, Top
Trap passageway:	2-1/8" (54 mm)
Water surface size:	12" x 10" (305 mm x 254 mm)
Rim to water surface:	5-7/8" (149 mm)
Rough-in:	4" (102 mm)
Seat-mounting holes:	5-1/2" (140 mm)

Notes

Install this product according to the installation instructions.

For back-to-back installations: Connect the toilet to the vertical stack using a: double fixture fitting, double combination wye and 1/8 bends, or double wye and 1/8 bends.

ADA, OBC, CSA B651 compliant when installed to the specific requirements of these regulations.

Plumbing Codes require elongated toilets and elongated, open-front toilet seats in public bathrooms.

Accessibility standards require controls to be located on the open side of the toilet.