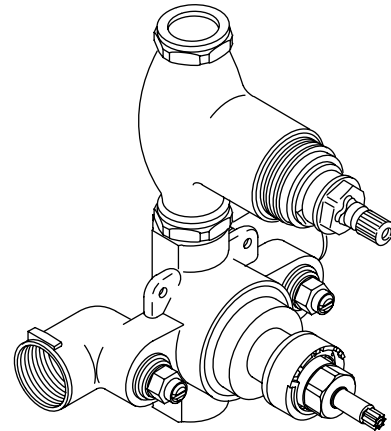


**3/4" THERMOSTATIC MIXER
K-401-K**

Features

- Brass construction
- Wall-mount
- Two-handle control
- Brass valve body
- High-temperature limit stop for added safety
- High-flow valving
- 3/4" (1.9 cm) quarter-turn washerless ceramic disc valves
- Temperature-balancing mechanism
- Scald hazard prevention
- Volume control
- Screwdriver stops
- Crossflow prevention
- 3/4" NPT connections



Codes/Standards Applicable

Specified model meets or exceeds the following:

- ASME A112.18.1
- ASSE 1016
- CSA B125
- IAPMO/UPC

Colors/Finishes

- NA: None applicable

Specified Model

Model	Description	Colors/Finishes
K-401-K	3/4" Thermostatic Mixer with volume control (for shower-only installations)	<input type="checkbox"/> NA
Optional Accessories		
K-403-K	3/4" Volume Control Valve (for use on bath and/or shower outlets)	<input type="checkbox"/> NA
K-9663	Twin Ell (for use with diverter bath spouts only)	<input type="checkbox"/> NA

Product Specification

Two-handle wall-mount 3/4" thermostatic mixer with volume control shall be of brass construction. Product shall feature 3/4" quarter-turn washerless ceramic disc valve, assuring positive handle stop positioning. The valve shall feature high-flow valving, high-temperature limit stop, brass valve body, temperature-balancing mechanism, and scald hazard prevention mechanism. The valve shall also feature screwdriver stops, crossflow prevention, and 3/4" NPT connections. Thermostatic mixer with volume control for shower-only installations shall be Kohler Model K-401-K-NA.

MASTERSHOWER™

Installation Notes

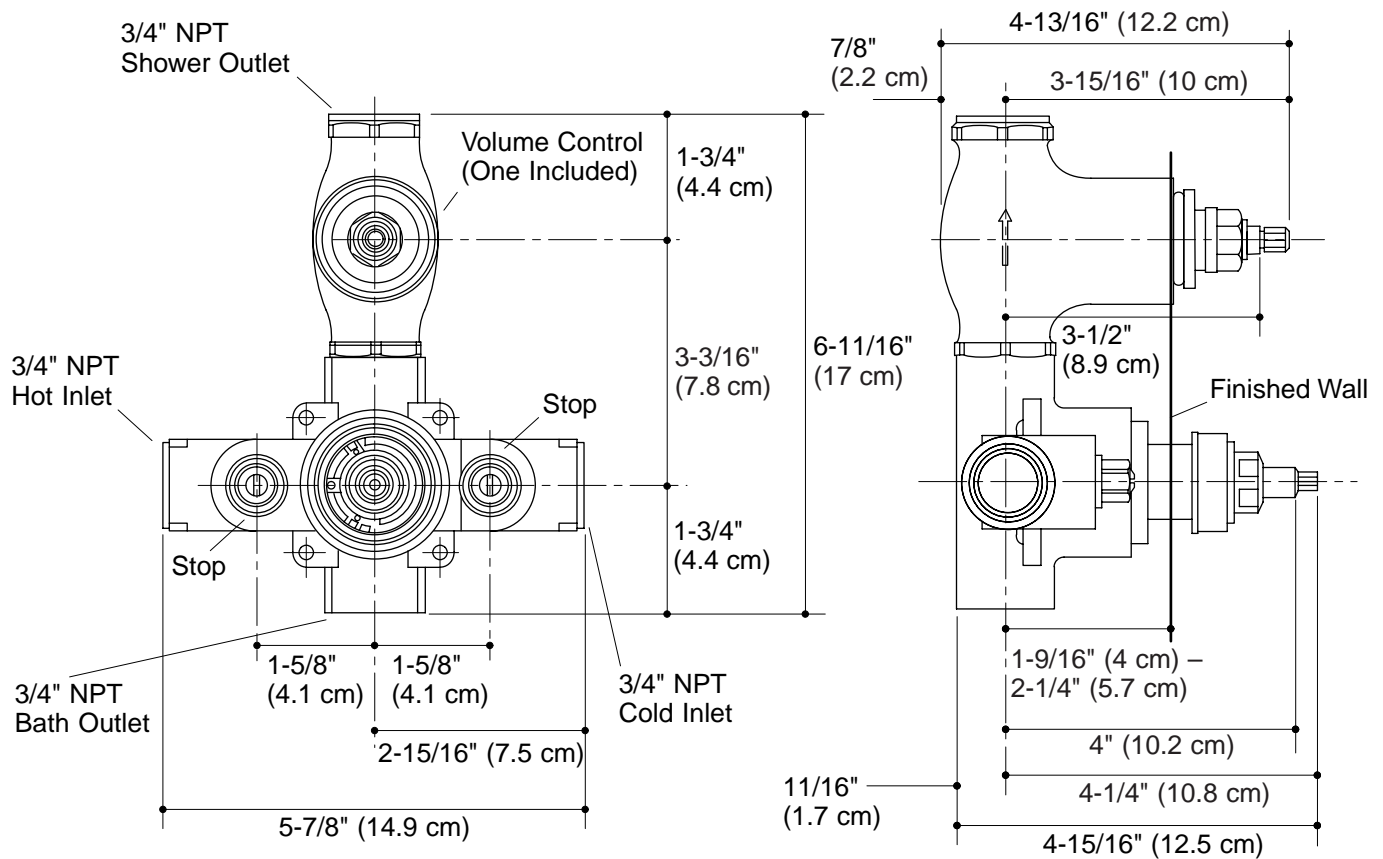
Install this product according to the installation guide.

The K-401-K thermostatic mixer valve includes one volume control for shower-only installations. For bath outlets, an additional K-403-K volume control valve is required for the bath and/or shower outlets.

For bath-only or shower-only installations, a 3/4" NPT plug is required for the unused outlet.

For installations with diverter bath spout, a K-9663 twin ell is required between the valve and the spout.

NOTE: All shower functions should be piped from the top outlet. The bottom outlet should be used only as a bath filler. If the shower functions are piped from both the top and the bottom outlets and are run at the same time, unacceptable temperature differences will result.



Product Diagram