

COMFORT HEIGHT™ TOILET K-3651

ADA

Features

- Vitreous china
- 12" (30.5 cm) rough-in
- 1.6 gpf (6 lpf)
- Combination toilet
- Includes polished chrome trip lever
- Ingenium® flushing system
- Less seat and supply
- Elongated bowl
- 16-1/2" (41.9 cm) high bowl is ADA compliant when an open-front seat is installed
- 9-7/8" (25.1 cm) x 8-5/8" (21.9 cm) water area
- 30" (76.2 cm) x 19-1/4" (48.9 cm) x 31" (78.7 cm)



Codes/Standards Applicable

Specified model meets or exceeds the following:

- ADA
- ASME A112.19.2
- Energy Policy Act of 1992
- IAPMO/cUPC
- CSA B45.0
- CSA B45.1
- ICC/ANSI A117.1

Colors/Finishes

- 0: White
- Other: Refer to Price Book for additional colors/finishes

Accessories

- 0: White
- CP: Polished Chrome
- PB: Vibrant® Polished Brass
- Other: Refer to Price Book for additional colors/finishes

Specified Model

Model	Description	Trip Lever	Colors/Finishes	
K-3651	Comfort Height™ toilet with elongated bowl	left-hand	<input type="checkbox"/> 0	<input type="checkbox"/> Other_____
Recommended Accessories				
K-4636	Cachet™ Quiet-Close™ elongated toilet seat	<input type="checkbox"/> 0		<input type="checkbox"/> Other_____
K-4650	Lustra™ elongated open-front toilet seat for ADA compliance	<input type="checkbox"/> 0		<input type="checkbox"/> Other_____
K-7637	Angle supply with stop – 3/8" NPT		<input type="checkbox"/> CP	<input type="checkbox"/> PB <input type="checkbox"/> Other_____
Optional Accessories				
K-9461	Trip lever (non-CP)		<input type="checkbox"/> PB	<input type="checkbox"/> Other_____

Product Specification

The elongated combination toilet shall be made of vitreous china. The toilet shall be 30" (76.2 cm) in length, 19-1/4" (48.9 cm) in width, and 31" (78.7 cm) in height with a 9-7/8" (25.1 cm) x 8-5/8" (21.9 cm) water area. The toilet shall be 12" (30.5 cm) rough-in. The toilet shall be 1.6 gpf (6 lpf) with Ingenium® flushing system. The toilet shall have a 16-1/2" (41.9 cm) Comfort Height™ high bowl, which is ADA compliant when an open-front seat is installed. The toilet shall include polished chrome trip lever. The toilet shall be less seat and supply. The toilet shall be Kohler Model K-3651-_____.

LEIGHTON™

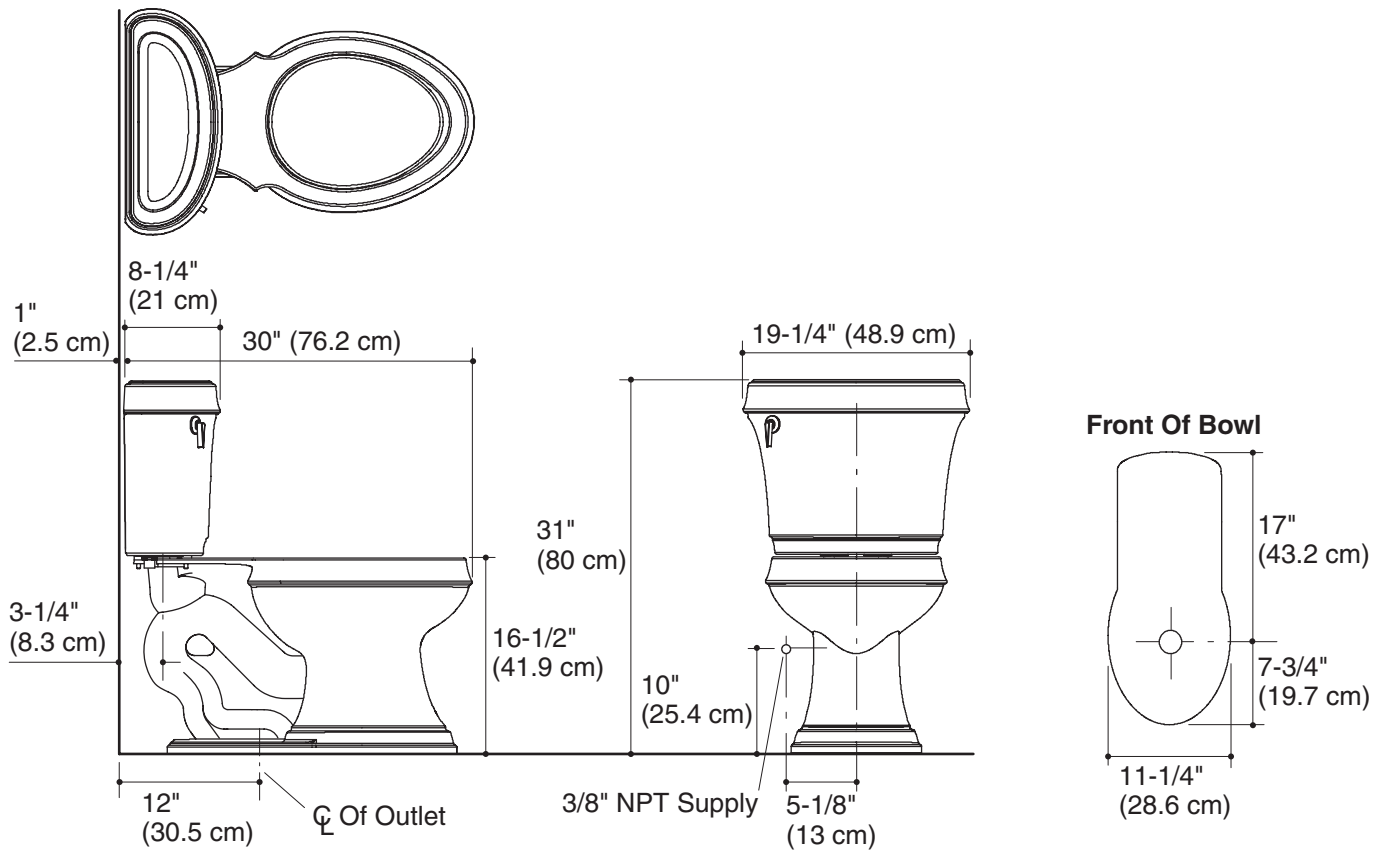
Technical Information

Fixture:	
Configuration	two-piece, elongated
Water per flush	1.6 gal (6 L)
Passageway	2" (5.1 cm)
Water area	9-7/8" (25.1 cm) x 8-5/8" (21.9 cm)
Water depth from rim	5-1/2" (14 cm)
Seat post hole centers	5-1/2" (14 cm)

Included components:	
Bowl	K-4314
Tank	K-4628
Tank cover	1016946
Trip lever	1022562
Bolt cap accessory pack	1013092

Installation Notes

Install this product according to the installation guide.



Product Diagram