

Features

- Vitreous china.
- Required minimum 12" (305 mm) rough-in.
- One-piece.
- Elongated bowl.
- Available with KOHLER Artist Editions designs.
- Dual flush flushing system.
- High efficiency 1.6 gpf (6.0 lpf) or 0.8 gpf (3.0 lpf).
- 2-1/8" (54 mm) fully glazed trapway.
- Skirted bowl design.
- Includes Saile seat and cover [K-4748] and polished chrome top-mount flush actuator.
- Less supply.
- 28-1/2" (724 mm) x 14-1/4" (362 mm) x 28-3/4" (730 mm).

Optional Accessories

- K-4108 Toilet Seat with Cleansing Functionality
- K-4636 Toilet Seat
- K-4652 Toilet Seat
- K-4659 Toilet Seat
- K-4684 Toilet Seat
- K-4688 Toilet Seat
- K-4709 Toilet Seat with Cleansing Functionality
- K-4713 Toilet Seat
- K-4732 Toilet Seat
- K-4733 Toilet Seat
- K-4737 Toilet Seat with Cleansing Functionality
- K-4748 Toilet Seat
- K-4774 Toilet Seat
- K-4814 Toilet Seat
- K-4888 Elongated Toilet Seat
- K-5588 Elongated Toilet Seat
- K-5638 Elongated Toilet Seat
- K-7637 Angle Supply with Stop (single)
- K-9384 Dual-flush Actuator
- K-4761-BN Toilet Seat
- K-4761-CP Toilet Seat

Components

Product includes:

K-4748 Toilet Seat

Additional included component/s: Tank cover, Dual flush push buttons, Installation kit, Installation template, and Tank accessory pack.



Codes/Standards

ASME A112.19.2/CSA B45.1
ASME A112.19.14
DOE - Energy Policy Act 1992
EPA WaterSense®




KOHLER® One-Year Limited Warranty

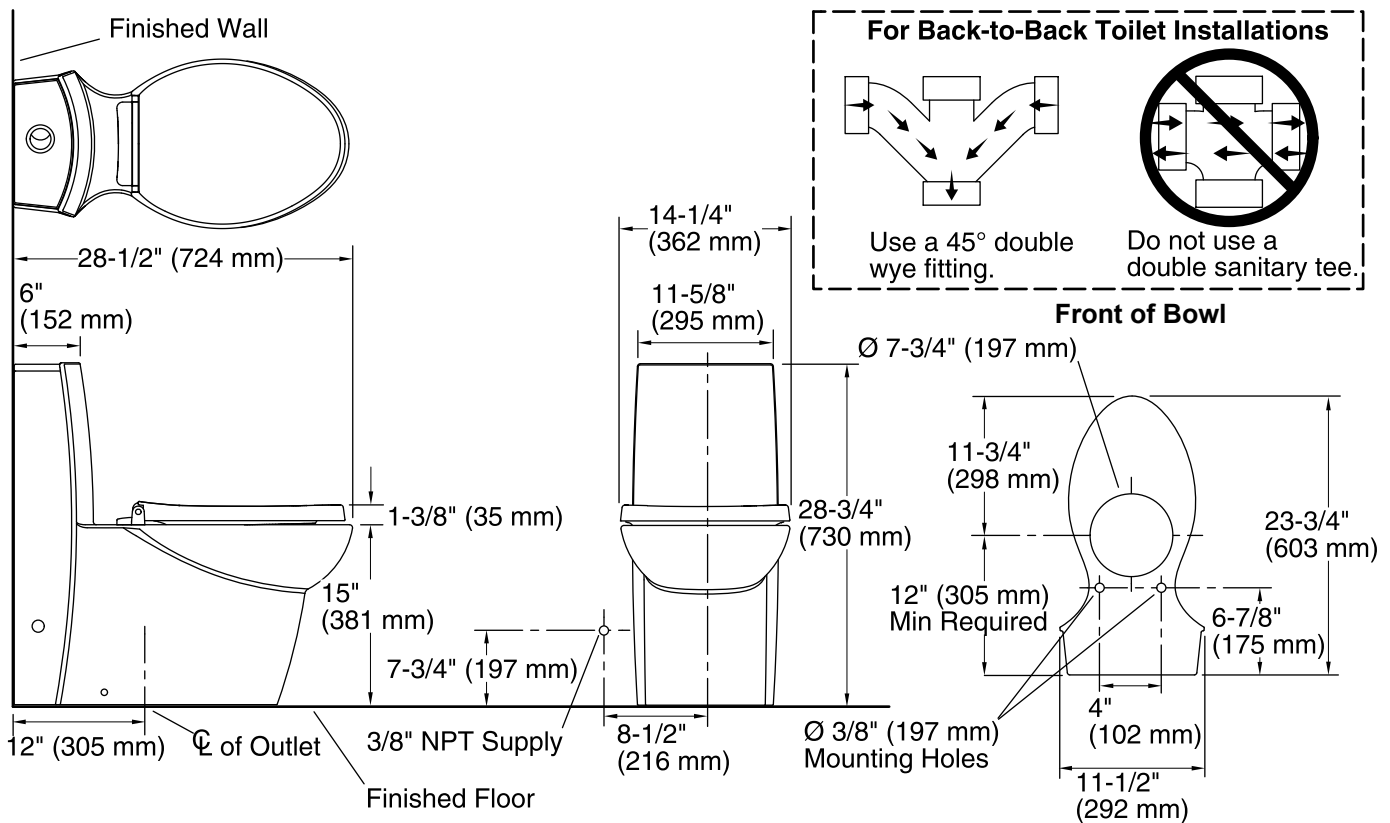
See website for detailed warranty information.

Available Color/Finishes

Color tiles intended for reference only.

| Color | Code | Description |
|-------|------|-------------|
|-------|------|-------------|

| | | |
|--|----|---------|
|  | 0 | White |
|  | 96 | Biscuit |
|  | 47 | Almond |



Technical Information

All product dimensions are nominal.

| | |
|----------------------|-----------------------------------|
| Toilet type: | One-piece, Wall-mount |
| Bowl shape: | Compact Elongated front |
| Seat hinge type: | Quick-Release™, Quick-Attach® |
| Trap passageway: | 2-1/8" (54 mm) |
| Water Consumption | |
| Full: | 1.6 gpf (6 lpf) |
| Reduced: | 0.8 gpf (3 lpf) |
| Water surface size: | 4-1/8" x 5-1/8" (105 mm x 130 mm) |
| Rough-in: | 12" (305 mm) |
| Seat-mounting holes: | 5-1/2" (140 mm) |

Notes

Install this product according to the installation instructions.

For back-to-back toilet installations: Use only a 45° double wye fitting.