

### Features

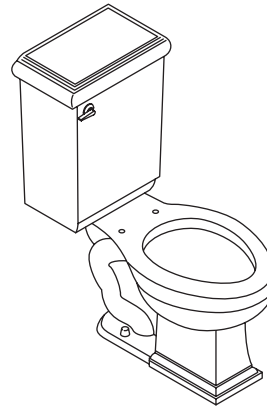
- Vitreous china
- Elongated bowl
- 12" (30.5 cm) rough-in
- 1.6 gpf (6 lpf) or 1.28 gpf (4.8 lpf)
- Class Five™ flushing system
- Less seat and supply
- With Insuliner® insulated tank lining
- ADA compliant when an open-front seat is installed
- 11" (28.0 cm) x 8-1/2" (21.6 cm) water area
- With classic design (K-3542) or stately design (K-3548)
- 30-3/8" (77.2 cm) x 18-9/16" (47.2 cm) x 31-1/2" (80 cm) (K-3542)
- 30-3/8" (77.2 cm) x 19-5/8" (49.8 cm) x 31-1/8" (79.1 cm) (K-3548)

### COMFORT HEIGHT™ TOILETS

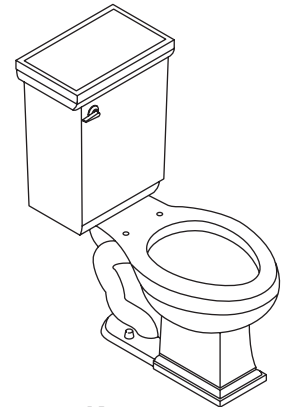
# K-3542

ALSO K-3548

ADA



K-3542



K-3548

### Codes/Standards Applicable

Specified model meets or exceeds the following:

- ADA
- ASME A112.19.2
- CSA B45
- Energy Policy Act of 1992
- IAPMO/cUPC

### Colors/Finishes

- 0: White
- Other: Refer to Price Book for additional colors/finishes

### Accessories

- 0: White
- CP: Polished Chrome
- PB: Vibrant® Polished Brass
- Other: Refer to Price Book for additional colors/finishes

### Specified Model

Model	Description	Colors/Finishes	
K-3542	Elongated bowl toilet with Insuliner® and classic design	<input type="checkbox"/> 0	<input type="checkbox"/> Other _____
K-3548	Elongated bowl toilet with Insuliner® and stately design	<input type="checkbox"/> 0	<input type="checkbox"/> Other _____

Recommended Accessories			
K-4650	Lustra™ open-front elongated toilet seat - for ADA compliance	<input type="checkbox"/> 0	<input type="checkbox"/> Other _____
K-4684	Glenbury™ seat with cover	<input type="checkbox"/> 0	<input type="checkbox"/> Other _____
K-4752	Triko™ seat with cover	<input type="checkbox"/> 0	<input type="checkbox"/> Other _____
K-7637	3/8" NPT angle supply with stop	<input type="checkbox"/> CP	<input type="checkbox"/> PB <input type="checkbox"/> Other _____

### Product Specification

The elongated toilet shall be 12" (30.5 cm) rough-in and made of vitreous china. Shall be classic design (K-3542) or stately design (K-3548). The toilet shall be rated at 1.6 gallons (6 L) per flush or 1.28 gallons (4.8 L) per flush, with Class Five™ flushing system. The toilet shall have 11" (28.0 cm) x 8-1/2" (21.6 cm) water area. The toilet shall be ADA compliant when an open-front elongated seat is installed. K-3548 will be 30-3/8" (77.2 cm) x 19-5/8" (49.8 cm) x 31-1/8" (79.1 cm). K-3542 will be 30-3/8" (77.2 cm) x 18-9/16" (47.2 cm) x 31-1/2" (80 cm). The toilet shall be less seat and supply. The toilet shall have Insuliner® insulated tank lining. The toilet shall be Kohler Model K-\_\_\_\_\_-\_\_\_\_\_.

# MEMOIRS® CLASS FIVE™

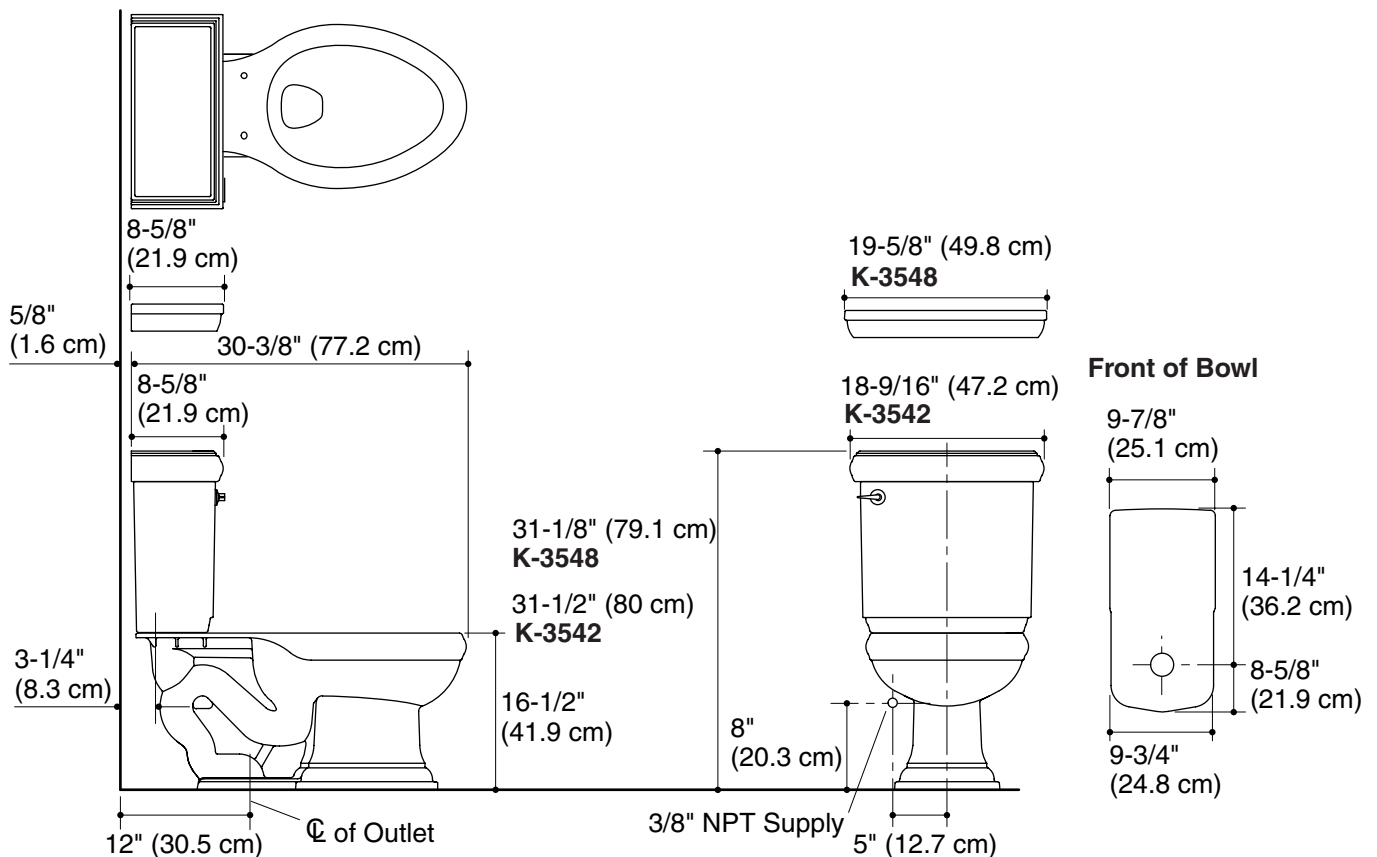
## Technical Information

Fixture:	
Configuration	Two-piece, elongated
Water per flush	1.6 gal (6 L) or 1.28 gal (4.8 L)
Passageway	2-1/8" (5.4 cm)
Water area	11" (28 cm) x 8-1/2" (21.6 cm)
Water depth from rim	5-7/8" (14.9 cm)
Seat post hole centers	5-1/2" (14 cm)

Included components:	
Bowl	K-4294
Tank with classic design <b>OR</b>	K-4485
Tank with stately design	K-4473
Tank cover with classic design <b>OR</b>	1052859
Tank cover with stately design	1052860
Trip lever	K-9439

## Installation Notes

Install this product according to the installation guide.



**Product Diagram**