

FEATURES

- 12" (30.5cm) rough-in
- Elongated bowl
- Combination toilet
- Vitreous china
- 11-1/8" (28.3cm) x 9-1/2" (24.1cm) water area
- 2" (5cm) glazed trapway
- Includes polished chrome lift knob and flange
- Less seat and supply
- 1.6 gpf (6 lpf)
- Ingenium™ Flushing System



CODES/STANDARDS APPLICABLE

Specified model meets or exceeds the following:

- ASME/ANSI A112.19.2M
- ASME/ANSI A112.19.6M
- Energy Policy Act of 1992 (EPACT)
- IAPMO/UPC
- CSA International B45

COLORS/FINISHES

- 0 White
- Other Refer to Fixtures Price Book for additional colors

Accessories:

- CP Polished Chrome
- PB Polished Brass
- Other Refer to Price Book for additional colors

SPECIFIED MODEL:

Model	Description	Colors/ Finishes	Colors/Finishes
K-3464	Elongated bowl toilet	<input type="checkbox"/> 0 White	<input type="checkbox"/> Other_____
Recommended Accessories			
K-4652	Lustra™ elongated closed front seat with cover	<input type="checkbox"/> 0 White	<input type="checkbox"/> Other_____
K-4664	Brevia™ elongated closed front seat with cover	<input type="checkbox"/> 0 White	<input type="checkbox"/> Other_____
K-7637	3/8" (1cm) angle supply with stop	<input type="checkbox"/> CP <input type="checkbox"/> PB	<input type="checkbox"/> Other_____
Optional Accessory			
K-9446	Flush Actuator	<input type="checkbox"/> PB	<input type="checkbox"/> Other_____

PRODUCT SPECIFICATION:

The elongated toilet combination shall be 12" (30.5cm) rough-in. Toilet shall be made of vitreous china. Toilet shall have 11-1/8" (28.3cm) x 9-1/2" (24.1cm) water area. Toilet shall have 2" (5cm) glazed trapway. Toilet shall include polished chrome lift knob and flange. Toilet shall be less seat and supply. Toilet shall have Ingenium™ flushing system. Toilet shall be 1.6 gpf (6 lpf). Toilet shall be Kohler Model K-3464-_____.

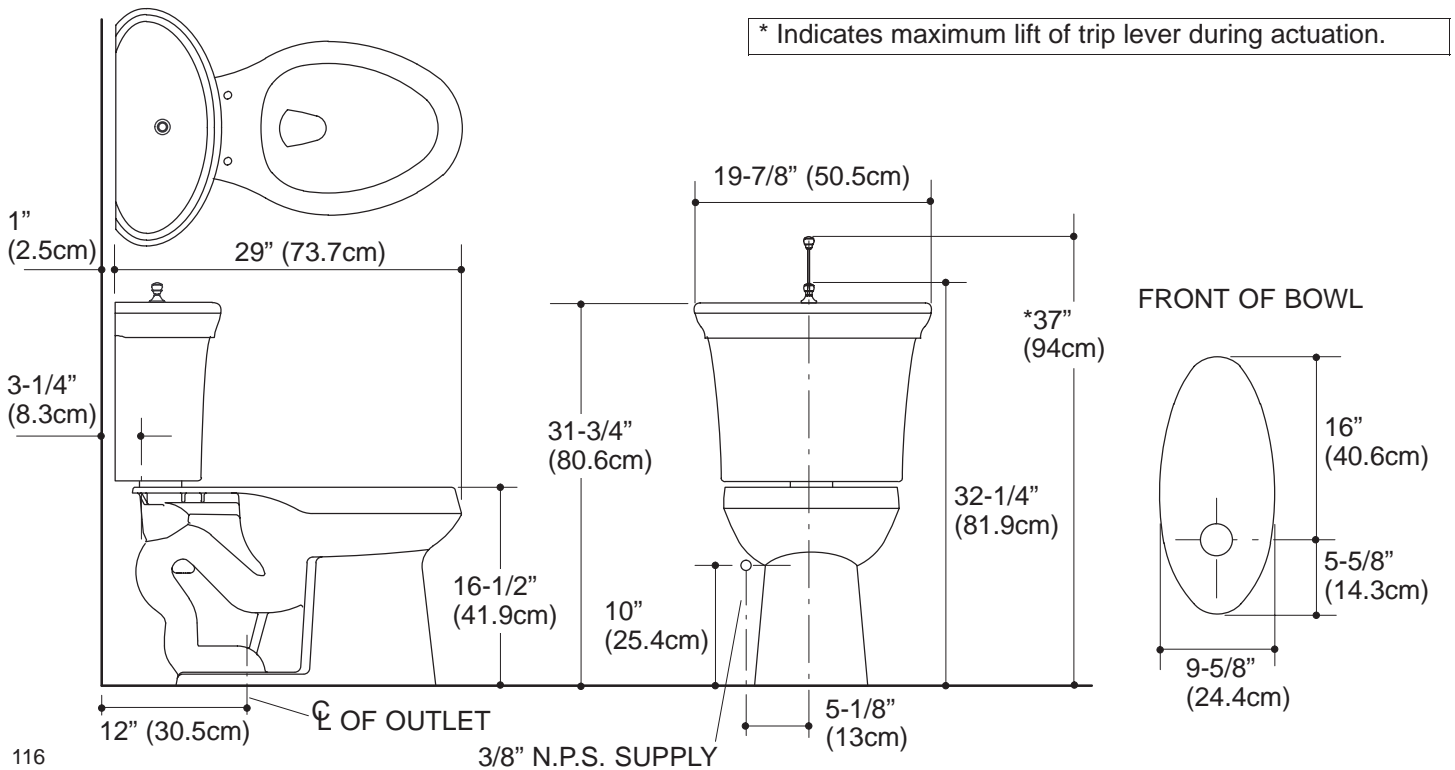
PRODUCT INFORMATION

Fixture:	
Configuration	2-piece, elongated
Water per flush	1.6 gallons (6L)
Passageway	2" (5cm)
Water area	11-1/8" (28.3cm) x 9-1/2" (24.1cm)
Water depth from rim	6" (15.2cm)
Seat post hole centers	5-1/2" (14cm)
Included Components:	
Bowl	K-4274
Tank	K-4608
Tank cover	1001739
Bolt cap accessory pack	52048
Tank accessory pack	73062

INSTALLATION NOTES

Install this product according to the installation guide.

Fixture dimensions are nominal and conform to tolerances in ASME Standard A112.19.2M.



116

PRODUCT DIAGRAM