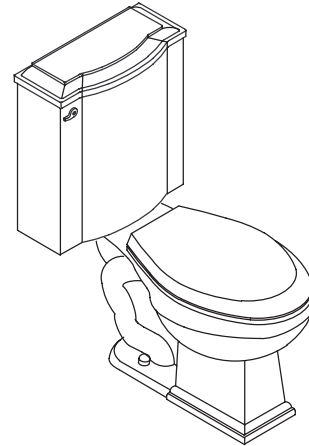


### FEATURES

- 12" (30.5cm) rough-in
- Vitreous china
- Elongated bowl
- 1.6 gpf (6 lpf)
- Ingenium™ flushing system
- 2" (5cm) glazed trapway
- 9" (22.9cm) x 8" (20.3cm) water area
- Includes polished chrome trip lever
- Combination toilet
- Less seat and supply



### CODES/STANDARDS APPLICABLE

Specified model meets or exceeds the following:

- ASME/ANSI A112.19.2M
- ASME/ANSI A112.19.6M
- Energy Policy Act of 1992 (EPACT)
- IAPMO/UPC

### COLORS/FINISHES

- 0 White
- Other Refer to Fixtures Price Book for additional colors

#### Accessories:

- 0 White
- CP Polished Chrome
- PB Polished Brass
- Other Refer to Faucets Price Book for additional finishes

### SPECIFIED MODEL:

Model	Description	Colors/Finishes	
K-3457	Elongated bowl toilet	<input type="checkbox"/> 0 White	<input type="checkbox"/> Other_____
<b>Recommended Accessories</b>			
K-4664	Brevia™ seat with cover	<input type="checkbox"/> 0 White	<input type="checkbox"/> Other_____
K-7637	Angle supply with stop	<input type="checkbox"/> CP <input type="checkbox"/> PB	<input type="checkbox"/> Other_____
<b>Optional Accessories</b>			
K-9439	Trip lever (non-CP)	<input type="checkbox"/> PB	<input type="checkbox"/> Other_____

### PRODUCT SPECIFICATION:

The elongated toilet combination shall be 12" (30.5cm) rough-in. Toilet shall be made of vitreous china. Toilet shall be 1.6 gpf (6 lpf) with Ingenium™ flushing system. Toilet shall have 2" (5cm) glazed trapway. Toilet shall have 9" (22.9cm) x 8" (20.3cm) water area. Toilet shall include polished chrome trip lever. Toilet shall be less seat and supply. Toilet shall be Kohler Model K-3457-\_\_\_\_\_.

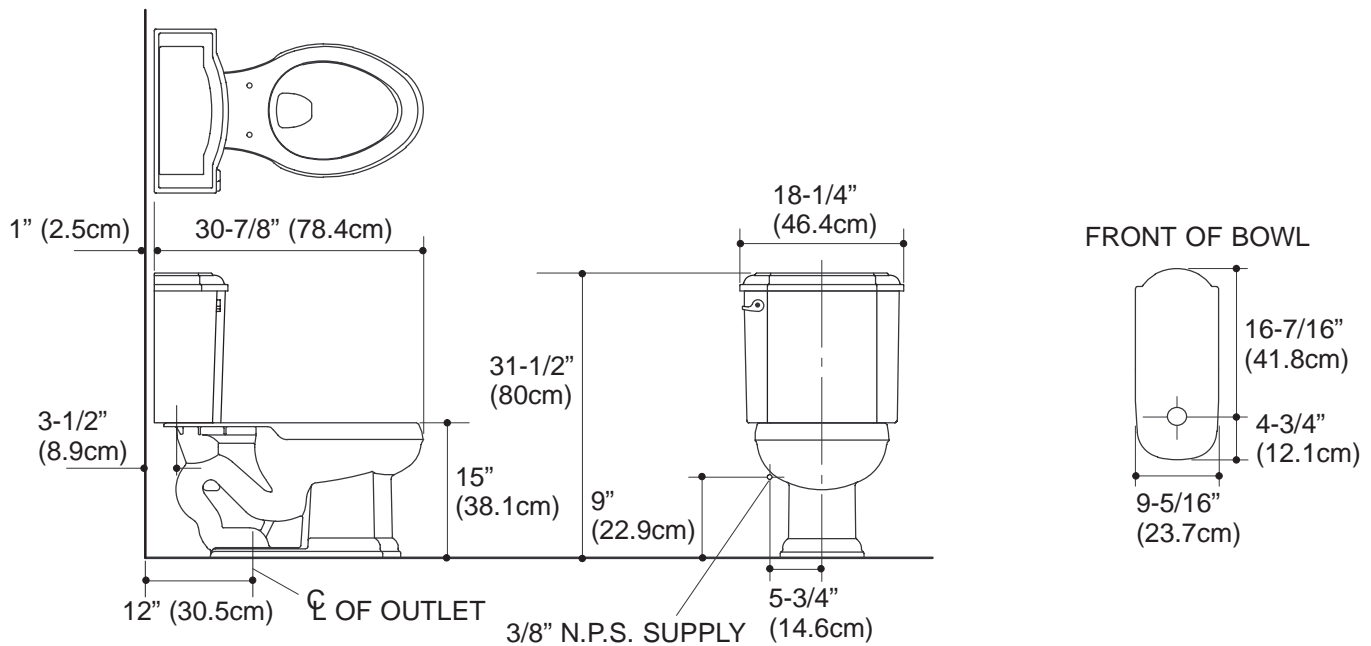
## PRODUCT INFORMATION

Fixture:	
Configuration	2-piece, elongated
Water per flush	1.6 gallons (6L)
Passageway	2" (5cm)
Water area	9" (22.9cm) x 8" (20.3cm)
Water depth from rim	6" (15.2cm)
Seat post hole centers	5-1/2" (14cm)
Included Components:	
Bowl	K-4269
Tank	K-4619
Tank cover	84652
Trip lever	85086
Tank accessory pack	73062
Bolt cap accessory pack	52048

## INSTALLATION NOTES

Install this product according to the installation guide.

Fixture dimensions are nominal and conform to tolerances in ASME Standard A112.19.2M.



364

## PRODUCT DIAGRAM