

Features

- Vitreous china
- 12" (30.5 cm) rough-in
- Ingenium® flushing system
- 2" (5.1 cm) glazed trapway
- Includes polished chrome trip lever
- Less seat and supply
- 1.6 gpf (6 lpf)
- Elongated bowl
- 16-1/2" (41.9 cm) high bowl is ADA compliant when an open front seat is installed
- Available with Insuliner® insulated tank lining (-U), tank cover locks (-T), or bedpan lugs (-L)
- 11-1/8" (28.3 cm) x 9-1/2" (24.1 cm) water area
- 29" (73.7 cm) x 19-5/8" (49.8 cm) x 30" (76.2 cm)

COMFORT HEIGHT™ COMBINATION ELONGATED TOILET K-3427

ADA



Codes/Standards Applicable

Specified model meets or exceeds the following:

- ADA
- ASME A112.19.2
- IAPMO/UPC
- CSA International
- CSA B45
- Energy Policy Act of 1992

Colors/Finishes

- 0: White
- Other: Refer to Price Book for additional colors/finishes

Accessories:

- CP: Polished Chrome
- PB: Polished Brass
- Other: Refer to Price Book for additional colors/finishes

Specified Model

Model	Description	Trip Lever	Colors/Finishes	
K-3427	Combination elongated toilet	left-hand	<input type="checkbox"/> 0	<input type="checkbox"/> Other_____
K-3427-RA	Combination elongated toilet	right-hand	<input type="checkbox"/> 0	<input type="checkbox"/> Other_____
K-3427-U	Insuliner insulated tank lining	left-hand	<input type="checkbox"/> 0	<input type="checkbox"/> Other_____
K-3427-UR	Insuliner insulated tank lining	right-hand	<input type="checkbox"/> 0	<input type="checkbox"/> Other_____
K-3427-UT	Insuliner insulated tank lining and tank cover locks	left-hand	<input type="checkbox"/> 0	<input type="checkbox"/> Other_____
K-3427-T	Tank cover locks	left-hand	<input type="checkbox"/> 0	<input type="checkbox"/> Other_____
K-3427-TR	Tank cover locks	right-hand	<input type="checkbox"/> 0	<input type="checkbox"/> Other_____
K-4274-L / K-4620	Bedpan lugs	left-hand	<input type="checkbox"/> 0	<input type="checkbox"/> Other_____
K-4274-L / K-4620-RA	Bedpan lugs	right-hand	<input type="checkbox"/> 0	<input type="checkbox"/> Other_____

Product Specification:

The combination toilet with elongated bowl shall be made of vitreous china. Toilet shall be 29" (73.7 cm) in length, 19-5/8" (49.8 cm) in width, and 30" (76.2 cm) in height with an 11-1/8" (28.3 cm) x 9-1/2" (24.1 cm) water area. Toilet shall feature a 12" (30.5 cm) rough-in, 2" (5.1 cm) glazed trapway, polished chrome trip lever, and 1.6 gpf (6 lpf) with Ingenium flushing system. Toilet shall feature a 16-1/2" (41.9 cm) high bowl which is ADA compliant when an open front seat is installed. Toilet shall be available with an Insuliner insulated tank lining (-U), tank cover locks (-T), or bedpan lugs (-L). Toilet shall be less seat and supply. Toilet shall be Kohler Model K-____-____-____ or K-4274-L-____/K-4620-____, or K-4274-L-____/K-4620-RA-____.

HIGHLINE®

Recommended Accessories

K-4650	Lustra™ elongated open front toilet seat – for ADA compliant installation	<input type="checkbox"/>	0	<input type="checkbox"/>	Other_____
K-4664	Brevia™ elongated closed front toilet seat	<input type="checkbox"/>	0	<input type="checkbox"/>	Other_____
K-7637	Angle supply with stop	<input type="checkbox"/>	CP	<input type="checkbox"/>	Other_____

Optional Accessories

K-9404-L	Left-hand trip lever – non-CP	<input type="checkbox"/>	PB	<input type="checkbox"/>	Other_____
K-9404-R	Right-hand trip lever – non-CP	<input type="checkbox"/>	PB	<input type="checkbox"/>	Other_____

Technical Information

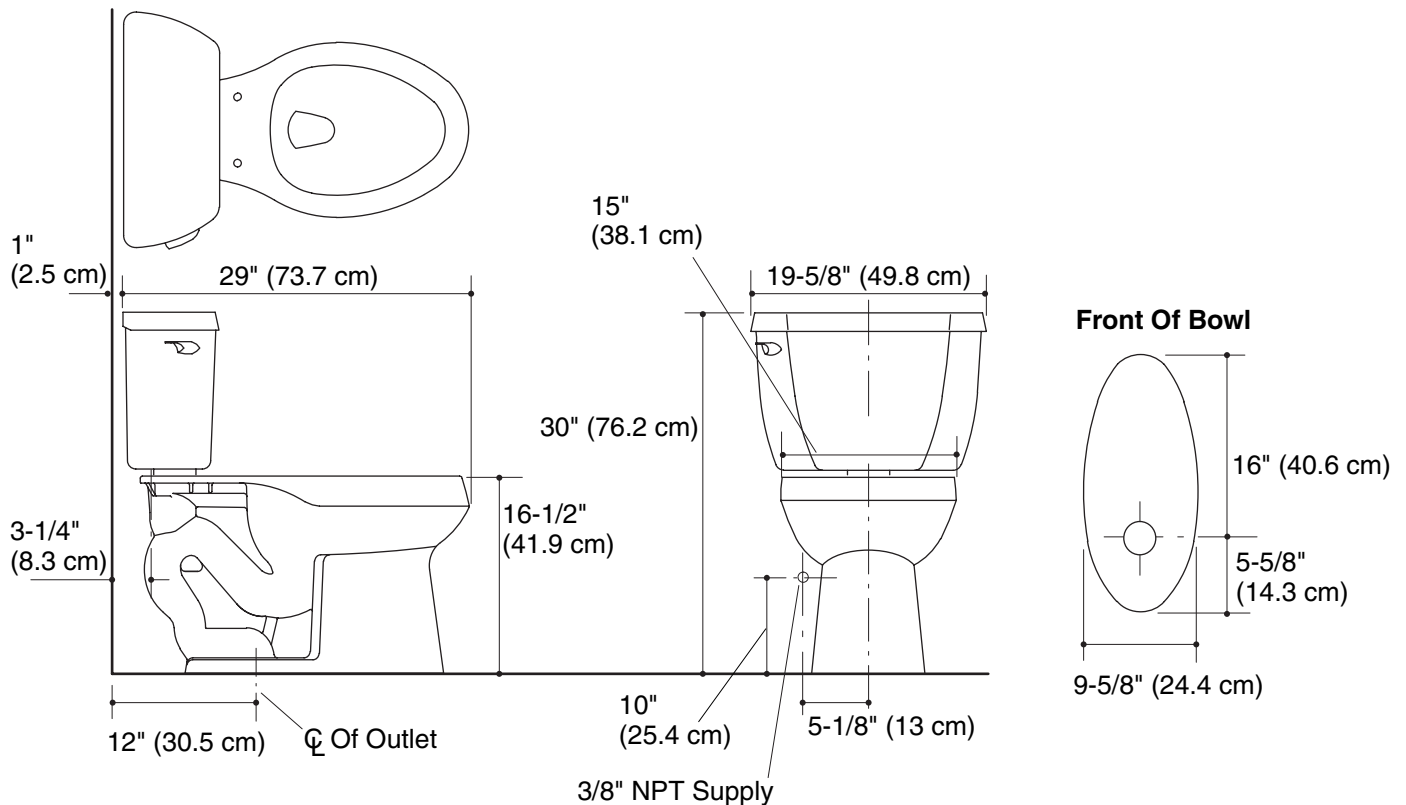
Fixture:	
Configuration	two-piece, elongated
Water per flush	1.6 gal (6 L)
Passageway	2" (5.1 cm)
Water area	11-1/8" (28.3 cm) x 9-1/2" (24.1 cm)
Water depth from rim	6" (15.2 cm)
Seat post hole centers	5-1/2" (14 cm)

Included components:

Bowl	– less bedpan lugs OR	K-4274
	– with bedpan lugs	K-4274-L
Tank	– left-hand trip lever OR	K-4620
	– right-hand trip lever	K-4620-RA
Tank cover		84591
Trip lever		K-9404

Installation Notes

Install this product according to the installation guide.



Product Diagram