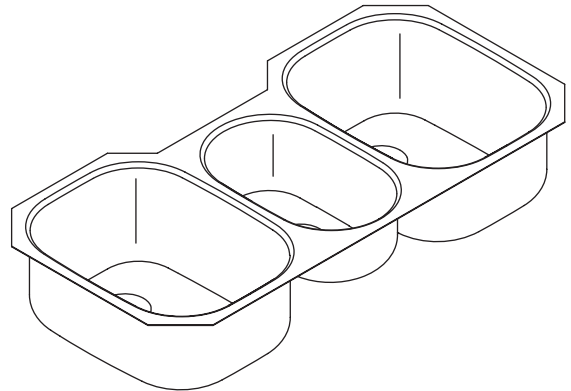


UNDERCOUNTER SINK K-3165

Features

- 18 gauge stainless steel
- Undercounter
- Includes installation hardware
- Rounded bowl(s)
- Triple compartment
- 39-3/8" (100 cm) x 17-7/8" (45.4 cm)
- 7-1/2" (19.1 cm) deep left and right basins, and 5-1/2" (14 cm) deep center basin



Codes/Standards Applicable

Specified model meets or exceeds the following:

- IAPMO/UPC
- ASME A112.19.3
- CSA B45

Colors/Finishes

- NA: None applicable

Accessories:

- CP: Polished Chrome
- 0: White
- Other: Refer to Price Book for additional colors/finishes
- NA: None applicable

Specified Model

Model	Description	Colors/Finishes
K-3165	Undercounter sink	<input type="checkbox"/> NA

Optional Accessories			
K-3278	Hardwood cutting board (for either large basin)	<input type="checkbox"/> NA	
K-3280	Wire rinse basket (for either large basin)	<input type="checkbox"/> 0 White	<input type="checkbox"/> Other_____
K-3291	Colander (for either large basin)	<input type="checkbox"/> 0 White	<input type="checkbox"/> Other_____
K-3292	Hardwood cutting board and colander set (for small disposal basin)	<input type="checkbox"/> 0 White	<input type="checkbox"/> Other_____
K-8801	Duostrainer® sink strainer	<input type="checkbox"/> CP	<input type="checkbox"/> Other_____

Product Specification:

The undercounter sink shall be 39-3/8" (100 cm) in length and 17-7/8" (45.4 cm) in width. Sink shall be made of 18 gauge stainless steel. Sink shall be triple compartment with rounded bowls. Sink shall have 7-1/2" (19.1 cm) deep left and right basins, and 5-1/2" (14 cm) deep center basin. Sink shall include installation hardware. Sink shall be Kohler Model K-3165-_____.

UNDERTONE™

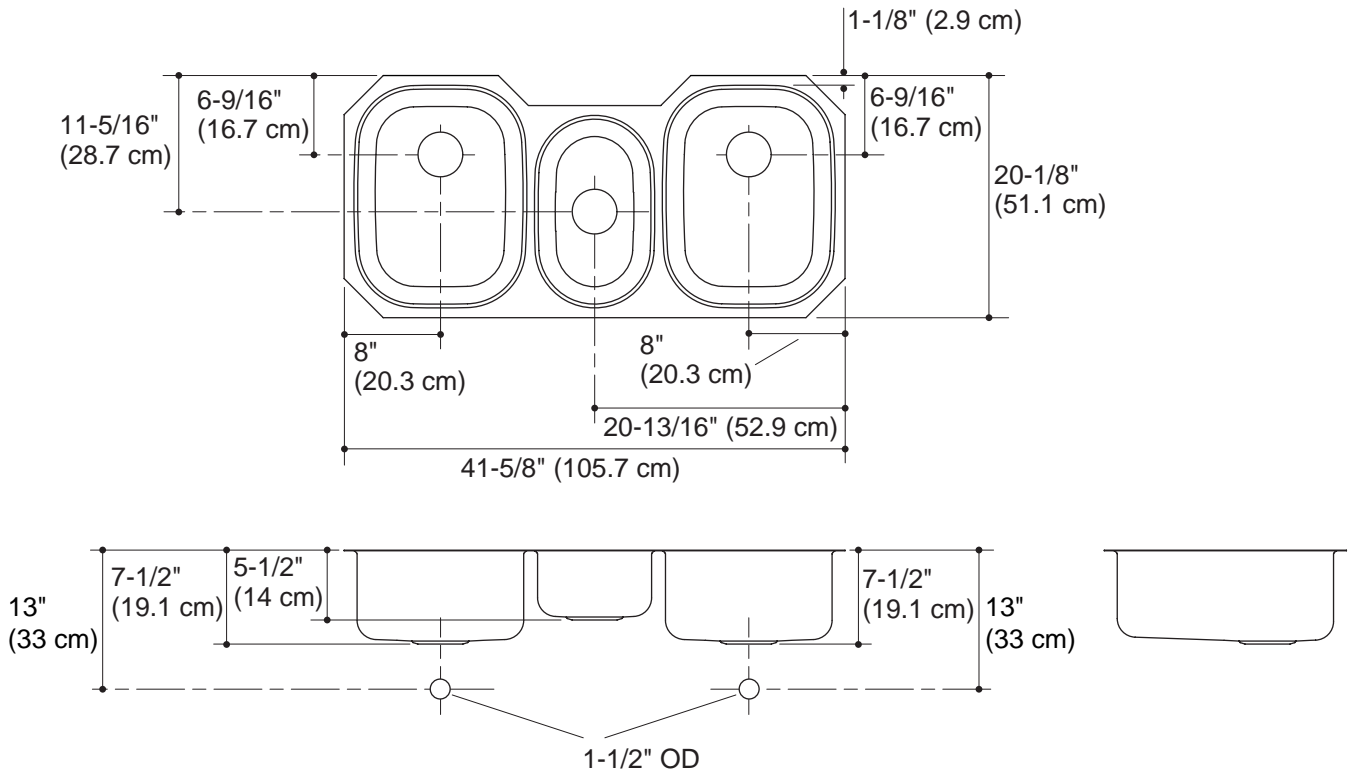
Technical Information

Fixture:*	basin area	water depth
Sinks, left and right	14" (35.6 cm) x 18" (45.7 cm)	7-1/2" (19.1 cm)
Disposal, center	9" (22.9 cm) x 15" (38.1 cm)	5-1/2" (14 cm)
Drain Hole	3-5/8" (9.2 cm) D.	
* Approximate measurements for comparison only.		

Included Components:	
Hardware kit (4 required)	91915
Cutout template	1047579-7

Installation Notes

Install this product according to the installation guide.



Product Diagram