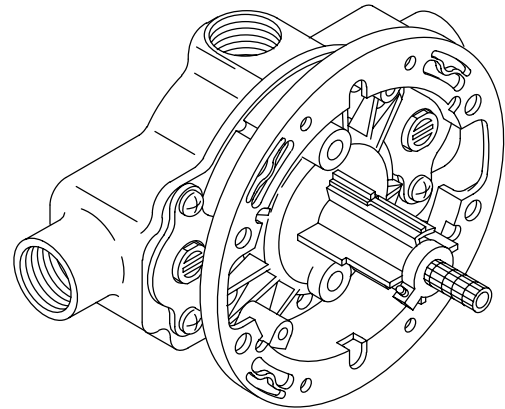


**PRESSURE-BALANCING VALVE
K-306-KS**

FEATURES

- Brass valve body
- HiFlow Rite-Temp pressure-balancing diaphragm design valve
- High-temperature limit stop
- Pressure-balancing mechanism of one-piece diaphragm cartridge design for ease of maintenance
- Mixing valve cycles from “cold” to “hot”
- Integral shut-off valve stops
- 3/4” N.P.T.
- Minimum operating pressure 15 p.s.i.



CODES/STANDARDS APPLICABLE

Specified model meets or exceeds the following:

- ASME/ANSI A112.18.1M
- ANSI/ASSE 1016

COLORS/FINISHES

- NA Not applicable

SPECIFIED MODEL:

Model	Description	
K-306-KS	HiFlow Rite-Temp Pressure-Balancing Valve	<input type="checkbox"/> NA

Optional Accessory				
88526	Thin wall installation kit	<input type="checkbox"/> CP	<input type="checkbox"/> PB	<input type="checkbox"/> Other_____

PRODUCT SPECIFICATION:

HiFlow Rite-Temp pressure-balancing single-control valve shall feature a brass valve body. The valve shall mix the water from the “off” position, through the “cold” to the “hot”, and includes a high-temperature limit stop. The pressure-balancing mechanism shall be of one-piece diaphragm cartridge design for ease of maintenance. Product shall feature integral shut-off valve stops. HiFlow Rite-Temp pressure-balancing valve shall be Kohler Model K-306-KS-NA.

HIFLOW RITE-TEMP™

PRODUCT INFORMATION

Minimum operating pressure 15 p.s.i.



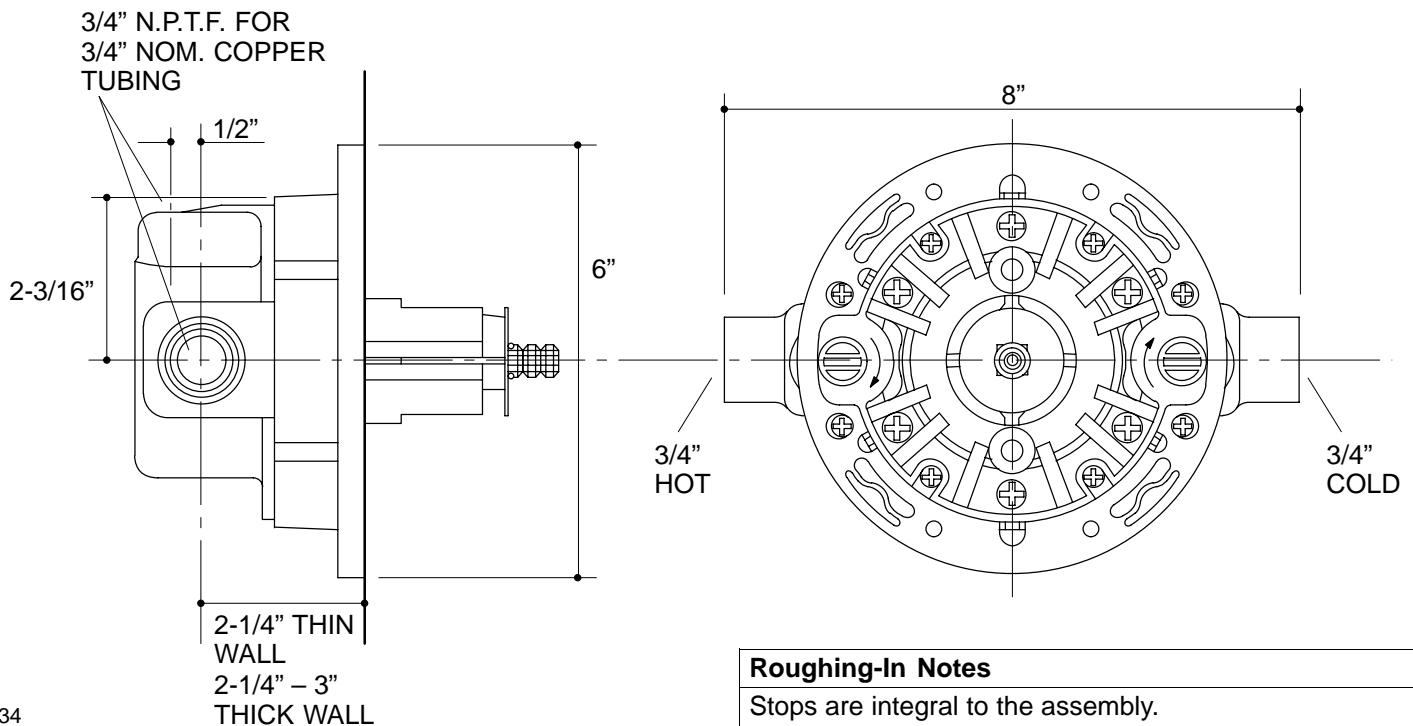
WARNING: Risk of damage to the valve assembly. When using this valve in a fiberglass or acrylic installation, use the thin wall installation kit (88526).

INSTALLATION NOTES

Avoid cross-flow conditions. Do not install shut-off device on either valve outlet.

Cap shower outlet if deck-mount spout, diverter, or handshower is connected to spout outlet.

Install straight pipe or tube drop of 7 to 18" with single elbow between valve and wall-mount spout.



34

PRODUCT DIAGRAM